



## SOLENOID VALVE PETRO 316 SS SCR BSP

Normally Open or Closed Options

Item code: S55/S56-SUP1

A high flow valve with 316 Stainless Steel body and seat, 304/430F stainless steel operator. Suitable for low head and zero head applications. Available in various seat materials including Viton (standard), Silicone, Neoprene & Nitrile. Liquids to 40cst viscosity. Standard coil is weatherproof to IP65 and has LED illuminated plug.

Typical Applications include: Marine, food processing, chemical, tank drain or low pressure service & general industry.

### S55 RANGE OPTIONS:

Model	Port Size BSP	Orifice Ømm	CV	Pressure (BAR)		Vacuum Hg*	Media Temp.	Weight kg	Features
				AC	DC				
Direct Plunger Operation - Normally Closed									
S55-2-3	1/4	3	0.26	0-10	0-10	27	-10°C to 120°C	0.45	Body: 316 S.S.  Seals: Viton (Std) Silicone Neoprene Teflon  Operator: Stainless Steel
S55-2-4		4	0.58	0-7	0-7				
S55-2-5		5	0.64	0-5	0-5				
S55-3-4	3/8	4	0.58	0-10	0-10				
S55-3-6		6	0.79	0-5	0-5				
S55-3-8		8	0.97	0-2	0-2				
S55-4-6	1/2	6	0.79	0-5	0-5			0.80	
S55-4-8		8	0.97	0-2	0-2				

#### IMPORTANT - Chemical Resistance

For specific information on chemical resistance of valve components to various Liquids and Gases, refer to the manufacturer or your distributor. It is the responsibility of the user to determine suitability of the liner and body material to the application.

# PETRO INDUSTRIAL



petroind.com

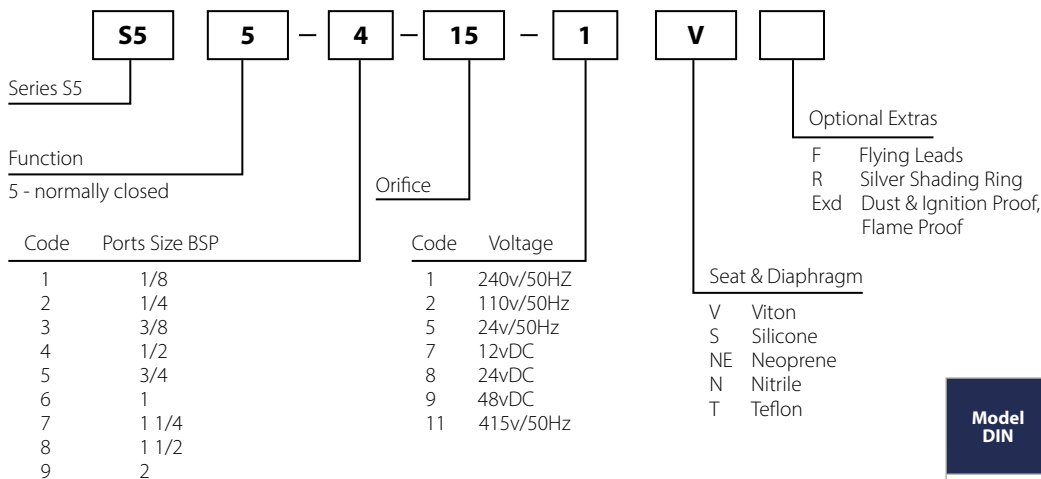


## S55 RANGE CONTINUES:

Model	Port Size BSP	Orifice Ømm	CV	Pressure (BAR)		Vacuum Hg*	Media Temp.	Weight kg	Features			
				AC	DC							
Pilot Plunger with Coupled Diaphragm - Normally Closed												
S55-3-15	3/8	15	4.5	0-10	0-10	27	-10°C to 120°C	1.00	Body: 316 Stainless Steel  Seals: Viton (Std) Silicone Neoprene Teflon  Operator: Stainless Steel	Air, Fluid, Vacuum  Also available in Normally Open		
S55-4-15	1/2							1.25				
S55-5-20	3/4	1.50										
S55-6-25	1	2.85										
S55-7-35	1 1/4	35	26	0-7	0-7			4.80				
S55-8-35	1 1/2							5.35				
S55-9-50	2	50	48	0-10	0-10			7.25				
S55-6F-25	Flange	25	13.2					0-7			0-7	10.25
S55-7F-35		35	26									
S55-8F-35		50	48									
S55-9F-50												

### IMPORTANT - Chemical Resistance

For specific information on chemical resistance of valve components to various Liquids and Gases, refer to the manufacturer or your distributor.

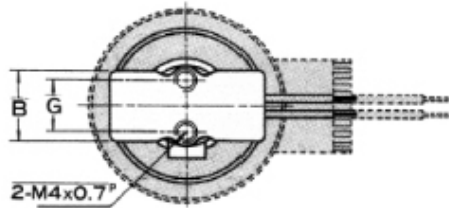
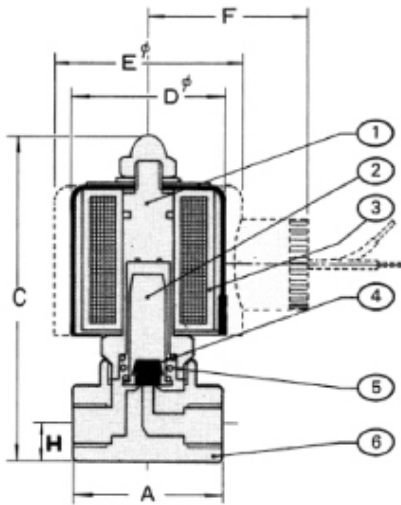


### Coil Specifications

Model DIN	Power			Insulation Grade
	AC (VA)		DC (Watt)	
	50Hz	60Hz		
S55-1 to 2	15.4	11.7	12.0	F
S55-3 to 9	24.4	19.8	17.5	F



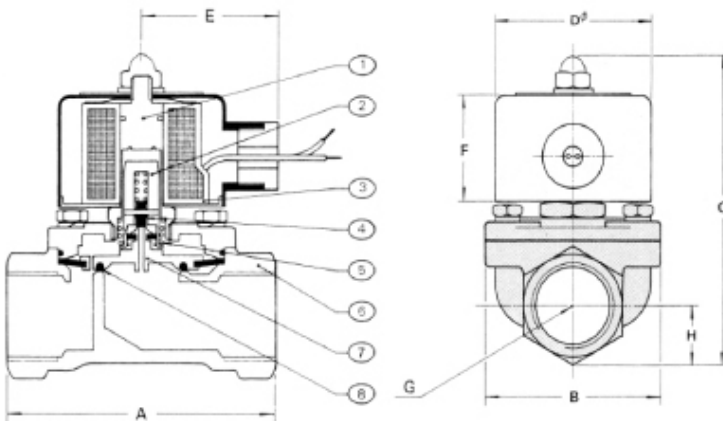
## Direct Plunger



Unit: mm

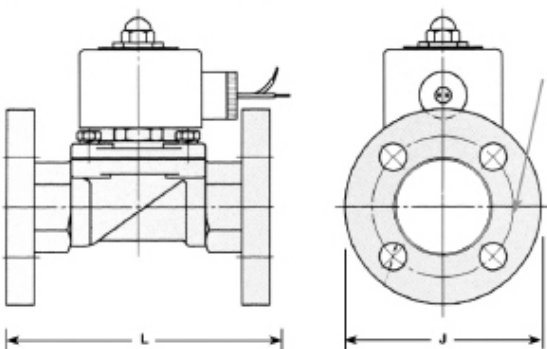
Model	A	B	C	D (DIN)	E (DIN)	F	G BSP	H
S55-2-3~5	41	19	86.5	41	-	-	1/4	10.5
S55-3-4~8	50	25	91	-	52	45	3/8	11.7
S55-4-6~8	50	27	91	-	52	45	1/2	13.0

## Coupled Diaphragm



Unit: mm

Model	A	B	C	D (DIN)	E (DIN)	F	G BSP	H
S55-3-15	75	52	103	56	66	41	1/2	14.5
S55-4-15	85	60	114	56	66	41	3/4	18
S55-5-20	100	70	120	56	66	41	1	23
S55-6-25	120	90	140	56	66	41	1 1/4	33
S55-7-35	120	90	140	56	66	41	1 1/2	33
S55-8-35	120	90	140	56	66	41	1 3/4	33
S55-9-50	150	122	160	56	66	41	2	40.4



Holes can be drilled to suit most flange tables

Model	L	J
S55-6F	130	125
S55-7F	160	135
S55-8F	160	140
S55-9F	200	155

Item	Article	Material
1	Armature	Stainless Steel 304
2	Plunger	Stainless Steel 304
3	Coil	Brass Wire
4	Plunger Seat	Viton, Silicon, Teflon, Neoprene
5	Spring	Stainless Steel 304
6	Valve Body	Stainless Steel 316
7	Diaphragm	Viton, Silicon, Neoprene
8	Leak Proof Ring	Viton, Silicon, Neoprene

# PETRO INDUSTRIAL



petroind.com

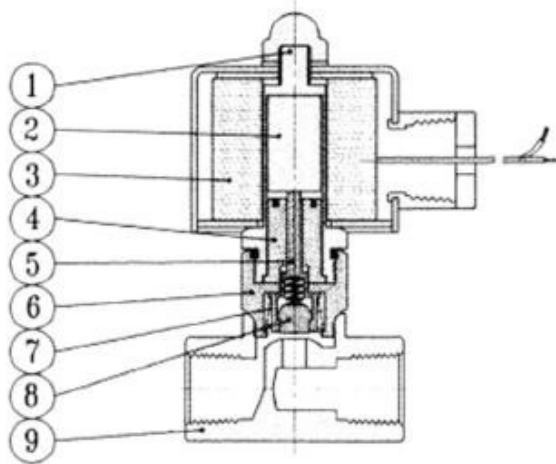


## S56 RANGE OPTIONS:

Model	Port Size BSP	Orifice Ømm	CV	Media Pressure	Media Temp.	Weight kg	Coil Specifications
Normally Open							
S56-4-15-*V	1/2	15	4.5	0.5-10 BAR	-10°C to 100°C	1.4	SC-C1 15 Volt Amps 12 Watts Class H Insulation 100% ED
S56-5-20-*V	3/4	20	9.3			1.8	
S56-6-25-*V	1	25	13.2			1.9	
S56-7-35-*V	1 1/4	35	26			3.0	
S56-8-35-*V	1 1/2	35	26			3.0	
S56-9-50-*V	2	50	48			5.1	

## S56 CONSTRUCTION:

Item	Article	Material
1	Solenoid Tube	Stainless Steel
2	Slide Core	Stainless Steel
3	Coil	Brass Wire
4	Armature Core	Stainless Steel
5	Operating Spindle	Stainless Steel
6	Joint Sleeve	Stainless Steel
7	Spring	Stainless Steel
8	Seat	Viton
9	Valve Body	Stainless Steel



## S56 DIMENSIONS:

Model	G BSP	A	B	C	F
S56-4-15-*V	1/2	75	75	129	14.5
S56-5-20-*V	3/4	85	85	140	18
S56-6-25-*V	1	100	100	146	23
S56-7-35-*V	1 1/4	120	120	166	33
S56-8-35-*V	1 1/2	120	120	166	33
S56-9-50-*V	2	150	150	186	40.5

