



ANSI 150# DN15 (1/2") to DN300 (12")

## Y STRAINER 316 STAINLESS STEEL FLANGED

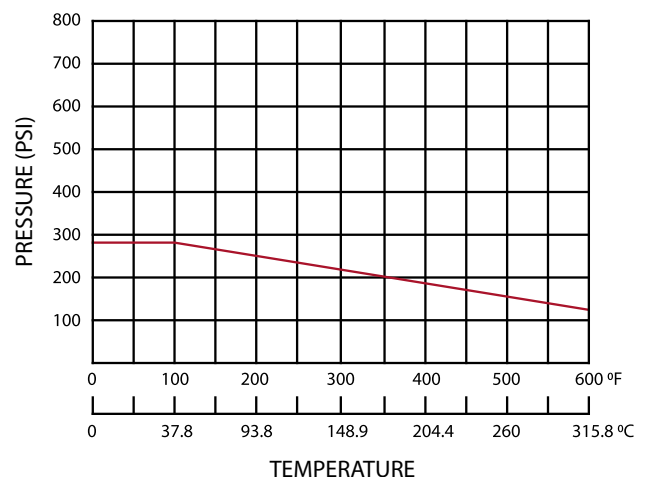
Item code: SSYF

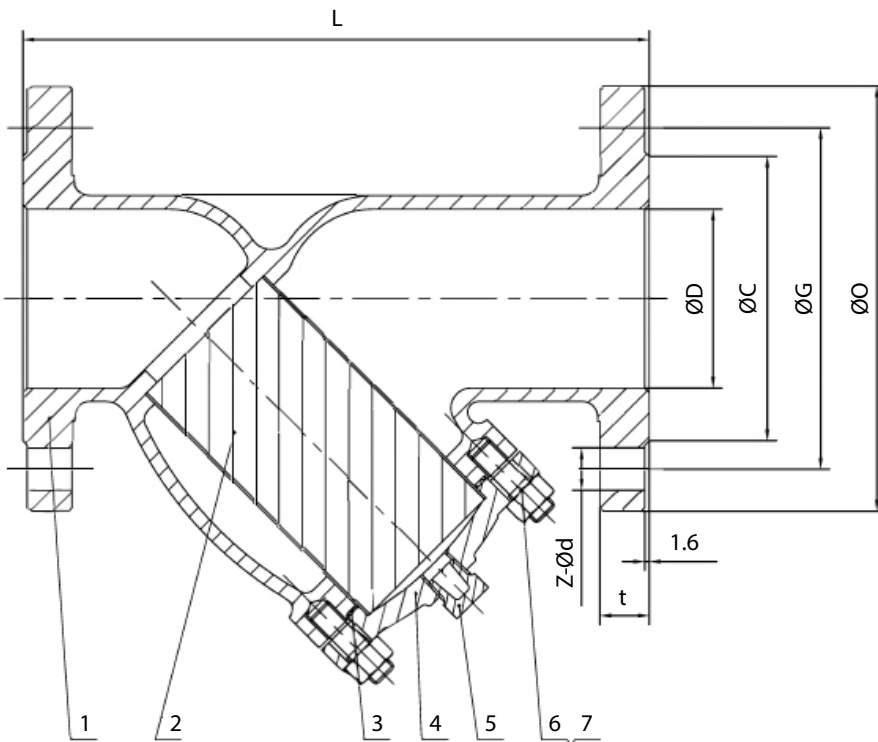
PETRO CF8M 316 Stainless Steel Y Strainer Flanged ANSI 150#. Course Pre-Equipment Strainer 1.6 perf mesh. Size Range 15mm to 300mm.

### FEATURES:

- Pressure / Temperature Rating - ANSI B16.34
- End Flange Dimensions - ANSI B16.5
- Wall Thickness - ANSI B16.34
- Investment Cast Body
- Body and Cap - A351 CF8M
- Screen - ASTM A276 SS-316
- Gasket - 304+Flexible Graphite
- Hex Nut - ASTM A194 B8
- Stud - ASTM A193 B8M
- Plug - ASTM A182 F316
- Testing - API-598
- Working Pressure - 285 psi
- Test Pressure - 428 psi - Hydrostatic

Test Pressure	Shell Test	3.0 Mpa
	Seal Test	- Mpa
	Air Test	- Mpa
	Suitable Temp.	-29 ~ 180 °C
Standard	Face to Face	Factory Standard
	End Connection	ASME B16.5
	Valve Design	ASME B16.34
	Valve Test	API 598





No.	Part	Material
1	Body	ASTM A351 CF8M
2	Net	ASTM A276 316
3	Gasket	Graphite + SS 304
4	Bonnet	ASTM A351 CF8M
5	Plug	ASTM A351 CF8M
6	Bolt	ASTM A193 B8
7	Nut	ASTM A194 8

## DIMENSIONS:

Code	NPS	DN	L	D	C	G	O	Z-Ød	t	Mesh
SSY15F	15mm (1/2")	15	130	15	35	60.5	89	4-Ø15	10	60
SSY20F	20mm (3/4")	20	145	20	43	70.0	98	4-Ø15	11	60
SSY25F	25mm (1")	25	150	25	51	79.5	108	4-Ø15	12	60
SSY32F	32mm (1 1/4")	32	180	32	64	89.0	117	4-Ø15	13	60
SSY40F	40mm (1 1/2")	40	205	38	73	98.5	127	4-Ø15	14.5	60
SSY50F	50mm (2")	50	225	50	92	120.5	152	4-Ø19	16.0	60
SSY65F	65mm (2 1/2")	65	260	65	105	139.5	178	4-Ø19	17.5	60
SSY80F	80mm (3")	80	280	78	127	152.5	190	4-Ø19	19	60
SSY100F	100mm (4")	100	300	100	157	190.5	229	8-Ø19	24	60
SSY125F	127mm (5")	125	350	125	186	216.0	254	8-Ø22	24	60
SSY150F	150mm (6")	150	385	150	216	241.3	279	8-Ø22	25.4	60
SSY200F	200mm (8")	200	485	200	270	298.5	343	8-Ø22	28.5	60
SSY250F	254mm (10")	250	550	250	324	362.0	406	12-Ø25	30.0	60
SSY300F	304.8mm (12")	300	610	300	381	432.0	483	12-Ø25	32.0	60