

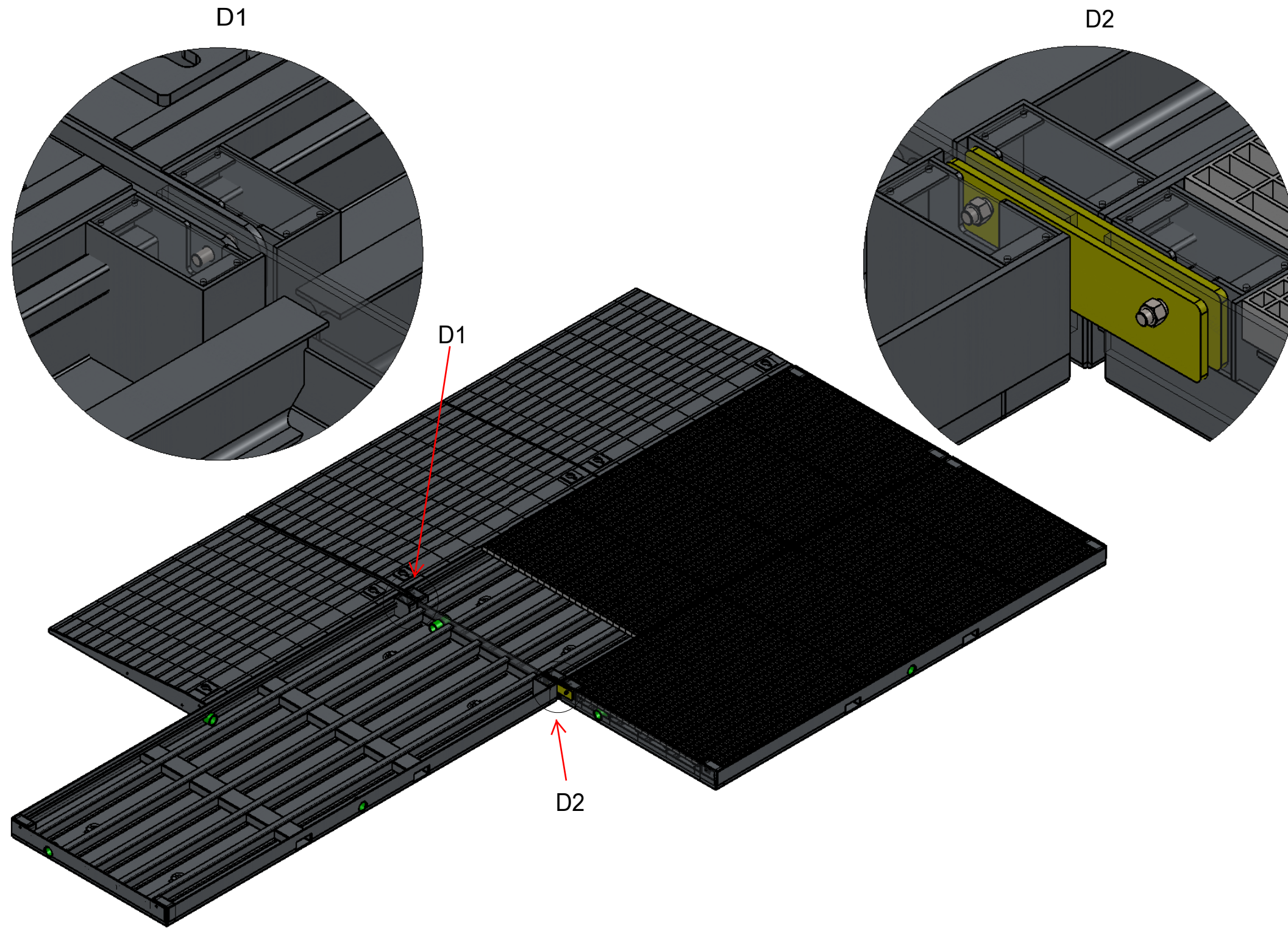
V.1.0	25/03/14	GA Drawings for Review & Approval	SY	AH	
REV:	DATE:	REVISION:	DRAWN:	CHECKED:	APPROVED:



**CONFIDENTIAL**  
This document and all information contained within it remains the property of Petro Industrial Co.Ltd and specified parties owned by Petro Industrial Co.Ltd. No part of this document may be copied without explicit consent of Petro Industrial Co.Ltd.  
 © Petro Industrial Co.Ltd 2013


DRAWN: SY	DATE: 25/03/14
CHECKED: AH	DATE: 25/03/14
APPROVED:	DATE:
CONFIGURED:	DATE:

TITLE: Cockatoo Coal Limited - Spill Units	
DRAWING NO: PIE9536 - v.1.0 - 25/03/14	REV: v.1.0
PROJECT NO: PIE9536	SHEET: 1 of 9
SCALE: Do Not Scale	A3

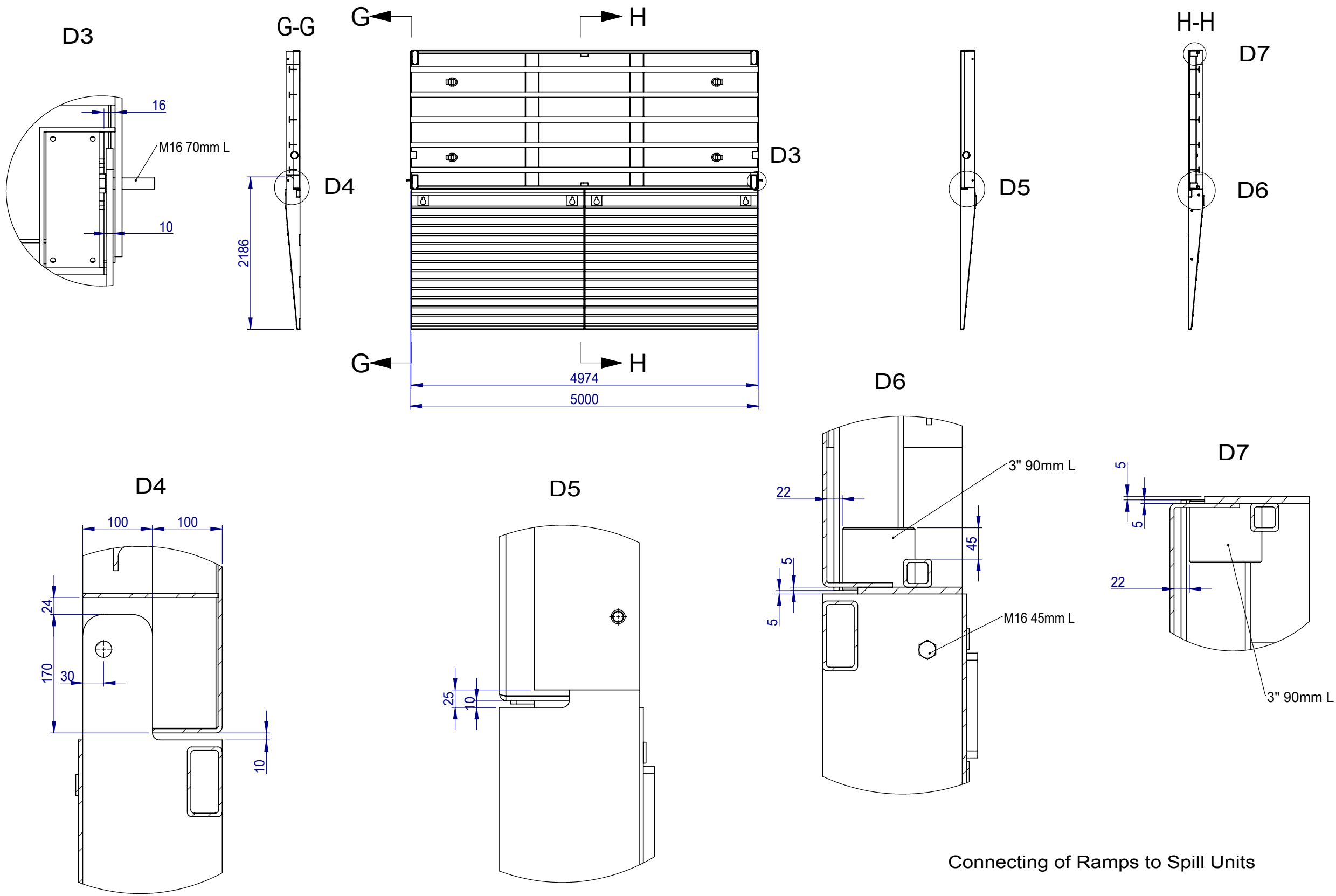


Connecting of Spill Units

V.1.0	25/03/14	GA Drawings for Review & Approval	SY	AH	
REV:	DATE:	REVISION:	DRAWN:	CHECKED:	APPROVED:

**PETRO INDUSTRIAL**  
  
**CONFIDENTIAL**  
This document and all information contained within it remains the property of Petro Industrial Co.Ltd and specified parties owned by Petro Industrial Co.Ltd. No part of this document may be copied without explicit consent of Petro Industrial Co.Ltd.  
 © Petro Industrial Co.Ltd 2013

DRAWN: SY	DATE: 25/03/14	TITLE: Cockatoo Coal Limited - Spill Units		
CHECKED: AH	DATE: 25/03/14	DRAWING NO: PIE9536 - v.1.0 - 25/03/14	REV: v.1.0	A3
APPROVED:	DATE:		SHEET: 2 of 9	
CONFIGURED:	DATE:	PROJECT NO: PIE9536	SCALE: Do Not Scale	

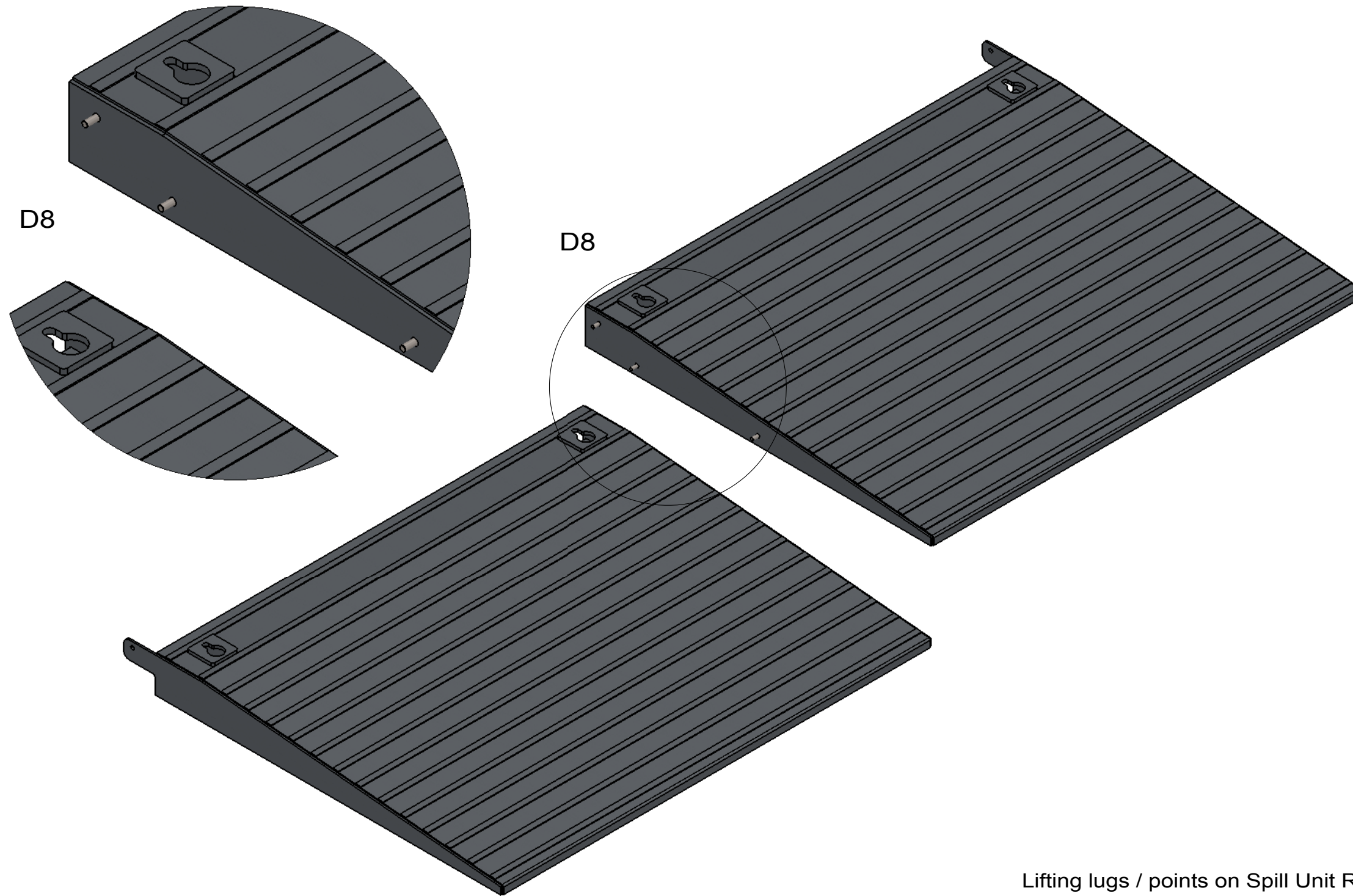


Connecting of Ramps to Spill Units

V.1.0	25/03/14	GA Drawings for Review & Approval	SY	AH	
REV:	DATE:	REVISION:	DRAWN:	CHECKED:	APPROVED:

**PETRO INDUSTRIAL**  
  
**CONFIDENTIAL**  
This document and all information contained within it remains the property of Petro Industrial Co.Ltd and specified parties owned by Petro Industrial Co.Ltd. No part of this document may be copied without explicit consent of Petro Industrial Co.Ltd.  
 © Petro Industrial Co.Ltd 2013

DRAWN: SY	DATE: 25/03/14	TITLE: Cockatoo Coal Limited - Spill Units	
CHECKED: AH	DATE: 25/03/14	DRAWING NO: PIE9536 - v.1.0 - 25/03/14	REV: v.1.0
APPROVED:	DATE:	PROJECT NO: PIE9536	SHEET: 3 of 9
CONFIGURED:	DATE:	SCALE: Do Not Scale	A3



Lifting lugs / points on Spill Unit Ramps

V.1.0	25/03/14	GA Drawings for Review & Approval	SY	AH	
REV:	DATE:	REVISION:	DRAWN:	CHECKED:	APPROVED:

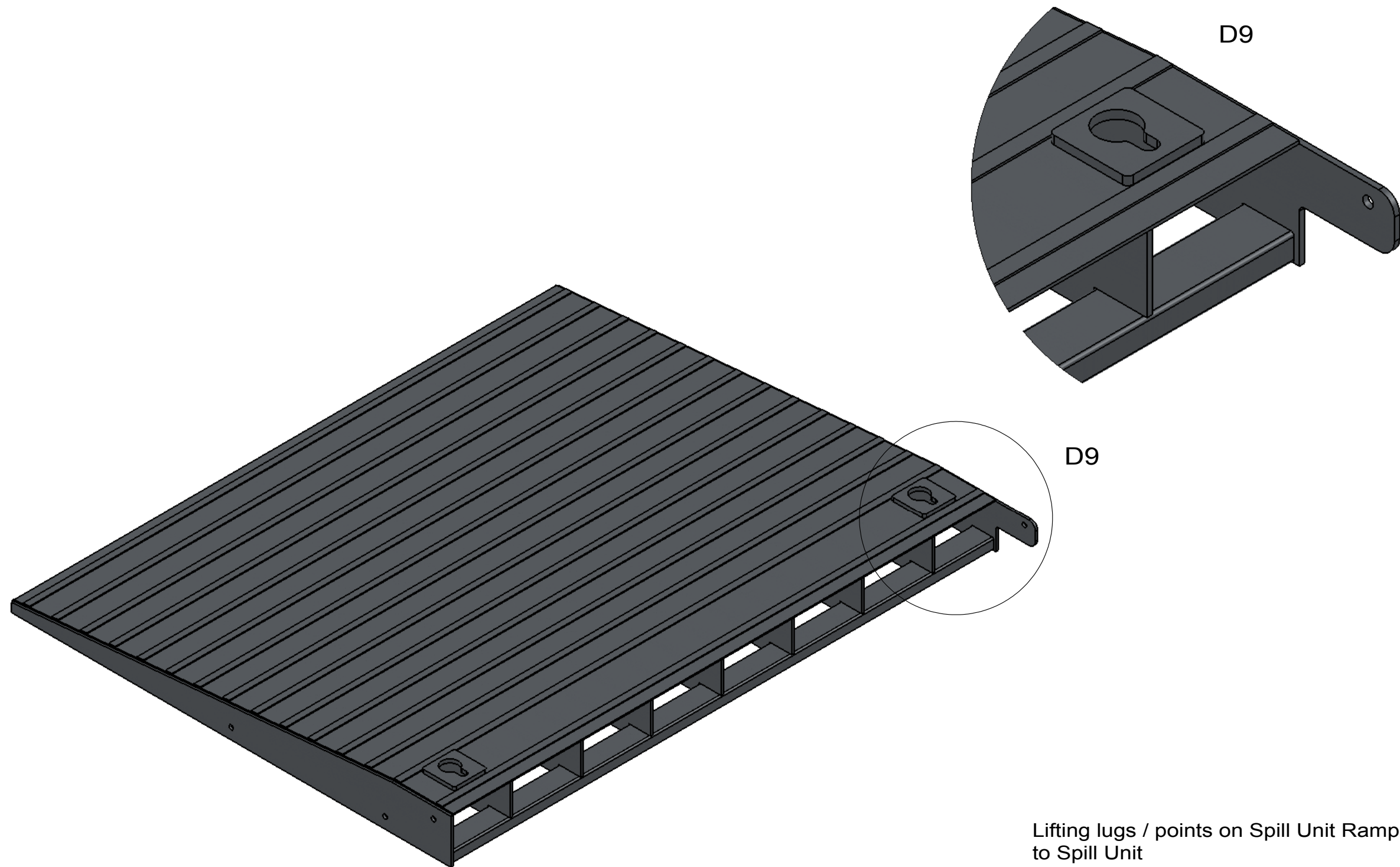


**CONFIDENTIAL**

This document and all information contained within it remains the property of Petro Industrial Co.Ltd and specified parties owned by Petro Industrial Co.Ltd. No part of this document may be copied without explicit consent of Petro Industrial Co.Ltd.

© Petro Industrial Co.Ltd 2013

DRAWN: SY	DATE: 25/03/14	TITLE: Cockatoo Coal Limited - Spill Units	
CHECKED: AH	DATE: 25/03/14	DRAWING NO: PIE9536 - v.1.0 - 25/03/14	REV: v.1.0
APPROVED:	DATE:		SHEET: 4 of 9
CONFIGURED:	DATE:	PROJECT NO: PIE9536	A3
		SCALE: Do Not Scale	



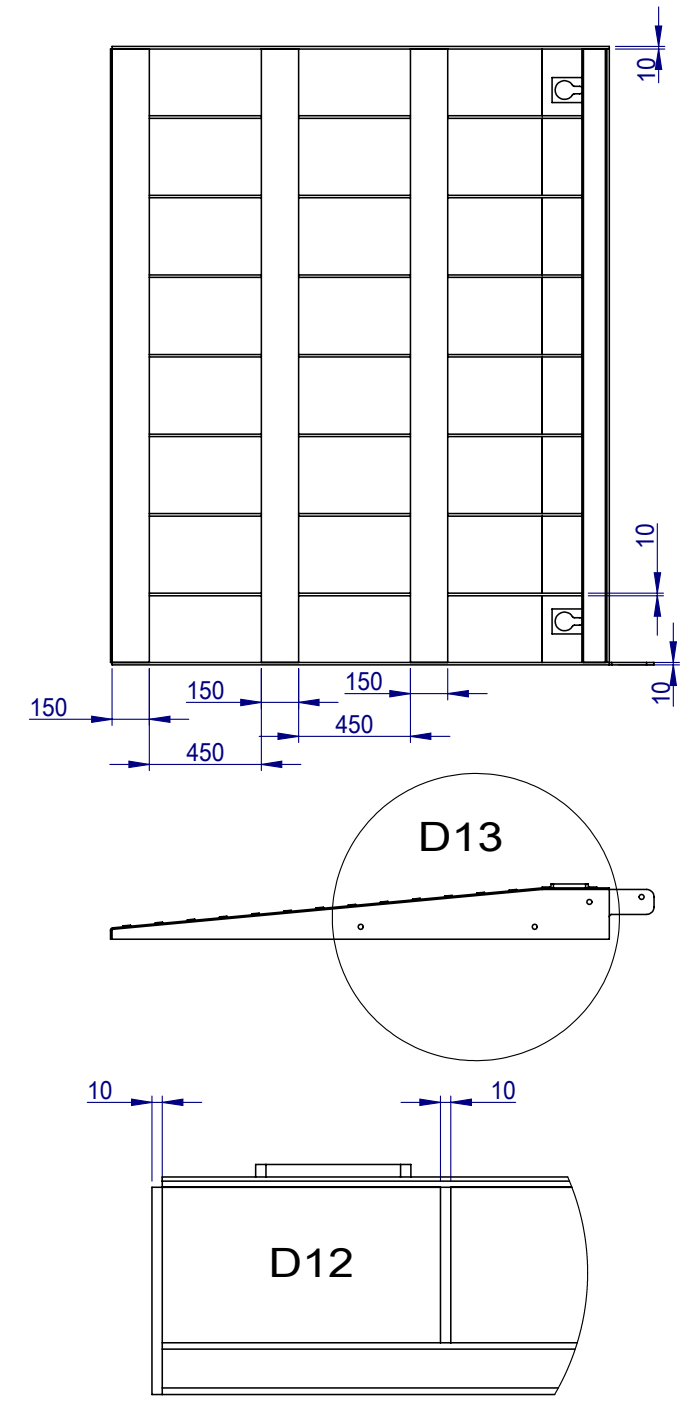
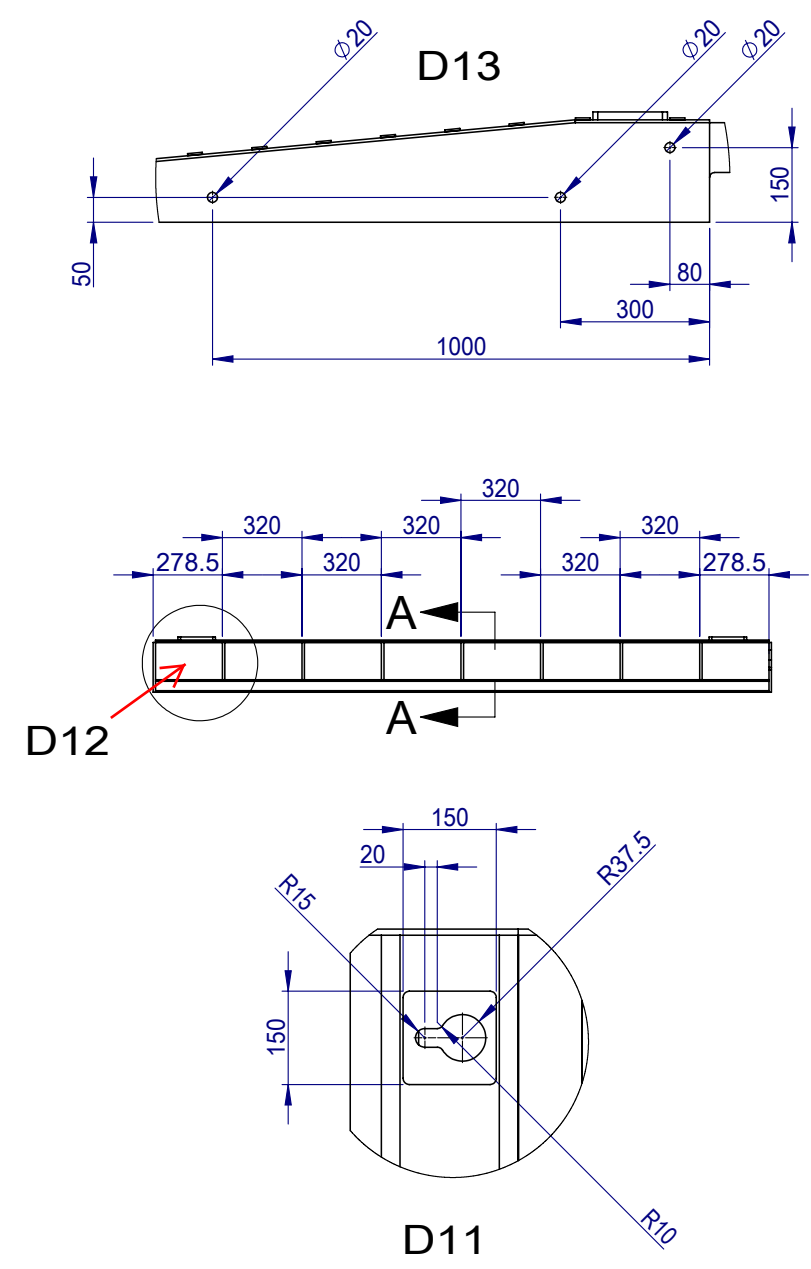
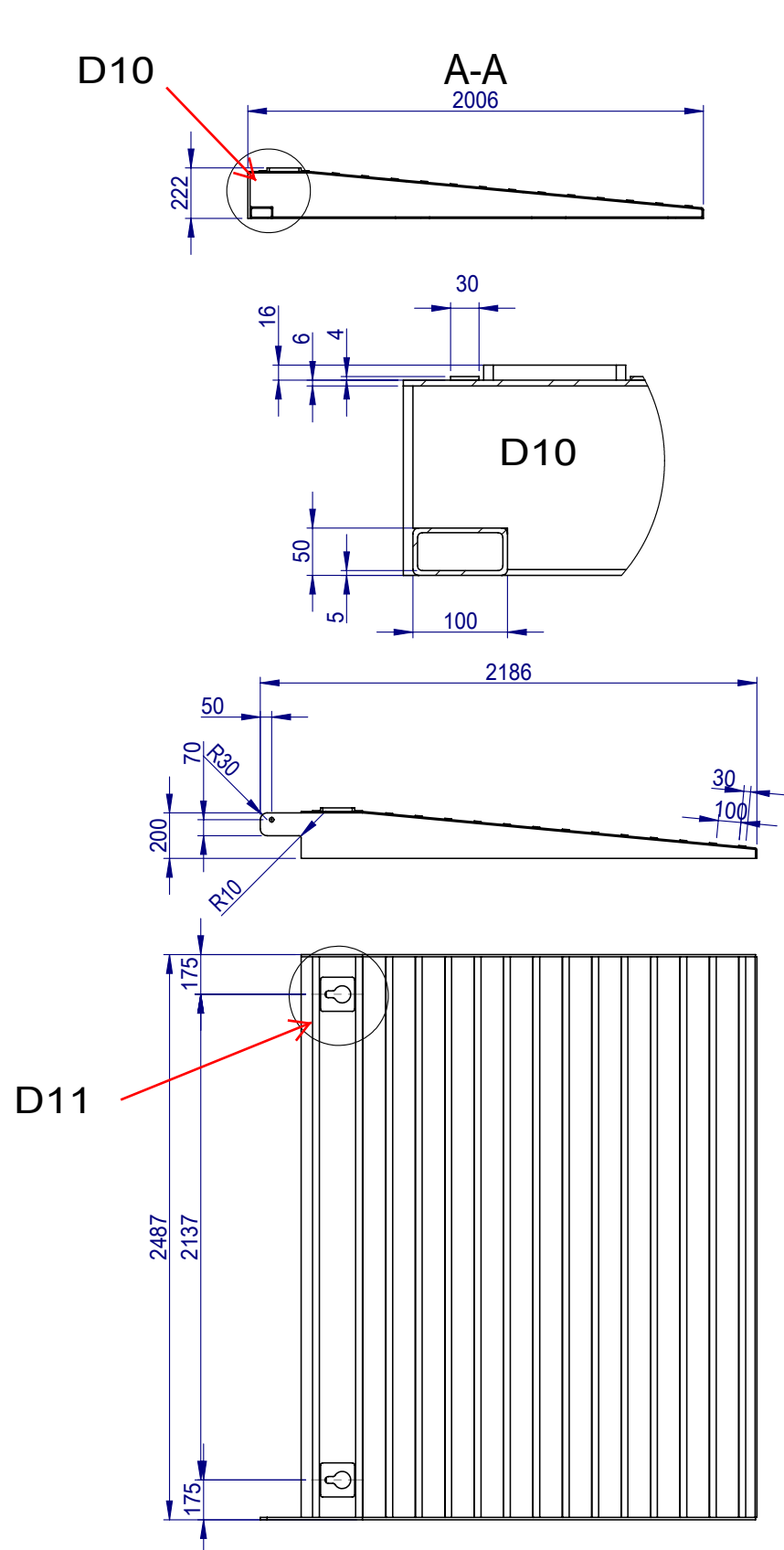
Lifting lugs / points on Spill Unit Ramps & connector plate to Spill Unit

V.1.0	25/03/14	GA Drawings for Review & Approval	SY	AH	
REV:	DATE:	REVISION:	DRAWN:	CHECKED:	APPROVED:



**CONFIDENTIAL**  
This document and all information contained within it remains the property of Petro Industrial Co.Ltd and specified parties owned by Petro Industrial Co.Ltd. No part of this document may be copied without explicit consent of Petro Industrial Co.Ltd.  
 © Petro Industrial Co.Ltd 2013

DRAWN: SY	DATE: 25/03/14	TITLE: Cockatoo Coal Limited - Spill Units		
CHECKED: AH	DATE: 25/03/14	DRAWING NO: PIE9536 - v.1.0 - 25/03/14		
APPROVED:	DATE:			
CONFIGURED:	DATE:	PROJECT NO: PIE9536	REV: v.1.0	A3
			SHEET: 5 of 9	
			SCALE: Do Not Scale	

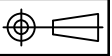


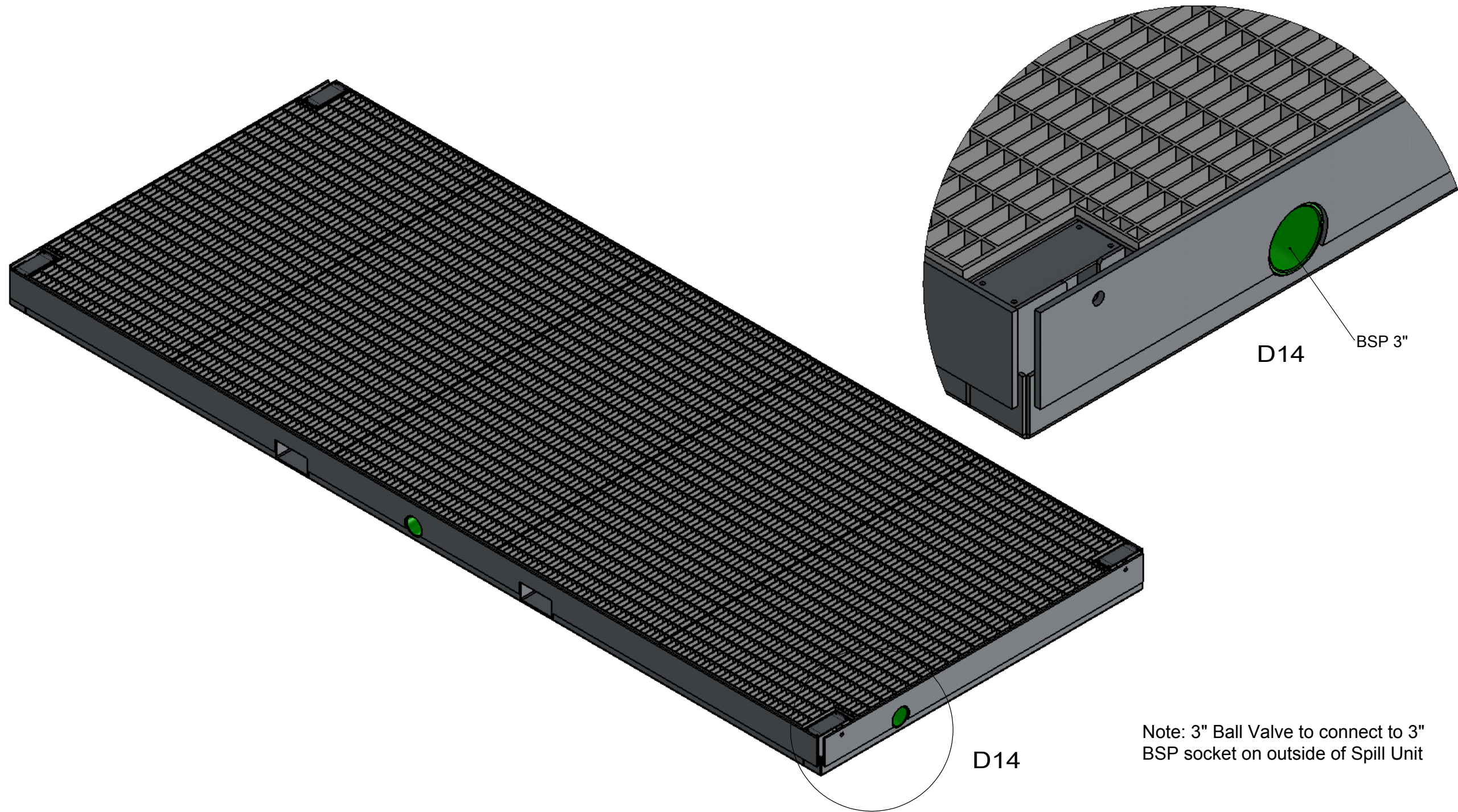
V.1.0	25/03/14	GA Drawings for Review & Approval	SY	AH	
REV:	DATE:	REVISION:	DRAWN:	CHECKED:	APPROVED:

**PETRO INDUSTRIAL**  
  
**CONFIDENTIAL**  
This document and all information contained within it remains the property of Petro Industrial Co.Ltd and specified parties owned by Petro Industrial Co.Ltd. No part of this document may be copied without explicit consent of Petro Industrial Co.Ltd.  
 © Petro Industrial Co.Ltd 2013

DRAWN: SY	DATE: 25/03/14	TITLE: Cockatoo Coal Limited - Spill Units	
CHECKED: AH	DATE: 25/03/14	DRAWING NO: PIE9536 - v.1.0 - 25/03/14	REV: v.1.0
APPROVED:	DATE:	PROJECT NO: PIE9536	SHEET: 6 of 9
CONFIGURED:	DATE:		SCALE: Do Not Scale

A3





Note: 3" Ball Valve to connect to 3" BSP socket on outside of Spill Unit

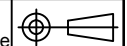
V.1.0	25/03/14	GA Drawings for Review & Approval	SY	AH	
REV:	DATE:	REVISION:	DRAWN:	CHECKED:	APPROVED:

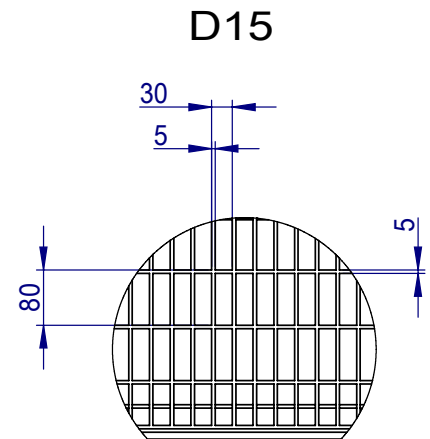
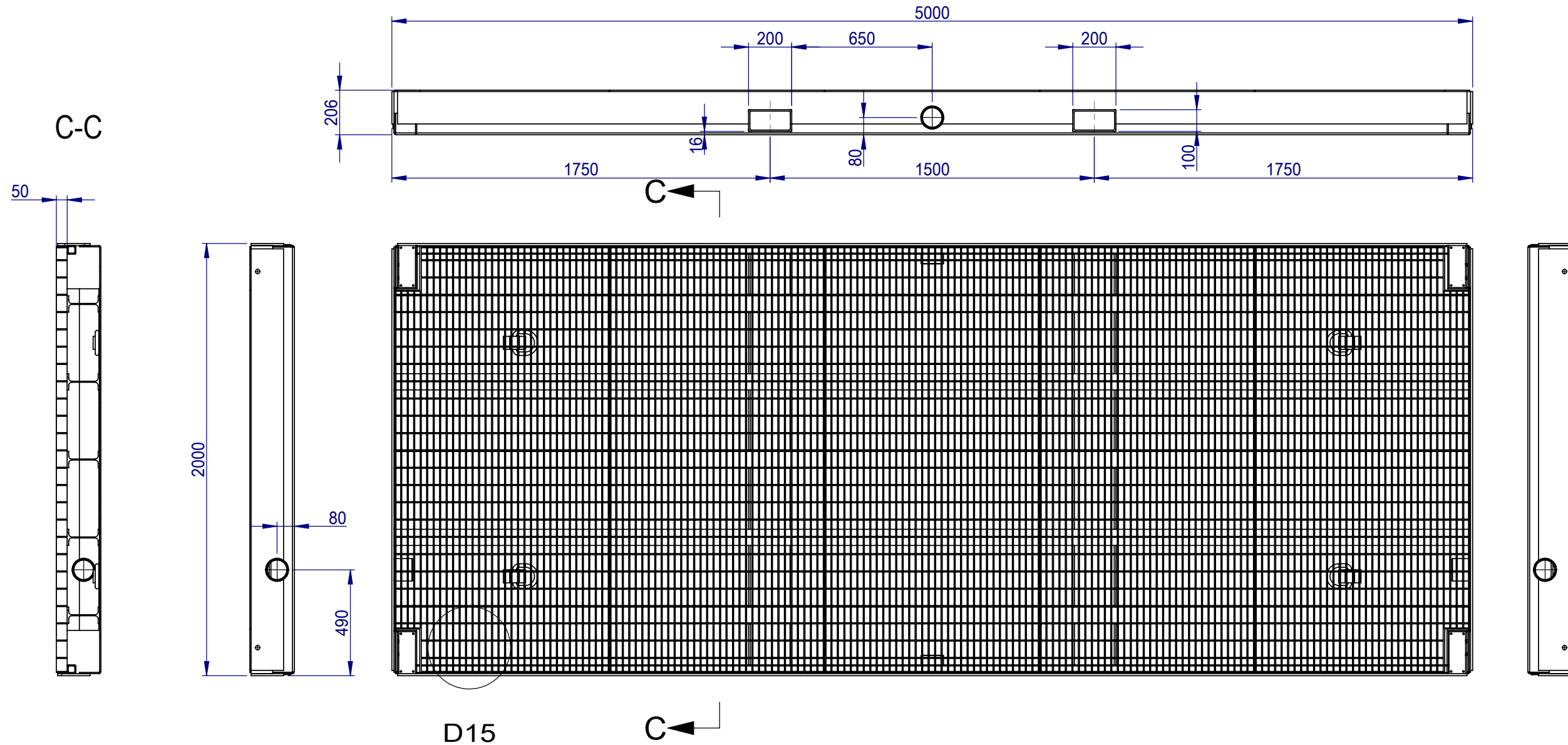


**CONFIDENTIAL**  
 This document and all information contained within it remains the property of Petro Industrial Co.Ltd and specified parties named by Petro Industrial Co.Ltd. No part of this document may be copied without explicit consent of Petro Industrial Co.Ltd.  
 © Petro Industrial Co.Ltd 2013

DRAWN: SY	DATE: 25/03/14	TITLE: Cockatoo Coal Limited - Spill Units	
CHECKED: AH	DATE: 25/03/14	DRAWING NO: PIE9536 - v.1.0 - 25/03/14	REV: v.1.0
APPROVED:	DATE:		SHEET: 7 of 9
CONFIGURED:	DATE:	PROJECT NO: PIE9536	SCALE: Do Not Scale

A3



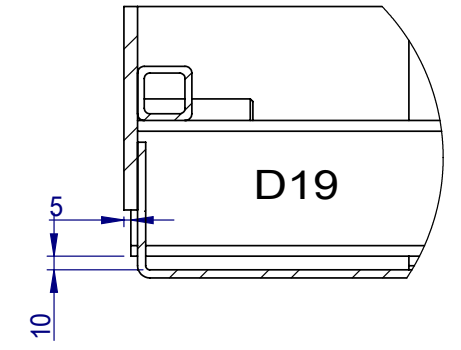
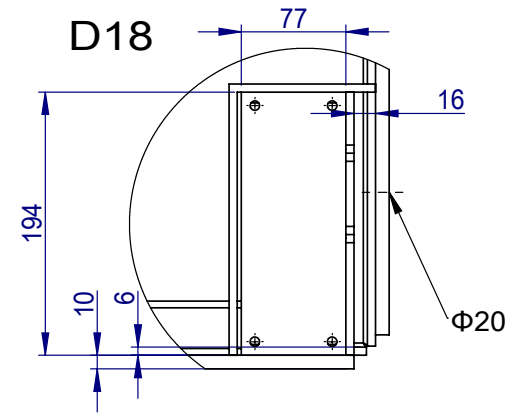
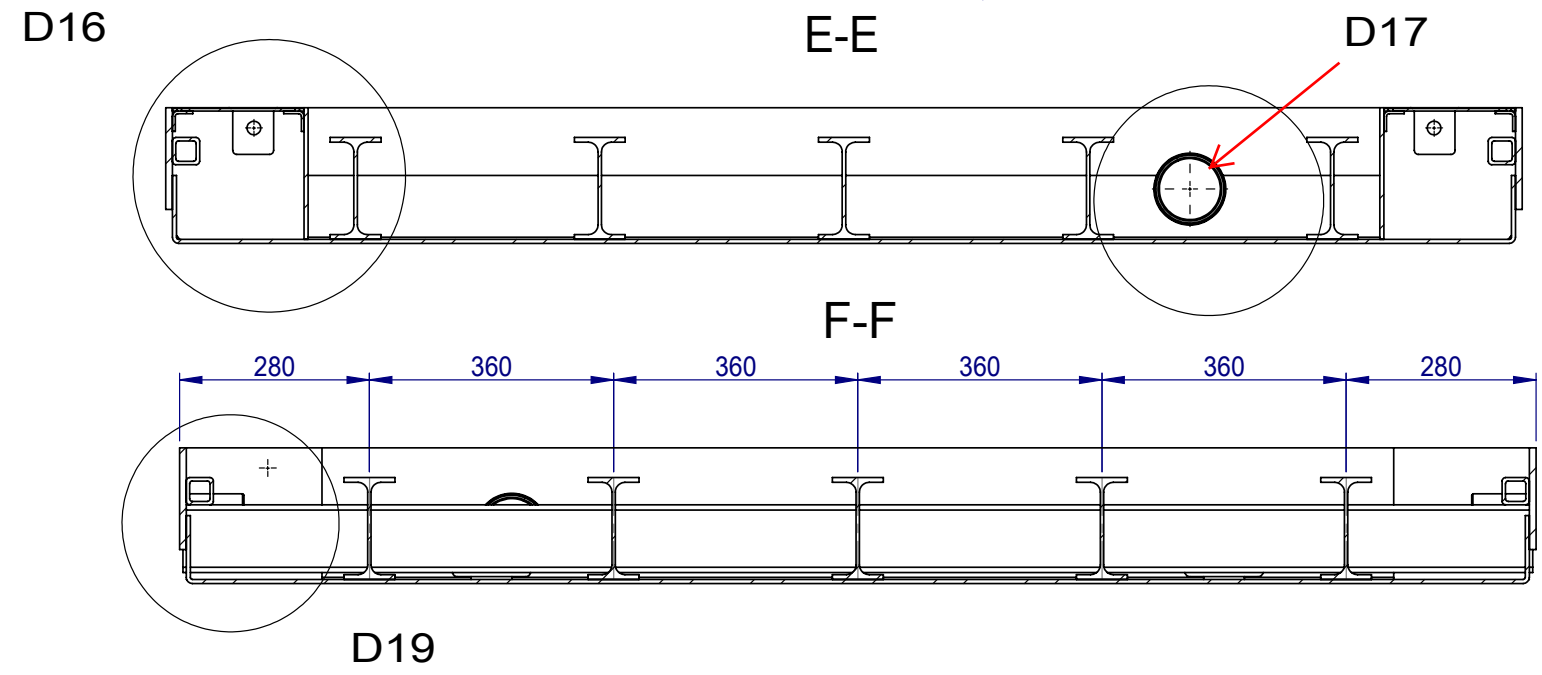
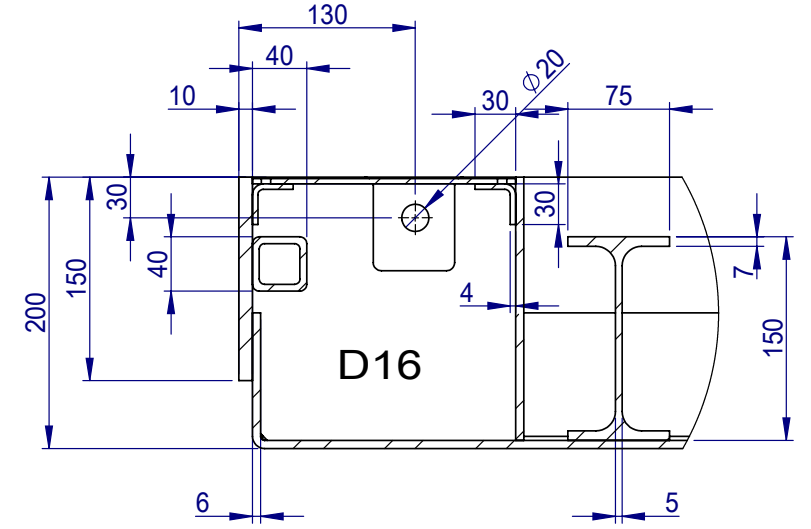
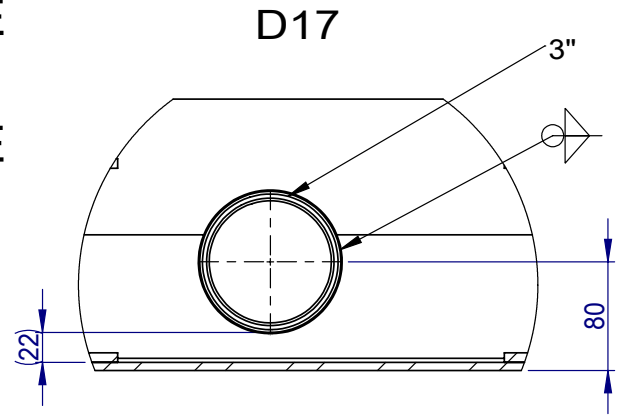
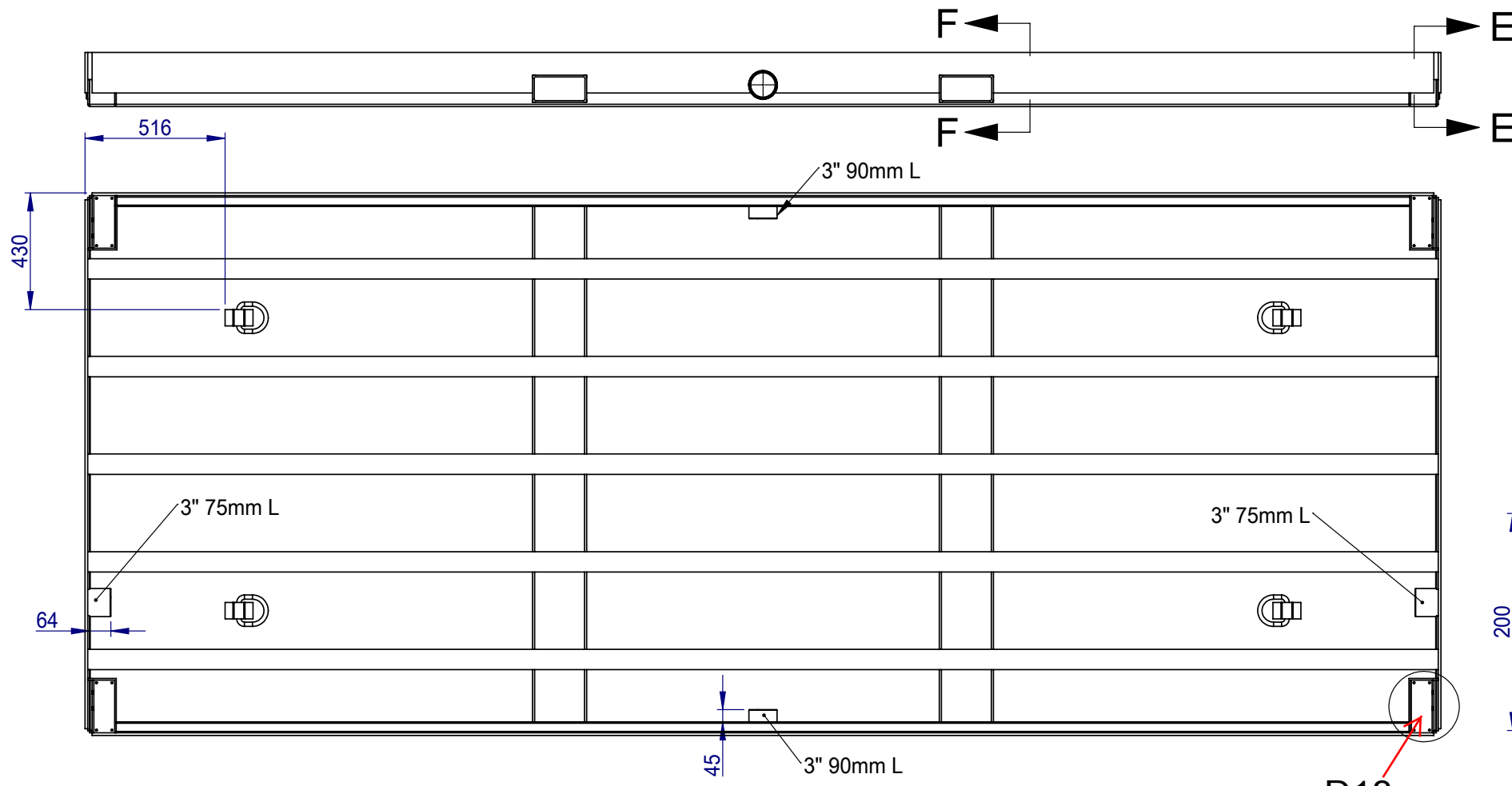


V.1.0	25/03/14	GA Drawings for Review & Approval	SY	AH	
REV:	DATE:	REVISION:	DRAWN:	CHECKED:	APPROVED:

**PETRO INDUSTRIAL**  
 000%  
 CONFIDENTIAL  
This document and all information contained within it remains the property of Petro Industrial Co.Ltd and specified parties owned by Petro Industrial Co.Ltd. No part of this document may be copied without explicit consent of Petro Industrial Co.Ltd.  
 © Petro Industrial Co.Ltd 2013

DRAWN: SY	DATE: 25/03/14	TITLE: Cockatoo Coal Limited - Spill Units	
CHECKED: AH	DATE: 25/03/14	DRAWING NO: PIE9536 - v.1.0 - 25/03/14	REV: v.1.0
APPROVED:	DATE:		SHEET: 8 of 9
CONFIGURED:	DATE:	PROJECT NO: PIE9536	SCALE: Do Not Scale
			A3





V.1.0	25/03/14	GA Drawings for Review & Approval	SY	AH	
REV:	DATE:	REVISION:	DRAWN:	CHECKED:	APPROVED:

**PETRO INDUSTRIAL**  
  
**CONFIDENTIAL**  
This document and all information contained within it remains the property of Petro Industrial Co.Ltd and specified parties owned by Petro Industrial Co.Ltd. No part of this document may be copied without explicit consent of Petro Industrial Co.Ltd.  
 © Petro Industrial Co.Ltd 2013

DRAWN: SY	DATE: 25/03/14	TITLE: Cockatoo Coal Limited - Spill Units	
CHECKED: AH	DATE: 25/03/14	DRAWING NO: PIE9536 - v.1.0 - 25/03/14	REV: v.1.0
APPROVED:	DATE:		SHEET: 9 of 9
CONFIGURED:	DATE:	PROJECT NO: PIE9536	SCALE: Do Not Scale

A3