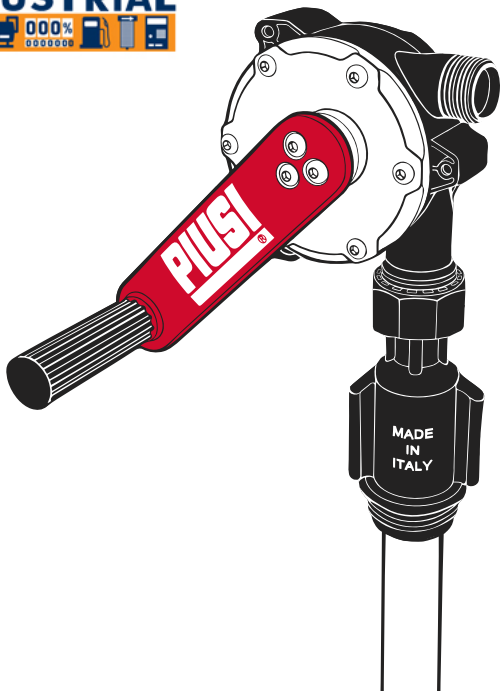


# PIUSI<sup>®</sup>

*Fluid Handling  
Innovation*

**Oil-Diesel  
VERSION**

**PETRO  
INDUSTRIAL**

A horizontal bar containing several icons: a fuel nozzle, a truck, a fuel pump, a fuel tank, and a fuel dispenser. The text '000%' is prominently displayed in the center of the bar.

**PIUSI HAND PUMP** | User instructions

## PIUSI HAND PUMP

Stainless steel + technopolymer rotary hand pump with extremely stable and practical drum connector.

NOT dismountable pump.

To protect operators, prevent possible damage and before carrying out any operation, it is indispensable to have read and fully understood the instruction manual.



### WARNING

When flammable liquids are present in the working area, they might generate flammable vapours which could cause fires or explosions while using the pump.

#### To prevent risk of fire and explosion

Use the station in ventilated areas only.

Keep the working area free of residues, including manufacturing scraps and solvent or petrol tanks.

All devices placed in the working area must be earthed.

Should sparks be generated, interrupt immediately each and every activity. Do not use the pump unless the failure has been detected and solved.

Keep a fire extinguisher at hand in the working area.

#### Unintended use

The incorrect use of the device might cause death or severe injuries; do not use the unit when tired, on drugs or after drinking spirits.

Do not alter or modify the device. Alterations or modifications to the device may invalidate its type-approval and result in dangers to safety.

Make sure that hoses are not routed close to high-traffic areas, sharp edges, moving parts or hot surfaces. Do not bend hoses. It is strictly forbidden to hold or transport the system by means of the hoses connected to it.

Keep children and animals far from the working area.

During supply, do not smoke or use open flames. Observe all applicable safety regulations.

## PERMITTED FLUIDS

Diesel - Oil (max viscosity 500 cSt)

## TECHNICAL FEATURES

Flow rate **38 liters (10 gal) / 100 revolutions**

Operating temperature **-5°C / +45°C (+23°F / +113°F)**



### WARNING

Risk of fumes and toxic fluids: keep the treated liquids in suitable containers, in compliance with the relevant regulations.

Prolonged contact with the treated product may cause skin irritation; always wear protective gloves during dispensing.

## FIRST AID RULES

**Contact with the product:** in the event of problems deriving from INJECTION, INHALATION, INGESTION or contact of the handled product with the EYES or SKIN, consult the respective SAFETY DATA SHEET.

## GENERAL SAFETY RULES

### Essential protective equipment characteristics

Wear protective equipment according to the info below:

- suited to the operations that need to be performed;
- resistant to cleaning products.

### Personal protective equipment that must be worn during handling and installation:



safety shoes



protective gloves



instruction  
manual

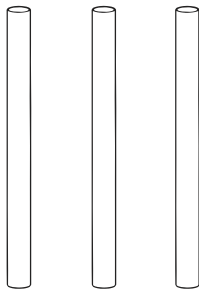
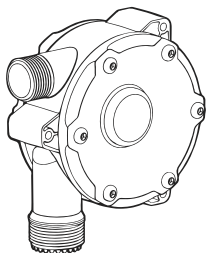


close-fitting clothing



safety goggles

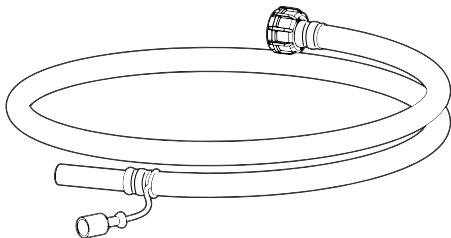
## PACKAGE CONTENTS



## ADDITIONAL CONTENTS

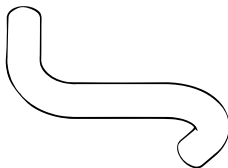
Oil-Diesel

**HOSE**  
VERSION

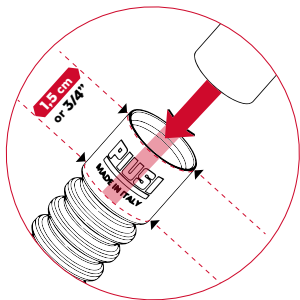
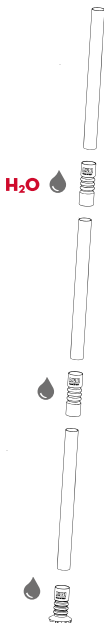


Oil-Diesel

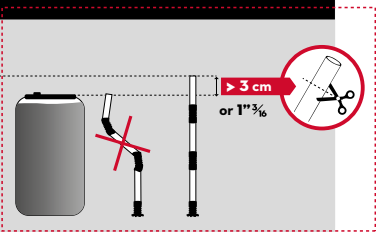
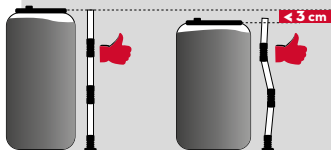
**SPOUT**  
**FITTING**  
VERSION



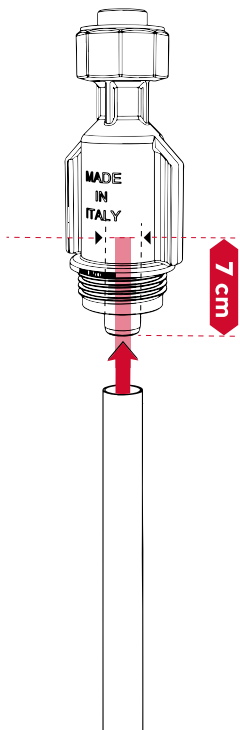
**1**



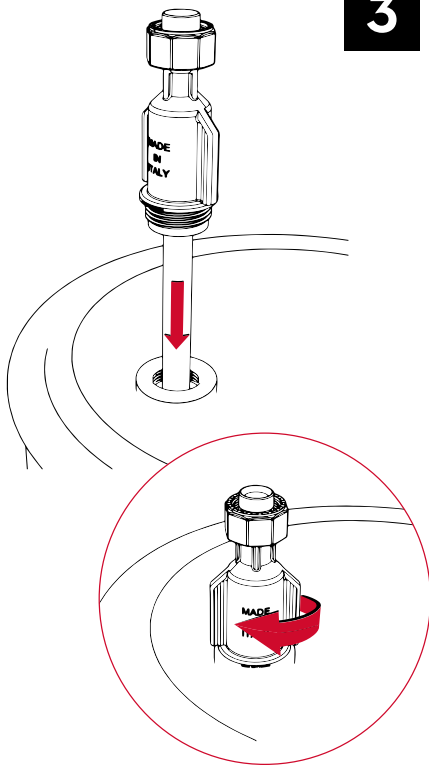
**WARNING**



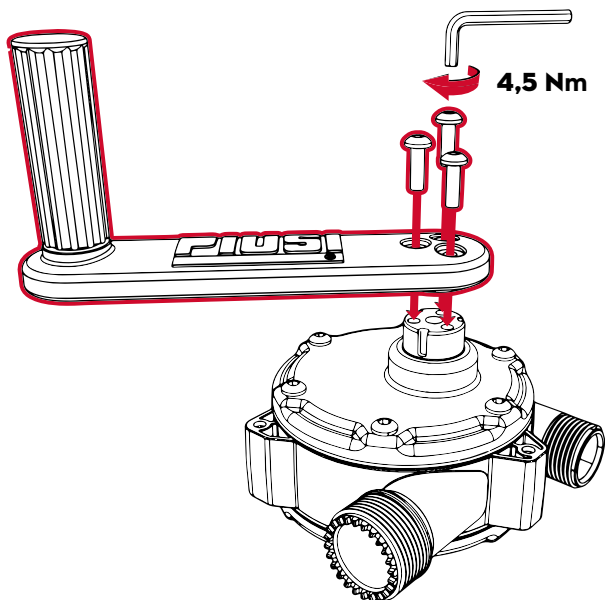
**2**



**3**



**4**

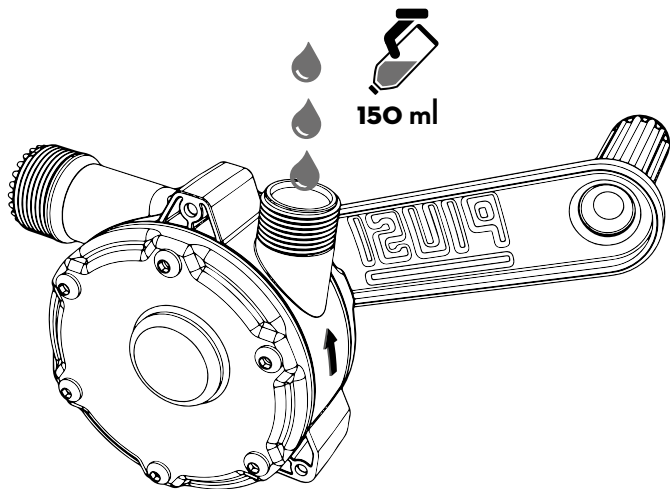




**5**

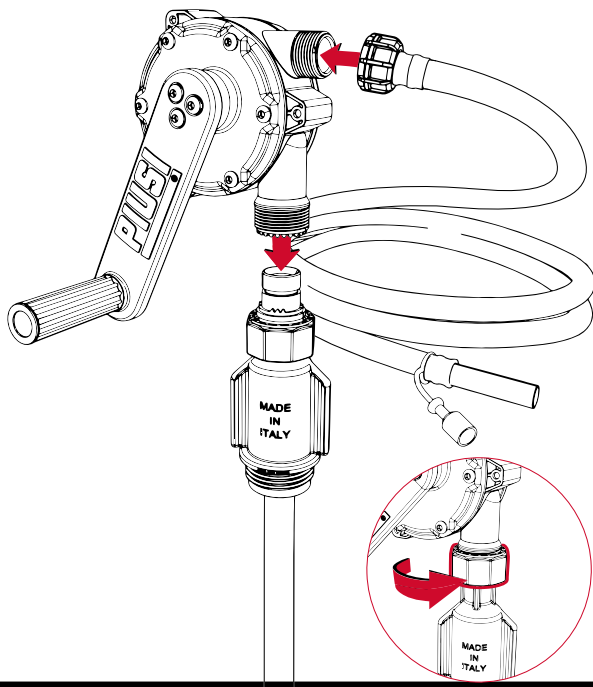
**EN.** Fill the pump with the operating fluid.  
**FR.** Remplir avec le fluide de service.  
**DE.** Mit der Betriebsflüssigkeit füllen.

**IT.** Riempire con il liquido di utilizzo.  
**ES.** Llene con el líquido de utilización.  
**PT.** Encher com o líquido de utilização.



**6**

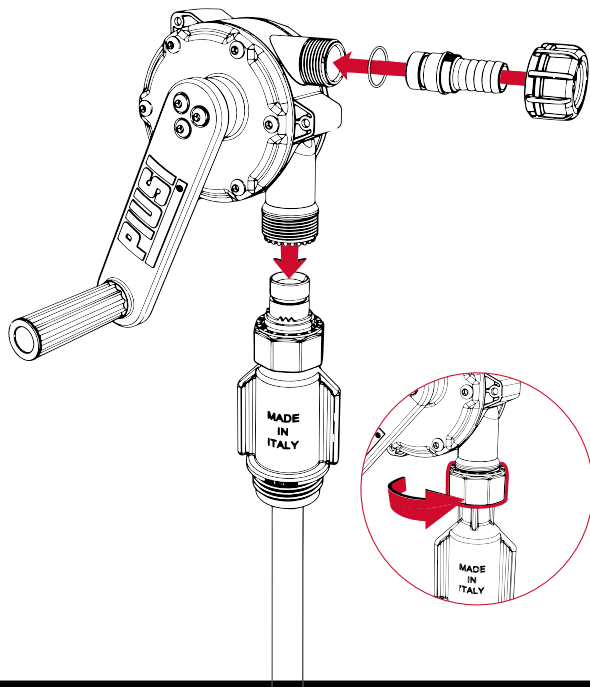
Oil-Diesel  
**HOSE**  
VERSION



**6**

**Oil-Diesel**

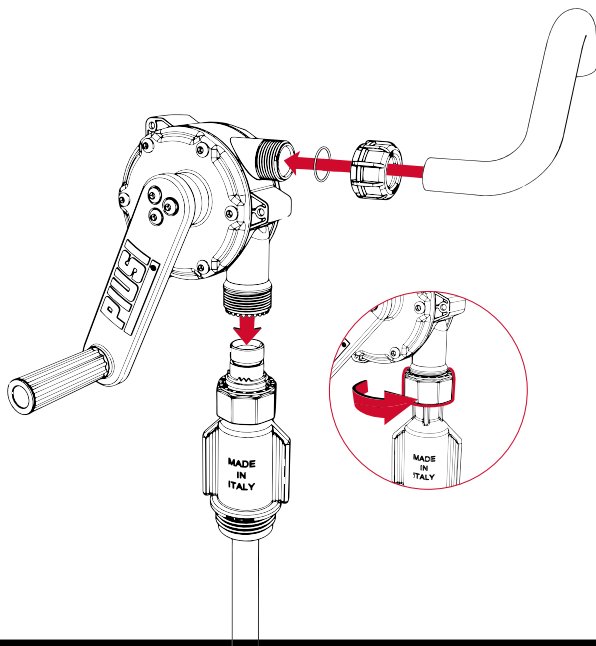
**SPOUT  
FITTING  
VERSION**

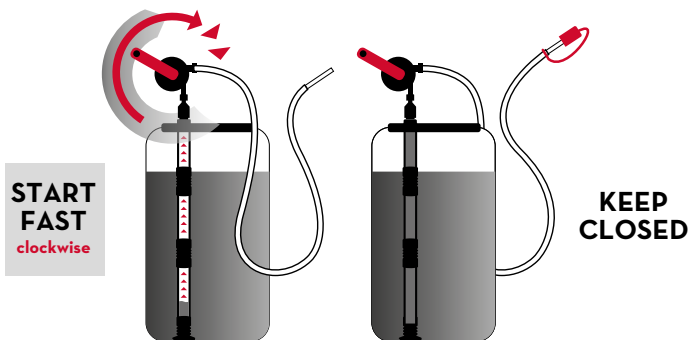


**6**

**Oil-Diesel**

**SPOUT  
FITTING  
VERSION**





## WARNING

**EN.** If the pump fails to draw in fluid check that the system is assembled correctly (points 1, 2, 3 and 6), that the pump is full of operating fluid (point 5) and that you have turned the pump handle sufficiently fast.

**FR.** Si la pompe n'aspire pas, contrôler que le système est monté correctement (points 1, 2, 3 et 6), que la pompe est remplie de fluide (point 5), et qu'elle ait tourné suffisamment vite.

**DE.** Sollte die Pumpe nicht ansaugen, den vorschrittsmäßigen Einbau des Systems (Punkte 1, 2, 3 und 6), die Füllung der Pumpe mit der Betriebsflüssigkeit (Punkt 5) und die ausreichend schnelle Drehung nachweisen.

**IT.** Se la pompa non aspira verificare che il sistema sia stato montato correttamente (punti 1, 2, 3 e 6), che la pompa sia riempita del liquido di utilizzo (punto 5) e di aver girato in modo sufficientemente veloce.

**ES.** Si la bomba no aspira, controle que el sistema esté bien montado (puntos 1, 2, 3 y 6), que la bomba se haya llenado con el líquido de utilización (punto 5) y que gire a la velocidad adecuada.

**PT.** Se a bomba não aspira, verifique se o sistema está montado corretamente (pontos 1, 2, 3 e 6), se a bomba esteja cheia de líquido de utilização (ponto 5) e de ter girado rápido o suficiente.

© PIUSI S.p.A.

**EN.** This document has been drawn up with the greatest attention to precision and accuracy of all data herein contained. Nevertheless, PIUSI S.p.A. denies liability for any possible mistake or omission.

**FR.** Ce document a été rédigé avec la plus grande attention quant à l'exactitude des données qu'il contient. PIUSI S.p.A. n'assume aucune responsabilité pour les éventuelles erreurs et omissions.

**DE.** Die vorliegende Unterlage wurde mit größter Aufmerksamkeit abgefasst, was die Genauigkeit der darin enthaltenen Daten anbetrifft. Die Firma PIUSI S.p.A. übernimmt keine Haftung für etwaige Fehler oder Auslassungen.

**IT.** Il presente documento è stato redatto con la massima attenzione circa la precisione dei dati in esso contenuti. Tuttavia, PIUSI S.p.A. non si assume responsabilità per eventuali errori ed omissioni.

**ES.** El presente documento ha sido redactado prestando la máxima atención a la precisión de los datos en él contenidos. PIUSI S.p.A. no se hace responsable de posibles errores y omisiones.

**PT.** O presente documento foi resumido com máxima atenção sobre a precisão dos dados contidos. Todavia, a PIUSI S.p.A. não é responsável por eventuais erros ou omissões.



*Fluid Handling  
Innovation*

# PETRO Contact Information

## AFRICA

### South Africa

Factory 1 - 16 Bentonite Street  
Alrode, Alberton, Johannesburg  
South Africa  
P: +27 (0)11 864 7758  
F: +27 (0) 11 864 1649  
E: sales@petroindustrial.co.za

## AUSTRALIA

### Eastern Australia

Factory 2, 106 Potassium Street  
PO Box 407  
Narangba QLD 4504  
P: 07 3204 9558  
F: 07 3293 4852  
E: sales@petroindustrial.com.au

## UAE

### Dubai

Office LB17330, Lobby Building 17  
Jebel Ali Free Zone  
PO Box 18602  
Dubai, United Arab Emirates  
P: +971 488 76688  
F: +971 488 76932  
E: salesuae@petroind.com

### Western Australia

2 Competition Way  
Wangara WA 6065  
P: 08 6305 0855  
F: 08 6305 0319  
E: sales@petroindustrial.com.au

# PETRO INDUSTRIAL



[petroind.com](http://petroind.com)