

PETRO INDUSTRIAL



petroind.com



Air Operated LD SERIES PISTON OIL PUMPS

FEATURES:

- Range of 3:1 and 5:1 air operated piston pumps.
- Built-in thermal relief protects your equipment from thermal expansion.
- Three-inch air motor provides more power to create better flow.
- Cup and plate design eliminates the need for O-rings that wear out faster.
- Adjustable bung adaptor included.
- Air inlet and exhaust locations are easy to configure / customise for your site requirements.
- Supplied with Graco NXT air valve designed for long life and easy replacement over time.
- Pump free flow rate: 3:1 – 30Lpm / 5:1 – 24Lpm.

SPECIFICATIONS:

	3:1 LD Oil Pump	5:1 LD Oil Pump
Maximum Fluid Working Pressure	450 psi (31 bar, 3.10MPa)	750 psi (31 bar, 3.10MPa)
Fluid Pressure Ratio	3:1	5:1
Suction Lift (feet of oil)	10	10
Air Operation Range	20 to 150 psi (1.37 to 10.3 bar)	20 to 150 psi (1.37 to 10.3 bar)
Recommended Air Pressure (for max. life)	<125 psi (8.6 bar, 0.86 MPa)	<125 psi (8.6 bar, 0.86 MPa)
Max Recommended Pump Speed	120 cycles per minute	180 cycles per minute
Cycles Per Gallon/pound (l/kg)	7 cycles per liter (29G)	10 cycles per liter (37G)
Recommended Pump Speed (for max. life)	75 cycles per minute or lower	75 cycles per minute or lower
Wetted Parts	Zinc plated carbon, steel, aluminum, nitrile, polyurethane, nickel plated aluminum	
Sound Pressure Level	72.9 dB(a)	72.9 dB(a)
Sound Power Level	82 dB(a)	82 dB(a)
Approximate Weight	7 pounds (3.2 kg)	7.7 pounds (3.5 kg)
Air Inlet	1/4"	1/4"
Fluid Inlet	1"	1"
Fluid Outlet	1/2"	1/2"
Free Flow*	9 gpm	7.8 gpm

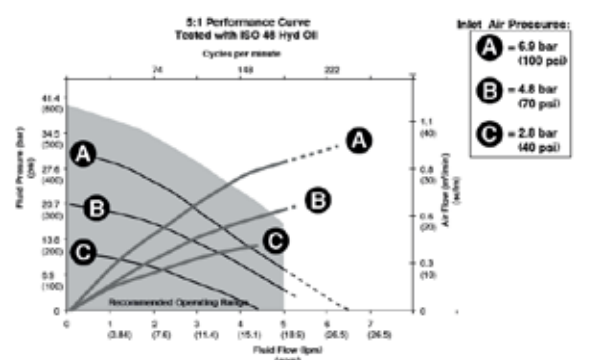
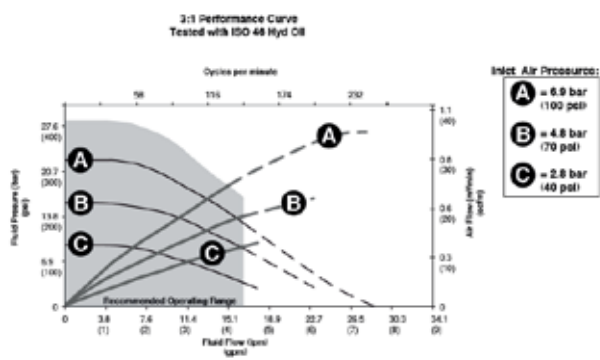
*Free flow at 150 psi air inlet pressure, using SAE 20 oil at 70° F

3:1 PRODUCT RANGE:

Code	Description
Basic Pump	
24G578	Pump Universal w/ BA
24G581	Pump Multilength
24G584	Pump 200L drum
24G587	Pump 1040L tote
Kit - Wall Mount	
24H691	Wall Mount Drum + Pump & Accessories
24H697	Wall Mount Drum + Pump & Accessories
Kit - Tote Mount Top	
24H709	Tote Mount Top + Pump, Metered Nozzle Flex, Hose Reel & Accessories
24H710	Tote Mount Top + Pump, Metered Nozzle Rigid, Hose Reel & Accessories
24H711	Tote Mount Top + Pump, Preset Metered Nozzle Flex, Hose Reel & Accessories
24H712	Tote Mount Top + Pump, Preset Metered Nozzle Rigid, Hose Reel & Accessories
Kit - Tote Mount Drain	
24H733	Tote Mount Drain + Pump, Metered Nozzle Flex, Hose Reel & Accessories
24H734	Tote Mount Drain + Pump, Metered Nozzle Rigid, Hose Reel & Accessories
24H735	Tote Mount Drain + Pump, Preset Metered Nozzle Flex, Hose Reel & Accessories
24H736	Tote Mount Drain + Pump, Preset Metered Nozzle Rigid, Hose Reel & Accessories
Kit - Cart c/w Hose Reel	
24H758	Cart + Hose Reel + Pump, Metered Nozzle Flex, Hose Reel & Accessories
24H759	Cart + Hose Reel + Pump, Metered Nozzle Rigid, Hose Reel & Accessories
24H760	Cart + Hose Reel + Pump, Preset Metered Nozzle Flex, Hose Reel & Accessories
24H761	Cart + Hose Reel + Pump, Preset Metered Nozzle Rigid, Hose Reel & Accessories
Kit - Cart no Hose Reel	
24H782	Cart + Pump, Metered Nozzle Flex & Accessories
24H783	Cart + Pump, Metered Nozzle Rigid & Accessories
24H784	Cart + Pump, Preset Metered Nozzle Flex & Accessories
24H785	Cart + Pump, Preset Metered Nozzle Rigid & Accessories
Kit - Drum Dispensing	
24H807	Drum Dispensing Kit + Pump, Metered Nozzle Flex & Hose Kit
24H808	Drum Dispensing Kit + Pump, Metered Nozzle Rigid & Hose Kit
24H809	Drum Dispensing Kit + Pump, Preset Metered Nozzle Flex & Hose Kit
24H810	Drum Dispensing Kit + Pump, Preset Metered Nozzle Rigid & Hose Kit

5:1 PRODUCT RANGE:

Code	Description
Basic Pump	
24G590	Pump Universal w/ BA
24G593	Pump Multilength
24G596	Pump 200L drum
24G599	Pump 1040L tote
Kit - Wall Mount	
24H838	Wall Mount Drum + Pump & Accessories
24H844	Wall Mount Drum + Pump & Accessories
Kit - Tote Mount Top	
24H875	Tote Mount Top + Pump, Metered Nozzle Flex, Hose Reel & Accessories
24H876	Tote Mount Top + Pump, Metered Nozzle Rigid, Hose Reel & Accessories
24H877	Tote Mount Top + Pump, Preset Metered Nozzle Flex, Hose Reel & Accessories
24H878	Tote Mount Top + Pump, Preset Metered Nozzle Rigid, Hose Reel & Accessories
Kit - Tote Mount Drain	
24H900	Tote Mount Drain + Pump, Metered Nozzle Flex, Hose Reel & Accessories
24H899	Tote Mount Drain + Pump, Metered Nozzle Rigid, Hose Reel & Accessories
24H901	Tote Mount Drain + Pump, Preset Metered Nozzle Flex, Hose Reel & Accessories
24H902	Tote Mount Drain + Pump, Preset Metered Nozzle Rigid, Hose Reel & Accessories
Kit - Cart c/w Hose Reel	
24H923	Cart + Hose Reel + Pump, Metered Nozzle Flex, Hose Reel & Accessories
24H924	Cart + Hose Reel + Pump, Metered Nozzle Rigid, Hose Reel & Accessories
24H925	Cart + Hose Reel + Pump, Preset Metered Nozzle Flex, Hose Reel & Accessories
24H926	Cart + Hose Reel + Pump, Preset Metered Nozzle Rigid, Hose Reel & Accessories
Kit - Cart no Hose Reel	
24H948	Cart + Pump, Metered Nozzle Flex & Accessories
24H949	Cart + Pump, Metered Nozzle Rigid & Accessories
24H950	Cart + Pump, Preset Metered Nozzle Flex & Accessories
24H951	Cart + Pump, Preset Metered Nozzle Rigid & Accessories
Kit - Drum Dispensing	
24H972	Drum Dispensing Kit + Pump, Metered Nozzle Flex & Hose Kit
24H973	Drum Dispensing Kit + Pump, Metered Nozzle Rigid & Hose Kit
24H974	Drum Dispensing Kit + Pump, Preset Metered Nozzle Flex & Hose Kit
24H975	Drum Dispensing Kit + Pump, Preset Metered Nozzle Rigid & Hose Kit





Drum – Wall Mount



Drum – Top Mount



IBC – Wall Mount



IBC – Top Mount



IBC – Side Mount



Cart Pack – No Reel



Cart Pack – with Reel



Manual Dispense Meter
Rigid or Flexible



Preset Dispense Meter
Rigid or Flexible



LD Hose Reel

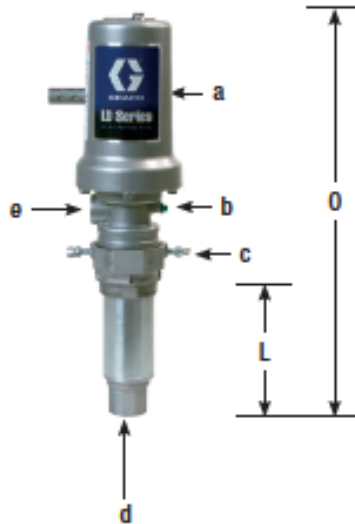
DIMENSIONS:

Model	L Length	O Overall Length
Universal Pump Only	175 mm (6.9 in)	406 mm (16 in)
Multi*	1076 mm (42.4 in)	1307 mm (51.5 in)
Drum	907 mm (35.7 in)	1138 mm (44.8 in)
Tote	1087 mm (42.8 in)	1318 mm (51.9 in)

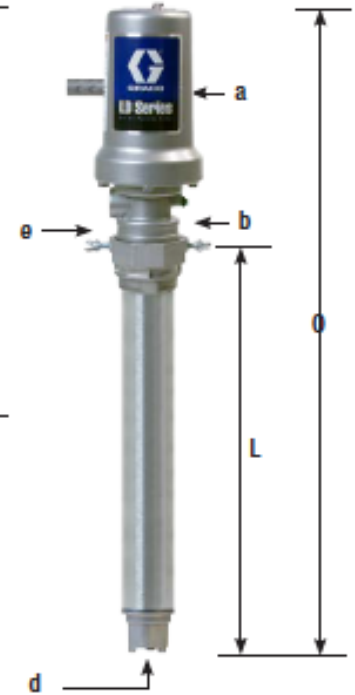
a = 1/4 inch air inlet
 b = ground screw
 c = 2 inch npt bung adapter
 d = 1 inch fluid inlet
 e = 1/2 inch fluid outlet

* Multi down tube is angle cut to the desired length as required.
 10 mm (3/8 inch) – minimum angle.

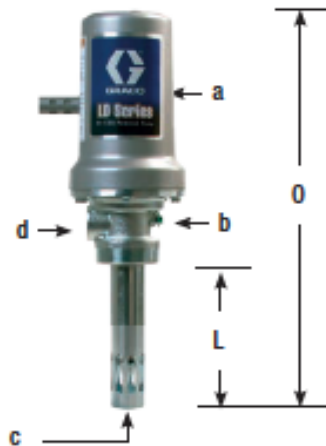
LD Series
3:1/5:1 Oil



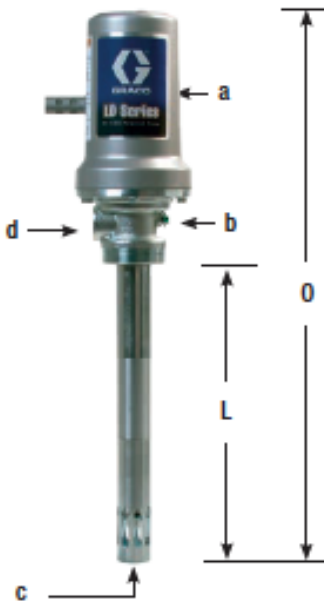
LD Series
3:1/5:1 Oil Multi/Drum/Tote



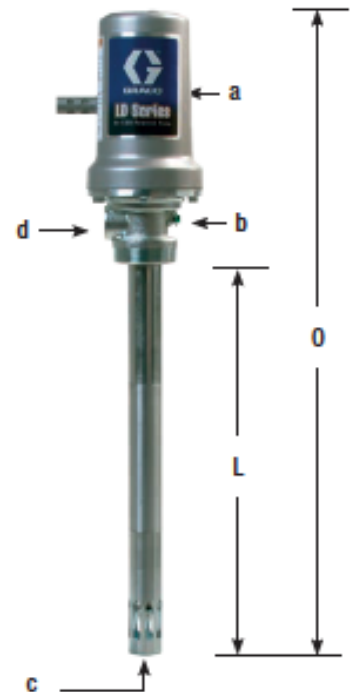
LD Series
10-40 kg Drum



LD Series
30-110 kg Drum



LD Series
180 kg Drum



DIMENSIONS:

Model	L Length	O Overall Length
10-40 kg Drum	370 mm (14.5 in)	600 mm (23.6 in)
30-110 kg Drum	715 mm (28.1 in)	945 mm (37.2 in)
180 kg Drum	915 mm (36 in)	1145 mm (45 in)

a = 1/4 inch air inlet
 b = ground screw
 c = priming piston
 d = 1/4 inch fluid outlet