

PETRO INDUSTRIAL



petroind.com



PIUSI

Dispensing

CUBE 56/70 DIESEL TRANSFER PUMPS

Item code: CUBE56-70-CATA

Diesel fuel dispenser for non commercial use. Sturdy structure designed for different applications.

FEATURES:

- Can be fixed to walls, tanks cisterns, drums, special pedestals.
- Self-priming vane pump fitted with bypass.
- Installed on anti-vibration supports.
- Mechanical seal.
- Induction motor fitted with thermal motor overload protection.
- Automatic nozzle with swivel connection.
- Integrated nozzle holder with stop/start pump lever.
- Intake mesh filter.

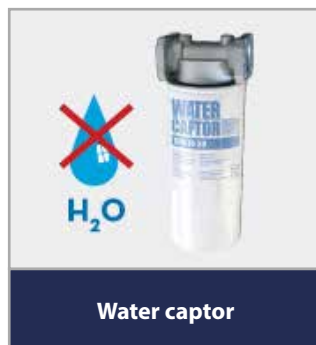
PERFORMANCE:

- Flow rate up to 70Lpm.
- Accuracy: +/- 1%.
- AC and DC versions available.
- Noise level below 75 dB.
- IP55 protection.

SHIPPING:

- Size (mm): 378L x 430W x 297H.
- Packaging (mm): 400 x 400 x 460.
- Weight (kg): 22.

ON REQUEST:



PETRO INDUSTRIAL



petroind.com



ON REQUEST:



2" Quick coupling
Code: R08930000



2" Drum connector with integrated valve
Code: F17163000



PRODUCT RANGE:

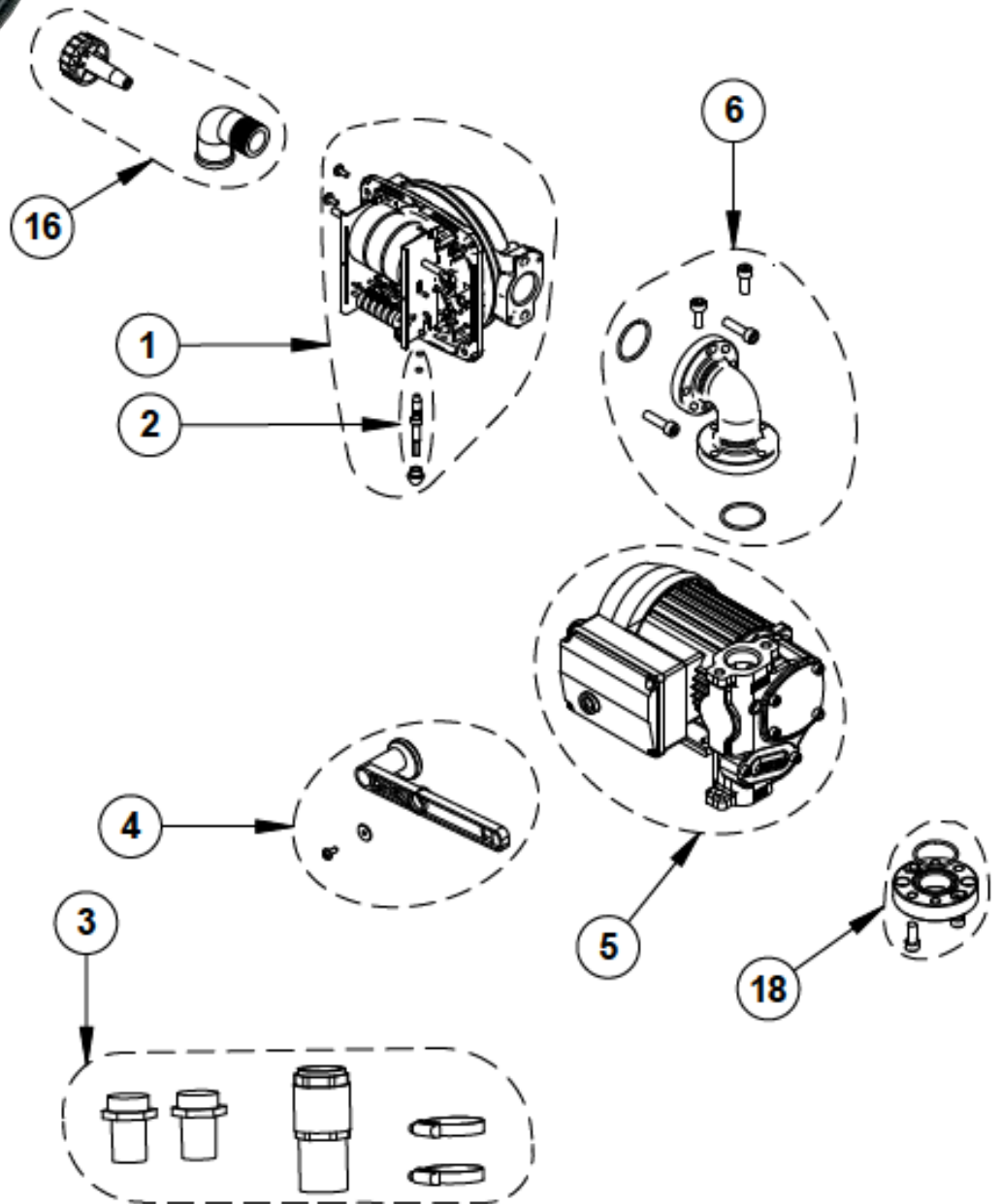
Code	Description	Flow Rate		Voltage			Meter	Nozzle	Inlet BSP	Hose		Filter	
		Lpm	Gpm	AC V./Hz DC Volt	Power Watt	Amp max.				length	Ø	H ² O	Cap.
F00372000	Cube 56	56	15	230/50	350	3	K33	Aut.	1"	4m	3/4"	No	-
F00372010	Cube 70/33	70	18	230/50	500	4,2					1"		
F00372030	Cube 56 DC 12V	56	15	12	300	35					3/4"		
F00372040	Cube 70 DC 24V	70	18	24	420	25					1"		
F0037400A	Cube 56/33 + Filter	56	15	230/50	350	3				6m	3/4"	Yes	30
F0037401A	Cube 70/33 + Filter	70	18	230/50	500	4.2					1"		

Upon request it is available with different voltages and 50/60 Hz frequency

PETRO INDUSTRIAL



petroind.com



PETRO INDUSTRIAL



petroind.com



SPARE PARTS LIST COD. 000326000 E 120/M

Pos.	Material Code	Description	Qty	UM
0001	R12491000	GROUP METERk33 CUBE 56	1	PC
0002	R12747000	KIT BY-PASS SCREW+OR K33/K44 CUBE	1	PC
0003	R08958000	KIT NO BACK VALVE	1	PC
0004	R1081800A	LEVER FIXING SYSTEM CUBE MC,KIT	1	PC
0005	R11527000	GROUP PANTHER 72 230V/50HZ CUBE70 SILENT	1	PC
0006	R10824000	KIT FLANGED + ELBOW + OR + SCREW	1	PC
0007	F08977000	DIESEL HOSE ø25 L=4m CRIMPED 1"x1"	1	PC
0008	F00603060	AUTOMATIC NOZZLE A60	1	PC
0010	R0873500B	NOZZLE SEAT CUBE 50	1	PC
0013	R12723000	KIT PUMP FIXING CUBE 70/33	1	PC
0015	R1270000A	KIT LEVER NOZZLE CUBE 56	1	PC
0016	R12634000	KIT KNOB + ELBOW	1	PC
0017	R12701000	KIT HOSE SUPPORT CUBE 56	1	PC
0018	R09180000	FLANGE KIT	1	PC
0021	R14922000	LABEL CUBE 70 NEW	1	PC
0022	R14921000	KIT COVER CUBE 70/56 RAL 5015	1	PC
0023	R14920000	KIT BASE + SIDE CUBE 70/56 RAL5015	1	PC

