



12/24V DC

DIESEL PITSTOP

Item code: F00212000-CATA

Dispenser unit with automatic hose reel. The 14 metres of hose with automatic nozzle allows dispensing up to 45Lpm with DC power supply.

The automatic hose reel, the two DC pumps and the automatic nozzle are integrated in a sturdy supporting structure. Easy to install to mobile or fixed tanks.

FEATURES:

- Automatic hose reel.
- Side safety guards.
- Adjustable arms with end-of-travel hose stop.
- Diesel hose 3/4"-14 m (1" - 10 m).
- On/Off switch.
- Swivel.
- Automatic nozzle.
- DC pumps – 45Lpm.
- Sturdy metal supporting structure.
- PIUSI filter of the water absorption cartridge type.



Pad Lock



On/Off Switch



Adjustable Arms with Hose stop



3/4"-14 m (1" - 10 m) Diesel Hose



Water Captor



K24 Electronic Meter on request

PETRO INDUSTRIAL

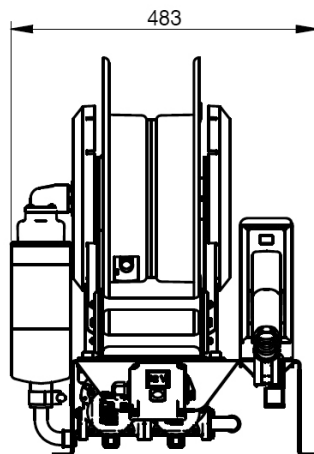
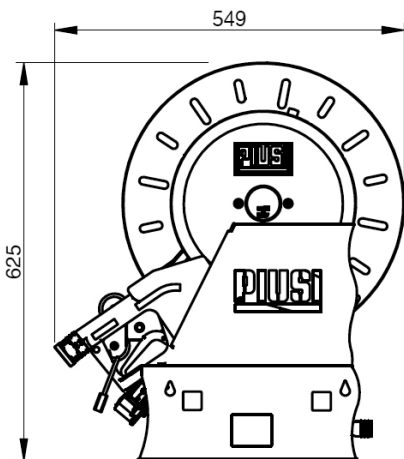


petroind.com



PRODUCT RANGE:

Code	Description	Flow Rate		Voltage			Pump		Duty Cycle min.	Nozzle type	Hose		Inlet Ø
		Lpm	Gpm	AC V./Hz DC Volt	Power Watt	Amp max.	mod.	Qty			Length	Ø	
F00212000	PIUSI Pitstop DC 12V	45	11,9	12	400	33	BP3000	2	30	Aut.	14m	3/4"	1"
F00213000	PIUSI Pitstop DC 24V			24	620	26							



SHIPPING:

Weight (kg)	Packaging (mm)
45	595 x 465 x 670

