



Panther Range

DIESEL TRANSFER PUMP

Item code: PUMP-F00730000-CATA

Diesel transfer electric pump. Displacement, self-priming rotary electric vane pumps. Compact and easy to install they are ideal for dispensers, fixed fuel transferring systems and other industrial applications.

Suitable for continuous use with thermal motor overload protection.

FEATURES:

- Fitted with by-pass valve and elevated reliability seal.
- Sturdy cast iron structure.
- Vane pump with sintered steel rotor and acetal resin vanes, induction motor with aluminium casing.

PERFORMANCE:

- Flow rate up to 90 lpm.
- Continuous AC operation (part 56/72).
- Duty cycle 30 min on/off (part 90).
- Noise level below 75 dB.
- Incorporated filter.

PRODUCT RANGE:

Code	Description	Flow Rate		Voltage				rpm	Inlet Outlet BSP	Flange Connection	Bypass Valve	Inlet Filter
		Lpm	Gpm	Single Phase Motor V./Hz	Three Phase Motor V./Hz	Power Watt	Amp max.					
Panther 56												
F00730000	Panther 56 230/50	56	15	230/50	–	350	3	2900	1"	–	Yes	Yes
F00731000	Panther 56 230/60	68	18	230/60	–	500	3,9	3400	1"	–	Yes	Yes
F00730070	Panther 56 120/60	56	15	120/60	–	600	7,5	3450	1"	–	Yes	Yes
F00730380	Panther 56 110/50	56	15	120/50	–	500	5,5	2800	1"	–	Yes	Yes
F00733000	Panther 56 400/50	56	15	–	400/50	500	1,3	2900	1"	–	Yes	Yes
F00734000	Panther 56 400/60	68	18	–	400/60	500	1,4	3400	1"	–	Yes	Yes
Panther 72												
F00732000	Panther 72 230/50	72	19	230/50	–	500	4,2	2900	1"	Yes	Yes	Yes
F00735000	Panther 72 400/50	72	19	–	400/50	500	1,6	2900	1"	Yes	Yes	Yes
Panther 90												
F00733020	Panther 90 230/50	90	23,8	230/50	–	700	4,9	2900	1"	Yes	Yes	Yes

Upon request it is available with different voltage and frequency

PETRO INDUSTRIAL



petroind.com



Vane Rotors



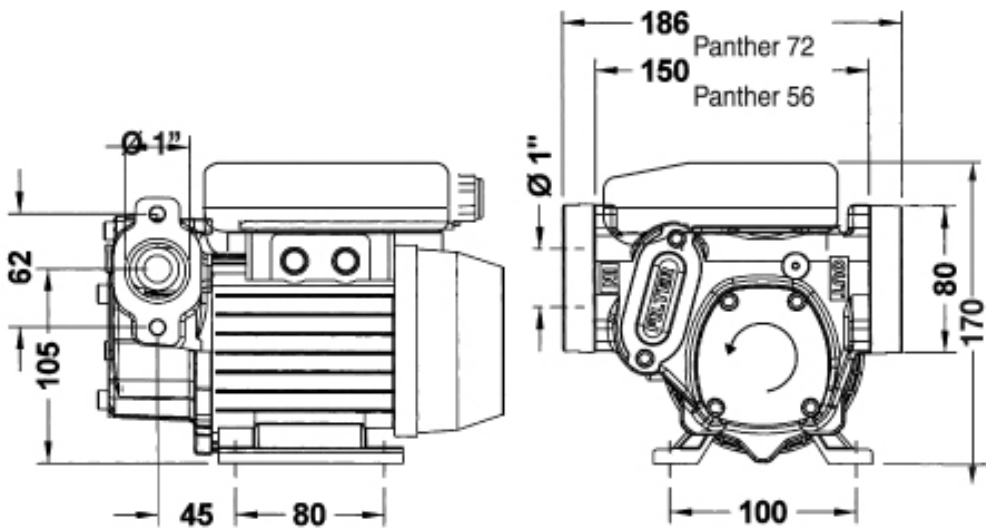
Flange Connection



Filter

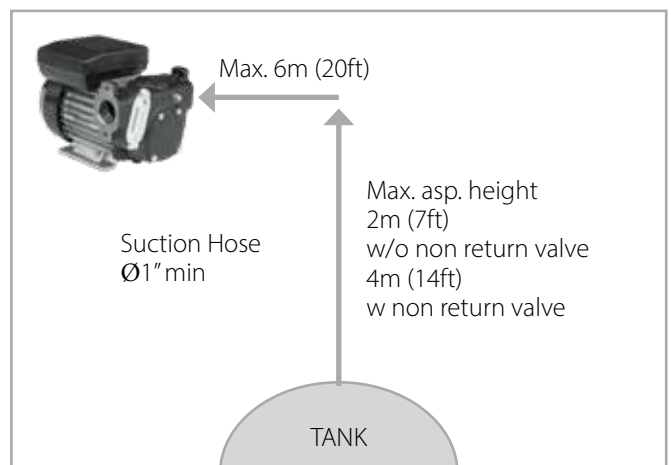


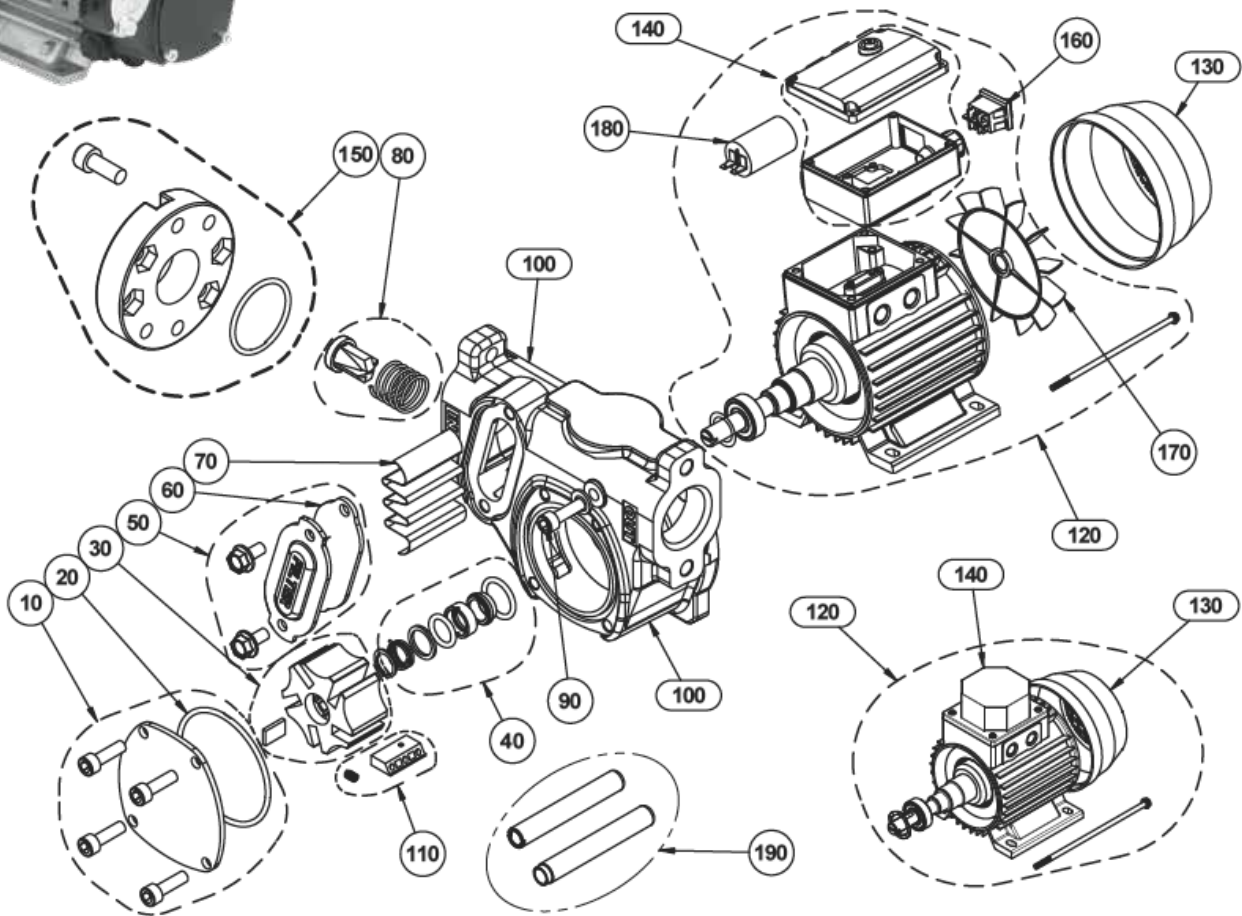
Panther Transfer Pump



SHIPPING:

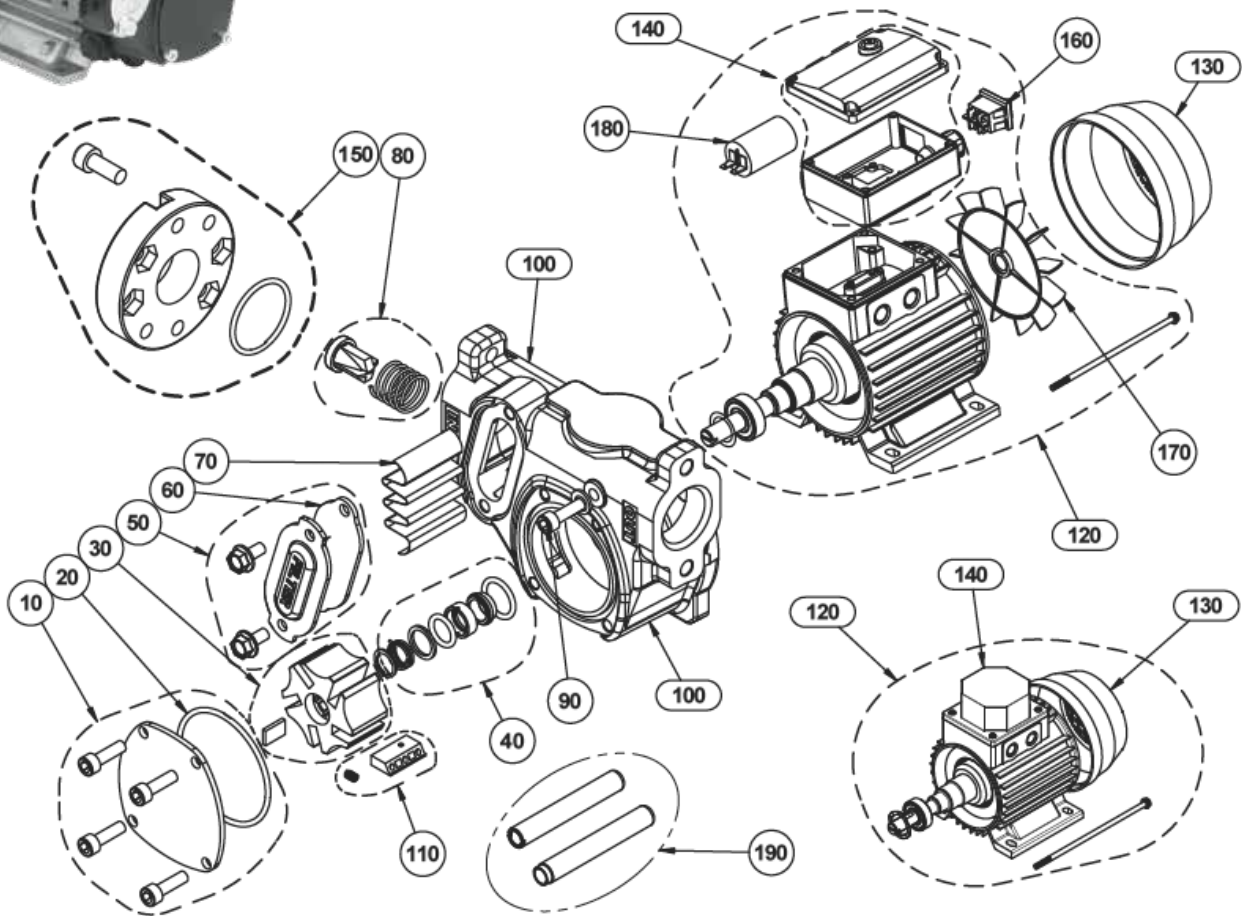
Description	Weight (kg)	Packaging (mm)
Panther 56	7,4	345 x 175 x 255
Panther 72	7,9	
Panther 90	8,2	





SPARE PARTS LIST COD. F00730000 PANTHER 56 230V/50HZ PIUSI

Pos.	Material Code	Description	Qty	UM
0010	R10361000	CHAMBER COVER KIT	1	PC
0020	R11461000	CHAMBER COVER GASKET KIT	1	PC
0030	R13282000	KIT ROTOR w/KEY FOR PANTHER DC	1	PC
0040	R11737000	MOTOR SHAFT SEAL KIT PANTHER 56V2	1	PC
0050	R15798000	FILTER COVER KIT	1	PC
0060	R15431000	FILTER COVER GASKET	1	PC
0070	R10363000	PANTHER FILTER KIT	1	PC
0080	R10515000	BY-PASS KIT	1	PC
0090	R11702000	ANTISIPHON KIT	1	PC
0100	R15312000	PUMP BODY PANTHER 56 W/LOGO PIUSI	1	PC
0110	R11276000	KIT NR. 5 BLADES + NR. 5 SPRING	1	PC
0120	R1036700A	0,5 HP ENGINE KIT	1	PC
0130	R08535000	0,5 HP ENGINE FAN COVER KIT	1	PC
0140	R12746000	KIT TERMINAL BOX PANTHER 56/72	1	PC
0150	R09180000	FLANGE KIT	1	PC
0160	R16657000	2 POLES SWITCH COMELUX MD 4010 I 3502 B01	1	PC
0170	R08534000	0,5 HP ENGINE FAN KIT	1	PC
0180	R1392100A	CONDENSER 148F 450V MOTOR 0.5/0.7HP	1	PC
0190	R12799000	KIT TOOL FOR REPLACING MECHANICAL SEAL	1	PC
9050	R10360000	FILTER COVER KIT	1	PC
9060	R1036200A	FILTER COVER GASKET	1	PC
9100	R11759000	CIRCULAR CHAMBER PUMP CASING	1	PC



SPARE PARTS LIST COD. 000732000 PANTHER 72 230V/50HZ

Pos.	Material Code	Description	Qty	UM
0010	R10361000	CHAMBER COVER KIT	1	PC
0020	R11461000	CHAMBER COVER GASKET KIT	1	PC
0030	R13282000	KIT ROTOR w/KEY FOR PANTHER DC	1	PC
0040	R11737000	MOTOR SHAFT SEAL KIT PANTHER 56\72	1	PC
0050	R15798000	FILTER COVER KIT	1	PC
0060	R15431000	FILTER COVER GASKET	1	PC
0070	R10363000	PANTHER FILTER KIT	1	PC
0080	R10515000	BY-PASS KIT	1	PC
0090	R11702000	ANTISIPHON KIT	1	PC
0100	R15766000	CIRCULAR CHAMBER PUMP CASING	1	PC
0110	R11276000	KIT NR. 5 BLADES + NR. 5 SPRING	1	PC
0120	R10451000	0,7 HP ENGINE KIT	1	PC
0130	R08535000	0,5 HP ENGINE FAN COVER KIT	1	PC
0140	R12746000	KIT TERMINAL BOX PANTHER 56/72	1	PC
0150	R09180000	FLANGE KIT	1	PC
0160	R16657000	2 POLES SWITCH COMELUX MD 4010 I 3502 B01	1	PC
0170	R08534000	0,5 HP ENGINE FAN KIT	1	PC
0180	R08193000	KIT CONDENSER 16uF MOTOR 0.7 HP	1	PC
0190	R12799000	KIT TOOL FOR REPLACING MECHANICAL SEAL	1	PC
9050	R10360000	FILTER COVER KIT	1	PC
9060	R1036200A	FILTER COVER GASKET	1	PC
9100	R1051300B	CIRCULAR CHAMBER PUMP CASING	1	PC