



Electronic

K700 PULSE METER

Item code: PULSEMETER-000498000-CATA

Oval gear electronic meters in acetal resin for measuring low, medium and high viscosity fluids.

These meters interface easily with management systems, making them the ideal solution to fit on non-commercial fuel distributors in fixed lubricant transfer/ distribution systems.

Also ideal as flow meters for cistern loading arms, controlling the consumption of fuel in burners or generator sets and other industrial applications. Inbuilt suction filter (except mod. K400 and K200).

FEATURES:

- Repeatability 0.2 %.
- Loss of pressure <0.5 bar at maximum flow rate.
- Accuracy: +/- 0.5 %.
- Weight: 5,5kg.
- Packaging: 280 x 160 x 140mm.



Oval Gears

TECHNICAL DATA:

Code	Description	Fluids (type)	Flow Rate		Pulser		Pressure		Battery 2 x 1,5V	Flange	Inlet Outlet BSP	Inlet Filter
			lpm	gpm	ppl	ppg	bar	psi				
F0049800A	K700 Pulser	AntiFreeze Bio-Diesel Diesel Oil	25-250	6,6-66	14	53	20	300	No	Yes	2"	Yes

ON REQUEST:



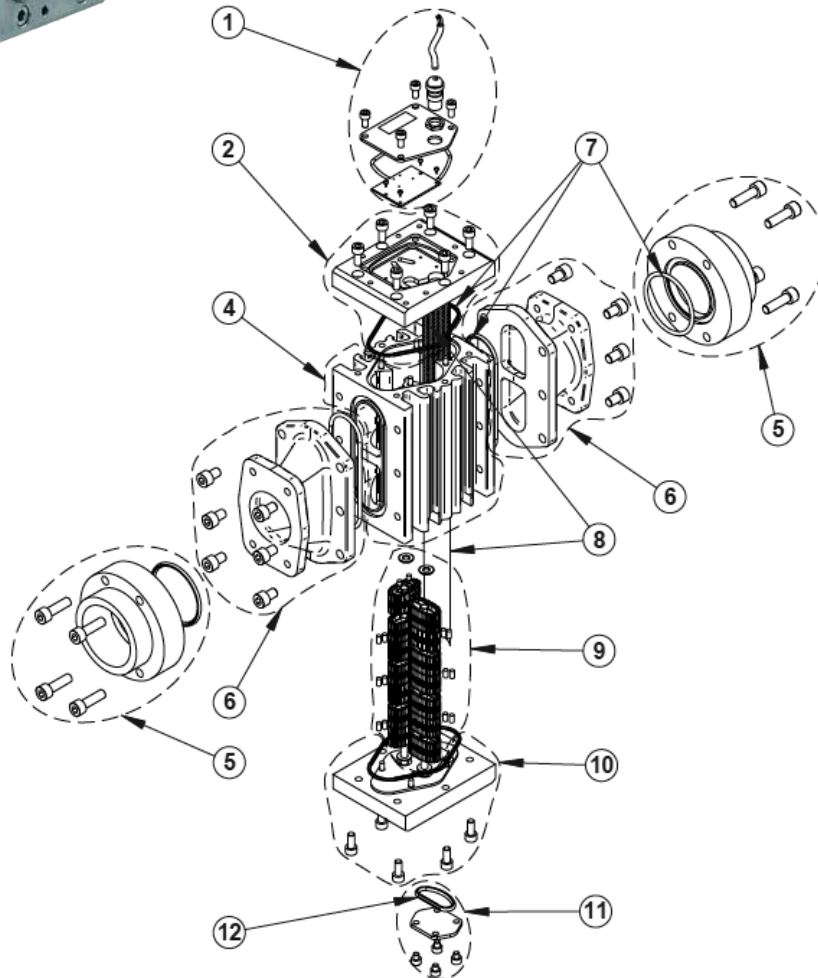
Remote Display



Turbinox 90°



Turbinox 90° + Display



SPARE PARTS LIST COD. 000498000 K700 PULSER - 2IN BSP

Pos.	Material Code	Description	Qty	UM
0001	R13823000	KIT COVER PULSER CARD K700	1	PC
0002	R13824000	KIT CARD SLOT COVER K700 PULSER	1	PC
0004	R13825000	KIT METER BODY K700 w/PINS	2	PC
0005	R13826000	KIT FLANGE K700 PULSER GAS	2	PC
0006	R13827000	KIT COLLECTOR K700 PULSER	2	PC
0007	R13828000	KIT O-RINGS K700 PULSER	1	PC
0008	R13829000	KIT FILTERS K700 PULSER	1	PC
0009	R13830000	KIT GEARS COMPLETE W/MAGNETS and PINS	1	PC
0010	R13831000	KIT COVER K700 PULSER	1	PC
0011	R13832000	KIT COVER 46x36 Thick.=3 FILTER ACCESS	1	PC
0012	R10431000	O-RING 4106 (D.26,57 S.3,53)	1	PC