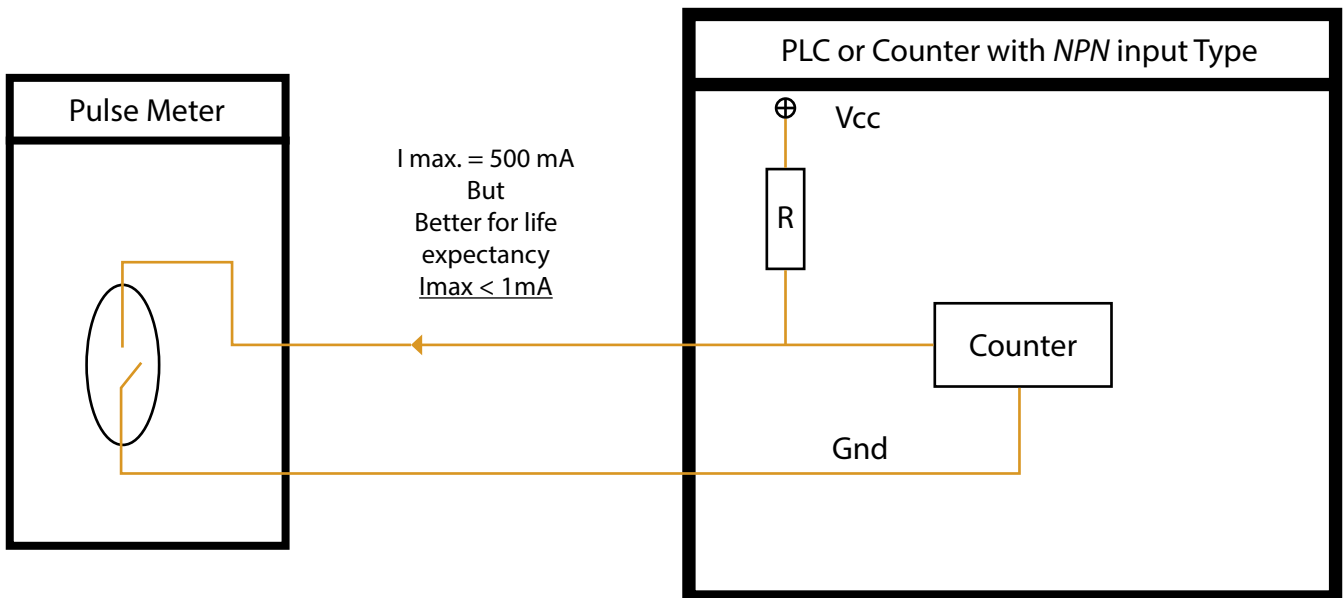




K400 PULSER TECHNICAL DATA

ELECTRICAL DATA AND CONNECTION



PULSER CONTACT CHARACTERISTICS

Electrical Characteristics

Switched Power (max)		W	10
Switched Voltage DC (max)		V	200
Switched Voltage AC, RMS value (max)		V	140
Switched Current DC (max)		mA	500
Switched Current AC, RMS value (max)		mA	500
Carry Current DC, AC, RMS value (max)		mA	500
Breakdown Voltage (min)		V	230
Contact Resistance (initial max)	(energisation)	mΩ	115 (25 AT)
Contact Resistance (initial typ.)	(energisation)	mΩ	95 (25 AT)
Contact Capacitance (max)	without test coil	pF	0.25
Insulation Resistance (min)	RH ≤ 45%	mΩ	10 ⁶