



PIUSI

12/24V DC

EX50 TRANSFER PUMP

Item code: F00371000-CATA



PIUSI EX50 satisfies the strict ATEX / IECEx directive concerning the use of materials in potentially explosive atmospheres.

FEATURES:

- Fluids Compatibility: Aviation Fuels (JetA1 and AVGAS), Diesel, Gasoline (Petrol), Kerosene.
- 50lpm - choice of 12V DC / 120V AC / 230V AC.
- Compact and sturdy construction.
- Cast-iron body.
- High-efficiency pump able to dispense up to 50 l/ min (13 gpm) with little voltage draw, ensuring a longer life.
- Duty cycle: 30 min on/ 60 min off.
- Anti-noise filter (electromagnetic compatibility EMC).
- Fully-flanged components: pump, flow meter and filters can be fitted or replaced without the use of sealing paste, making the connections quick and safer.
- An integrated bypass valve; thermally protected.
- In additional PIUSI EX50 is UL / ULC approved for use in the United States / Canada markets.



EX50 KIT

- Integrated check valve and pressure relief valve.
- Nozzle holder switch.
- Drum 2" connector.



On / Off Switch



Flange Connector

PETRO INDUSTRIAL



petroind.com

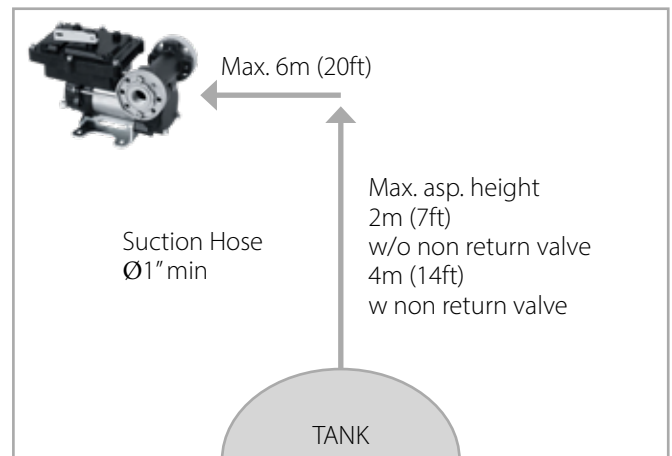
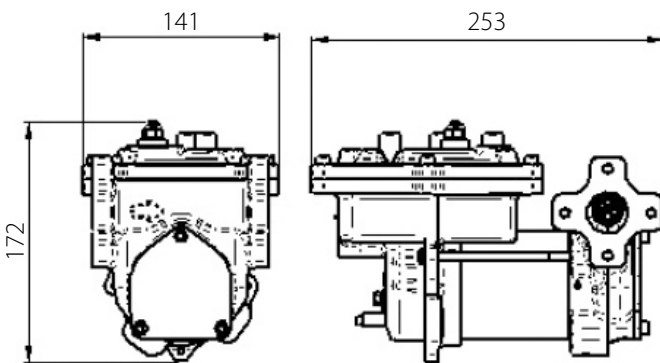


PRODUCT RANGE:

Code	Description	Flow Rate		Voltage			Duty Cycle On/Off min.	rpm	Inlet BSP
		Lpm	Gpm	AC V./Hz DC Volt	Power Watt	Amp max.			
F00371000	EX50 12V DC Atex	50	13	12	250	21	30/60	2700	1"
F00372020	Drum Kit EX50 12V DC Atex								
F0037300A	EX50 230V AC Atex			230/50-60	1				
F0037402A	Drum Kit EX50 230V AC Atex*								

(*) Upon request it is available with different voltages and 60 Hz frequency.

The pump can be used only with the following fluids: - diesel - kerosene - petrol - petrol alcohol mixed max 15% - avgas 100/100LL (pump only) - jet A/A1 (pump only) - aspen 2/4.



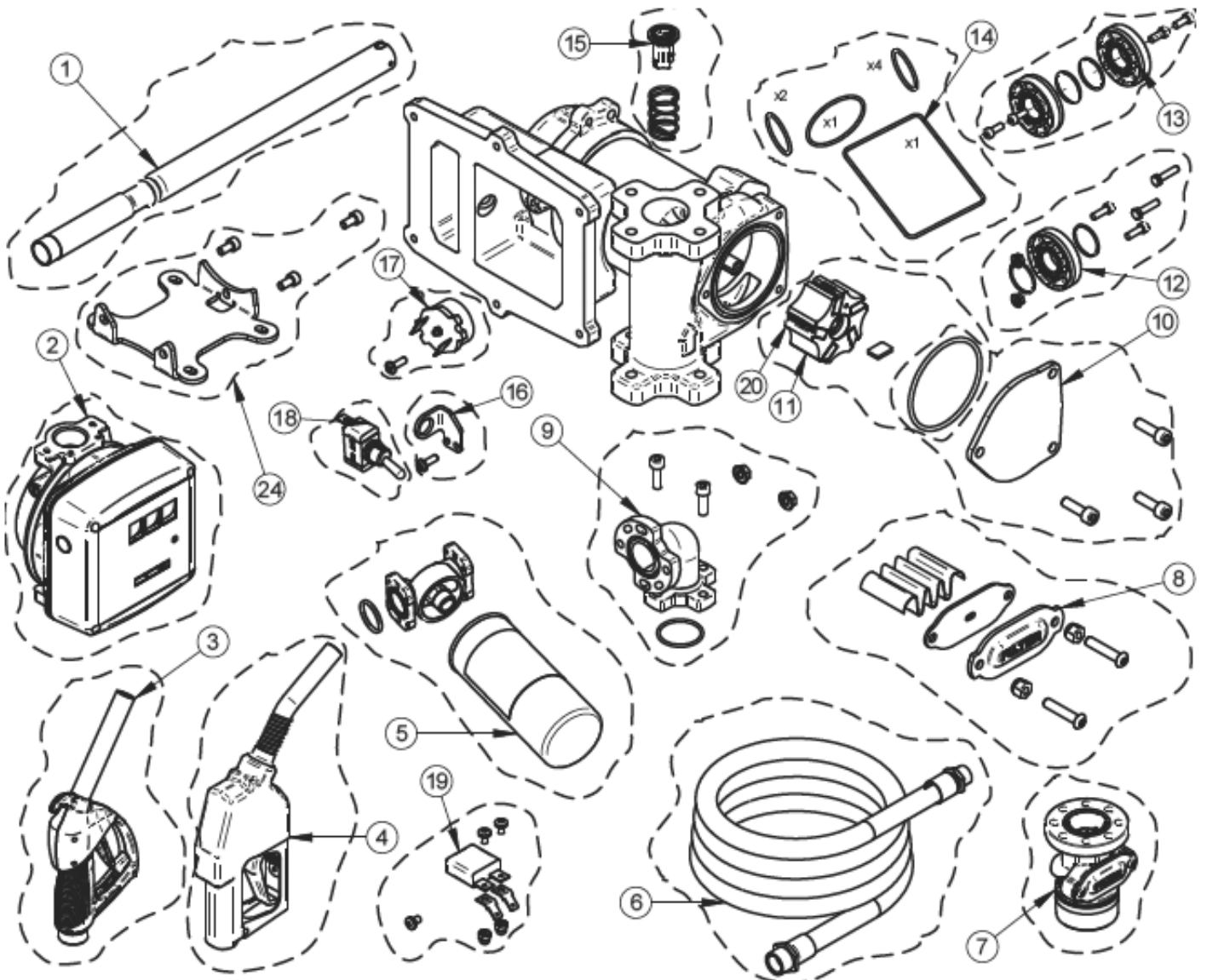
SHIPPING:

Weight (kg)	Packaging (mm)
7,9	345 x 175 x 225

PETRO INDUSTRIAL



petroind.com



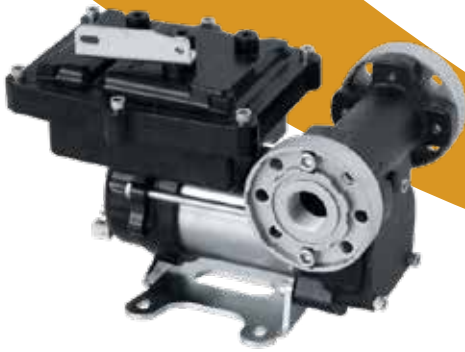


SPARE PARTS LIST COD. F00372010 (EX) DRUM EX50 12 V DC ATEX /AUTO/F/4MT

Pos.	Material Code	Description	Qty	UM
0001	F08934020	TELESCOPIC STEEL PIPE 1"BSP 1100 MM	1	PC
0003	F00613020	(Ex) AUTOMATIC NOZZLE 60 1in ATEX	1	PC
0005	F18796000	HEAD BSP+WATER CAPTOR FILTER-CARTR. (£)	1	PC
0006	F18151000	GASOLINE HOSE D.20 L=4m 1'x1'-PARKER	1	PC
0007	F17163000	2" BSP DRUM CONNECTOR WITH VALVE	1	PC
0008	R18792000	KIT FILTER DRUM-CONNECTOR (£)	1	PC
0009	F18791000	KIT MANIFOLD+SCREWS+O-RING EX50 (£)	1	PC
0010	R18794000	KIT COVER CHAMBER EX50 ATEX (£)	1	PC
0011	R18090000	KIT ROTOR w/KEY FOR EX50 UL-ATEX	1	PC
0014	R18801000	KIT GASKETS\O-RINGS PUMP EX50 (£)	1	PC
0015	R18793000	KIT BY-PASS PUMP EX50 NEW (£)	1	PC
0016	R1732600A	BRACKET FOR SWITCH - PUMP EX50	1	PC
0017	R17095000	PHENOLIC THERMAL PROTECTOR	1	PC
0018	R17027000	SWITCH EX50 (£)	1	PC
0020	R18700000	KIT NR. 5 BLADES + NR. 5 SPRING EX50	1	PC
9015	R18805000	KIT BY-PASS PUMP EX50 "OLD" (£)	1	PC

SPARE PARTS LIST COD. F00372000 (EX) DRUM EX50 12 V DC ATEX /MAN/F/4MT

Pos.	Material Code	Description	Qty	UM
0001	F08934020	TELESCOPIC STEEL PIPE 1"BSP 1100 MM	1	PC
0003	00065003A	SELF 3000 1in GAS UNLEADED SPOUT W/O LOC	1	PC
0005	F18796000	HEAD BSP+WATER CAPTOR FILTER-CARTR. (£)	1	PC
0006	F18151000	GASOLINE HOSE D.20 L=4m 1'x1'-PARKER	1	PC
0007	F17163000	2" BSP DRUM CONNECTOR WITH VALVE	1	PC
0008	R18792000	KIT FILTER DRUM-CONNECTOR (£)	1	PC
0009	F18791000	KIT MANIFOLD+SCREWS+O-RING EX50 (£)	1	PC
0010	R18794000	KIT COVER CHAMBER EX50 ATEX (£)	1	PC
0011	R18090000	KIT ROTOR w/KEY FOR EX50 UL-ATEX	1	PC
0014	R18801000	KIT GASKETS\O-RINGS PUMP EX50 (£)	1	PC
0015	R18793000	KIT BY-PASS PUMP EX50 NEW (£)	1	PC
0016	R1732600A	BRACKET FOR SWITCH - PUMP EX50	1	PC
0017	R17095000	PHENOLIC THERMAL PROTECTOR	1	PC
0018	R17027000	SWITCH EX50 (£)	1	PC
0020	R18700000	KIT NR. 5 BLADES + NR. 5 SPRING EX50	1	PC
9015	R18805000	KIT BY-PASS PUMP EX50 "OLD" (£)	1	PC



SPARE PARTS LIST COD. F00374010 (EX) DRUM EX50 230V/50 ATEX /AUTO/F/4MT

Pos.	Material Code	Description	Qty	UM
0001	F08934020	TELESCOPIC STEEL PIPE 1" BSP 1100 MM	1	PC
0004	F00613020	(Ex) AUTOMATIC NOZZLE 60 1in ATEX	1	PC
0005	F18796000	HEAD BSP+WATER CAPTOR FILTER-CARTR. (£)	1	PC
0006	F18151000	GASOLINE HOSE D.20 L=4m 1'x1'-PARKER	1	PC
0007	F17163000	2" BSP DRUM CONNECTOR WITH VALVE	1	PC
0008	R18792000	KIT FILTER DRUM-CONNECTOR (£)	1	PC
0009	F18791000	KIT MANIFOLD+SCREWS+O-RING EX50 (£)	1	PC
0010	R18794000	KIT COVER CHAMBER EX50 ATEX (£)	1	PC
0011	R18090000	KIT ROTOR w/KEY FOR EX50 UL-ATEX	1	PC
0014	R18801000	KIT GASKETS\O-RINGS PUMP EX50 (£)	1	PC
0015	R18793000	KIT BY-PASS PUMP EX50 NEW (£)	1	PC
0016	R1732600A	BRACKET FOR SWITCH - PUMP EX50	1	PC
0018	R17027000	SWITCH EX50 (£)	1	PC
0020	R18700000	KIT NR. 5 BLADES + NR. 5 SPRING EX50	1	PC
9015	R18805000	KIT BY-PASS PUMP EX50 "OLD" (£)	1	PC

SPARE PARTS LIST COD. F00375000 (EX) DRUM EX50 33 12 V DC ATEX /MAN/F/4M

Pos.	Material Code	Description	Qty	UM
0001	F08934020	TELESCOPIC STEEL PIPE 1" BSP 1100 MM	1	PC
0002	F00570010	(Ex) K33 METER VER.B ATEX	1	PC
0003	00065003A	SELF 3000 1in GAS UNLEADED SPOUT W/O LOC	1	PC
0005	F18796000	HEAD BSP+WATER CAPTOR FILTER-CARTR. (£)	1	PC
0006	F18151000	GASOLINE HOSE D.20 L=4m 1'x1'-PARKER	1	PC
0007	F17163000	2" BSP DRUM CONNECTOR WITH VALVE	1	PC
0008	R18792000	KIT FILTER DRUM-CONNECTOR (£)	1	PC
0009	F18791000	KIT MANIFOLD+SCREWS+O-RING EX50 (£)	1	PC
0010	R18794000	KIT COVER CHAMBER EX50 ATEX (£)	1	PC
0011	R18090000	KIT ROTOR w/KEY FOR EX50 UL-ATEX	1	PC
0012	F18802000	KIT CONNECTION PUMP EX50 - K33 (£)	1	PC
0014	R18801000	KIT GASKETS\O-RINGS PUMP EX50 (£)	1	PC
0015	R18793000	KIT BY-PASS PUMP EX50 NEW (£)	1	PC
0016	R1732600A	BRACKET FOR SWITCH - PUMP EX50	1	PC
0017	R17095000	PHENOLIC THERMAL PROTECTOR	1	PC
0018	R17027000	SWITCH EX50 (£)	1	PC
0020	R18700000	KIT NR. 5 BLADES + NR. 5 SPRING EX50	1	PC
9015	R18805000	KIT BY-PASS PUMP EX50 "OLD" (£)	1	PC



SPARE PARTS LIST COD. F00371000 (EX) EX50 12 V DC ATEX

Pos.	Material Code	Description	Qty	UM
0010	R18794000	KIT COVER CHAMBER EX50 ATEX (£)	1	PC
0011	R18090000	KIT ROTOR w/KEY FOR EX50 UL-ATEX	1	PC
0013	F18176000	KIT FLANGE EX50 BSP (£)	1	PC
0014	R18801000	KIT GASKETS\O-RINGS PUMP EX50 (£)	1	PC
0015	R18793000	KIT BY-PASS PUMP EX50 NEW (£)	1	PC
0016	R1732600A	BRACKET FOR SWITCH - PUMP EX50	1	PC
0017	R17095000	PHENOLIC THERMAL PROTECTOR	1	PC
0018	R17027000	SWITCH EX50 (£)	1	PC
0020	R18700000	KIT NR. 5 BLADES + NR. 5 SPRING EX50 1 PC	1	PC
0024	R18089000	KIT FOOT PLATE PUMP EX50 (£)	1	PC
9015	R18805000	KIT BY-PASS PUMP EX50 "OLD" (£)	1	PC

SPARE PARTS LIST COD. F00373000 (EX) EX50 230V/50HZ ATEX

Pos.	Material Code	Description	Qty	UM
0010	R18794000	KIT COVER CHAMBER EX50 ATEX (£)	1	PC
0011	R18090000	KIT ROTOR w/KEY FOR EX50 UL-ATEX	1	PC
0013	F18176000	KIT FLANGE EX50 BSP (£)	1	PC
0014	R18801000	KIT GASKETS\O-RINGS PUMP EX50 (£)	1	PC
0015	R18793000	KIT BY-PASS PUMP EX50 NEW (£)	1	PC
0016	R1732600A	BRACKET FOR SWITCH - PUMP EX50	1	PC
0018	R17027000	SWITCH EX50 (£)	1	PC
0020	R18700000	KIT NR. 5 BLADES + NR. 5 SPRING EX50 1 PC	1	PC
0024	R18089000	KIT FOOT PLATE PUMP EX50 (£)	1	PC
9015	R18805000	KIT BY-PASS PUMP EX50 "OLD" (£)	1	PC