



E120 AC

DIESEL TRANSFER ELECTRIC PUMP

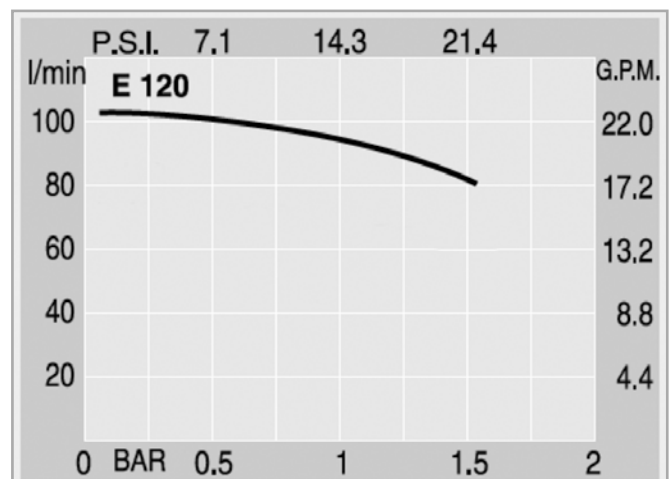
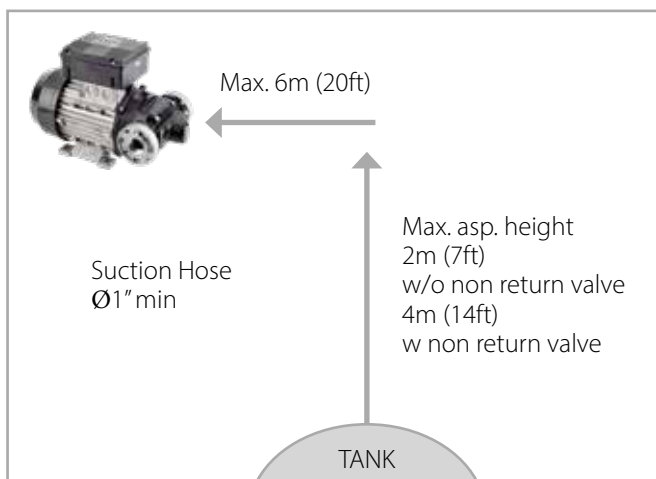
Item code: 000326000-CATA

FEATURES:

- Displacement, Self-priming Rotary Vane Pump.
- Fitted with By-pass Valve and elevated reliability seal even at low working temperatures.
- Compact and easy to install.
- Ideal for Dispensers, fixed fuel transferring systems and other industrial applications.
- Sturdy cast iron structure.
- With sintered steel rotor and acetal resin vanes.
- Induction motor with aluminium casing.
- Suitable for continuous use with thermal motor overload protection.
- Noise level below 70 dB.

TECHNICAL DATA:

Code	Description	Flow Rate		Voltage				rpm	Inlet Outlet BSP	Flange	Inlet Filter
		Lpm	Gpm	Singlephase motor V./Hz	Threephase motor V./Hz	Power Watt	Amp max.				
000326000	E 120 M	100	28	230/50	-	1150	5,7	1450	1"	Yes	No



PETRO INDUSTRIAL



petroind.com



Flange Connector

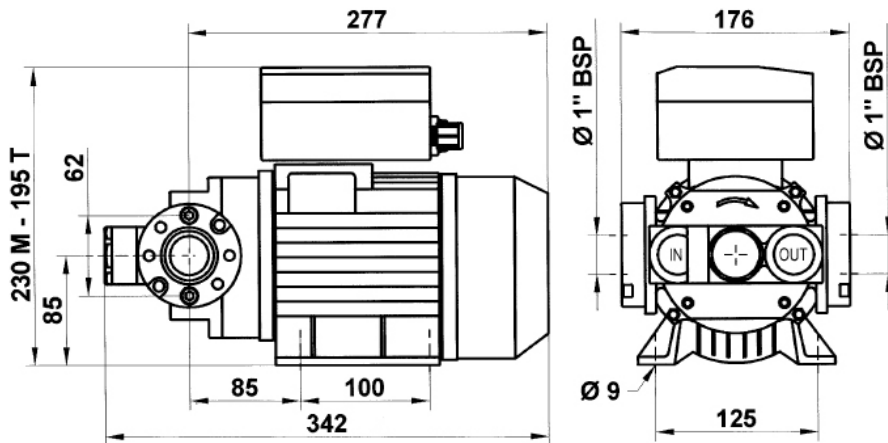


Vane Rotors



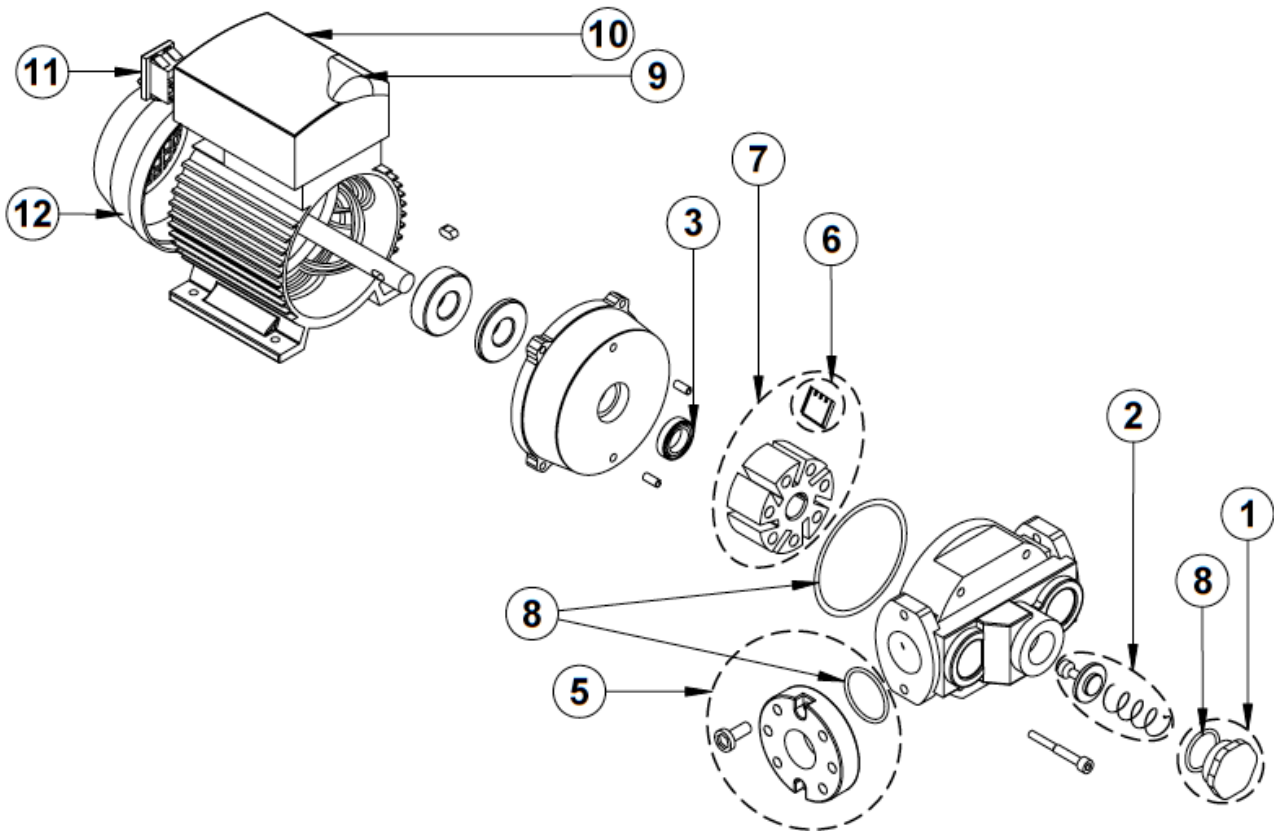
Version with EEX motor (optional)

DIMENSIONS:



SHIPPING:

Code	Description	Weight		Packaging	
		kg	lbs	mm	inch
000326000	E 120 M	15,6	34,4	355 x 185 x 285	14 x 7,3 x 11,2



SPARE PARTS LIST COD. 000326000 E 120/M

Pos.	Material Code	Description	Qty	UM
0001	R13851000	GROUP PLUG 1G + GASKET	1	PC
0002	R10912000	KIT BY-PASS VALVE	1	PC
0003	R08772000	KIT SEAL BABSL 20/30/7 IN VITON	1	PC
0005	R09180000	FLANGE KIT	1	PC
0006	R0700200A	KIT NR.7 pcs VANES E80/E120\S120	1	PC
0007	R0785400A	KIT ROTOR E120 WITH VANES	1	PC
0008	R12846000	KIT GASKET O-RING	1	PC
0009	R08194000	KIT CONDENSER 25uF MOTOR 1 HP	1	PC
0010	R0819600A	KIT TERMINAL BOX 1HP 230V \ 50HZ	1	PC
0011	R07667000	2POLES SWITCH COMELUX MD 4010 I 3502 B01	1	PC
0012	R08182000	KIT FAN COVER MOTOR MEC 80	1	PC