



12/24V DC

DIESEL TRANSFER BiPUMP

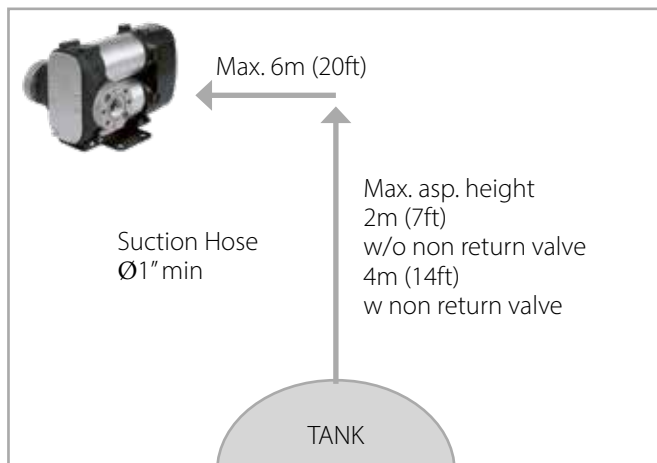
Item code: F00363AOA-CATA

The Piusi Bi-Pump diesel transfer pump range are powerful, reliable and economical and are designed for high flow diesel transfer and refuelling.

This Piusi pump is ideal for refuelling large plant and agricultural vehicles and machinery, and can be used in either a fixed fuel installation or for mobile refuelling.

FEATURES:

- Self-Priming Diesel Transfer Pump.
- Incorporated Bypass Valve.
- Flow rate: 85Lpm Free Flow.
- On/Off Switch – 30min working cycle.
- 1" BSP Flanged Inlet/Outlet Ports.
- Protection Grade: IP55.





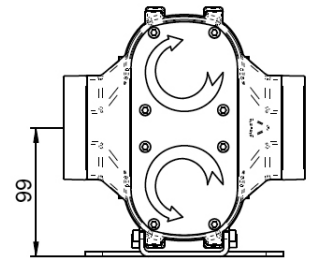
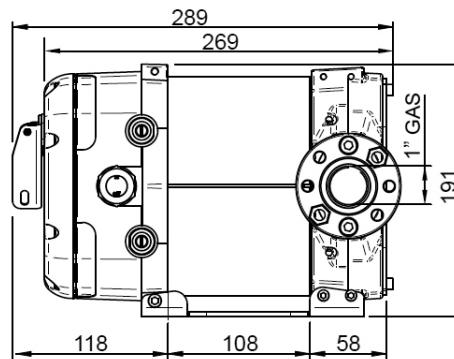
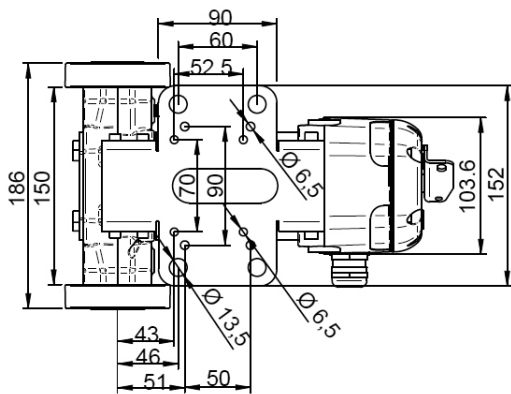
PETRO INDUSTRIAL



petroind.com

PRODUCT RANGE:

Code	Description	Flow Rate		Voltage			rpm	Inlet BSP	Duty Cycle (min)
		Lpm	Gpm	DC Volt	Power Watt	Amp max.			
F00363A0A	Bipump 12V with on/off switch	85	22,4	12	500	42	2000	1"	30
F00363B0A	Bipump 24V with on/off switch			24		21			
F0036301A	Bipump 12V with 2m cable			12		42			
F0036302A	Bipump 12V with 4m cable			12		42			
F0036303A	Bipump 24V with 2m cable			24		21			
F0036304A	Bipump 24V with 4m cable			24		21			
F0036321A	Bipump 12-24V without on/off switch			12/24		42/21			
R14334000	2m Cable Kit			-		-			
R14335000	2m Cable Kit	-	-	-	-	-	-	-	
R14200000	Handle Kit	-	-	-	-	-	-	-	



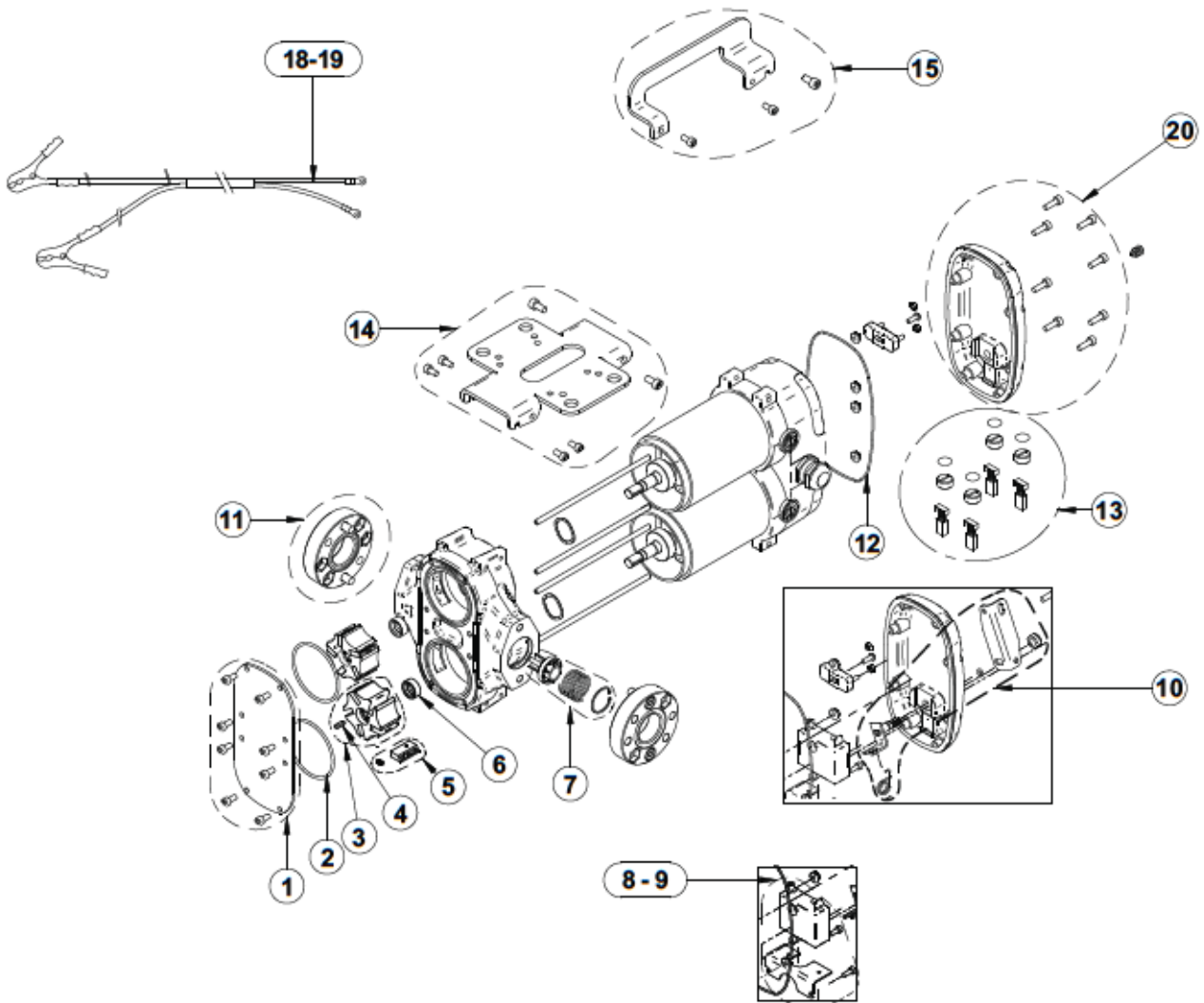
SHIPPING:

Code	Description	Weight (kg)	Packaging (mm)
F00363A0A	Bipump 12V with on/off switch	9,9	345 x 175 x 255
F00363B0A	Bipump 24V with on/off switch	9,9	
F0036301A	Bipump 12V with 2m cable	10,2	
F0036302A	Bipump 12V with 4m cable	10,4	
F0036303A	Bipump 24V with 2m cable	10,2	
F0036304A	Bipump 24V with 4m cable	10,4	
F0036321A	Bipump 12-24V without on/off switch	8,5	

PETRO INDUSTRIAL



petroind.com





SPARE PARTS LIST COD. F00363A0A BI-PUMP 12V W\SWITCH WO\CABLE

Pos.	Material Code	Description	Qty	UM
0001	R0989300A	CHAMBER COVER KIT	1	PC
0002	R09963000	KIT GASKET OR 3237 NBR 70 SH (10 Pcs)	1	PC
0003	R13282000	KIT ROTOR w/KEY FOR PANTHER DC	1	PC
0004	R13285000	KIT KEY PANTHER DC	1	PC
0005	R11276000	KIT NR. 5 BLADES + NR. 5 SPRING	2	PC
0006	R10132000	SEALING RING (i. Ø11/e. Ø19/thick.7)	1	PC
0007	R1269500A	BY-PASS VALVE BI-PUMP	1	PC
0008	R13959000	KIT SWITCH BI-PUMP 12V	1	PC
0010	R13962000	KIT PIN FOR SWITCH BI-PUMP	1	PC
0011	R09180000	FLANGE KIT	1	PC
0012	R13958000	GASKET OR 2013500 D.135 TH.2 (10 PCS)	1	PC
0013	R14924000	KIT MOTOR BRUSHES BI-PUMP 12/24V	1	PC
0014	R14140000	PUMP BASE KIT BI-PUMP	1	PC
0015	F14200000	KIT HANDLE BI-PUMP	1	PC
0018	R14334000	CABLE 2X6X2mt BI-PUMP	1	PC
0019	R14335000	CABLE 2X6X4mt BI-PUMP	1	PC
0020	R14991000	KIT COVER BI-PUMP W/SCREWS	1	PC

SPARE PARTS LIST COD. F00363B0A BI-PUMP 24V W\SWITCH WO\CABLE

Pos.	Material Code	Description	Qty	UM
0001	R0989300A	CHAMBER COVER KIT	1	PC
0002	R09963000	KIT GASKET OR 3237 NBR 70 SH (10 Pcs)	1	PC
0003	R13282000	KIT ROTOR w/KEY FOR PANTHER DC	1	PC
0004	R13285000	KIT KEY PANTHER DC	1	PC
0005	R11276000	KIT NR. 5 BLADES + NR. 5 SPRING	2	PC
0006	R10132000	SEALING RING (i. Ø11/e. Ø19/thick.7)	1	PC
0007	R1269500A	BY-PASS VALVE BI-PUMP	1	PC
0009	R13965000	KIT SWITCH BI-PUMP 24V	1	PC
0010	R13962000	KIT PIN FOR SWITCH BI-PUMP	1	PC
0011	R09180000	FLANGE KIT	1	PC
0012	R13958000	GASKET OR 2013500 D.135 TH.2 (10 PCS)	1	PC
0013	R14924000	KIT MOTOR BRUSHES BI-PUMP 12/24V	1	PC
0014	R14140000	PUMP BASE KIT BI-PUMP	1	PC
0015	F14200000	KIT HANDLE BI-PUMP	1	PC
0018	R14334000	CABLE 2X6X2mt BI-PUMP	1	PC
0019	R14335000	CABLE 2X6X4mt BI-PUMP	1	PC
0020	R14991000	KIT COVER BI-PUMP W/SCREWS	1	PC