

SIZE	Total Fill Level (L)	Safe Fill Level (L)	Length (mm)	Width (mm)	Height (mm)
T8.8	8800	8000	3916	2294	1255

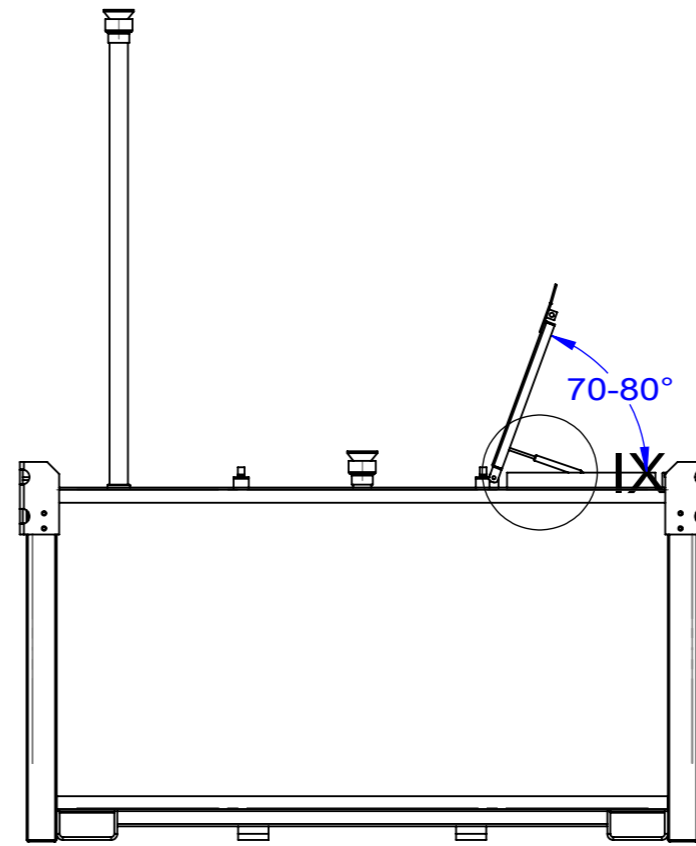
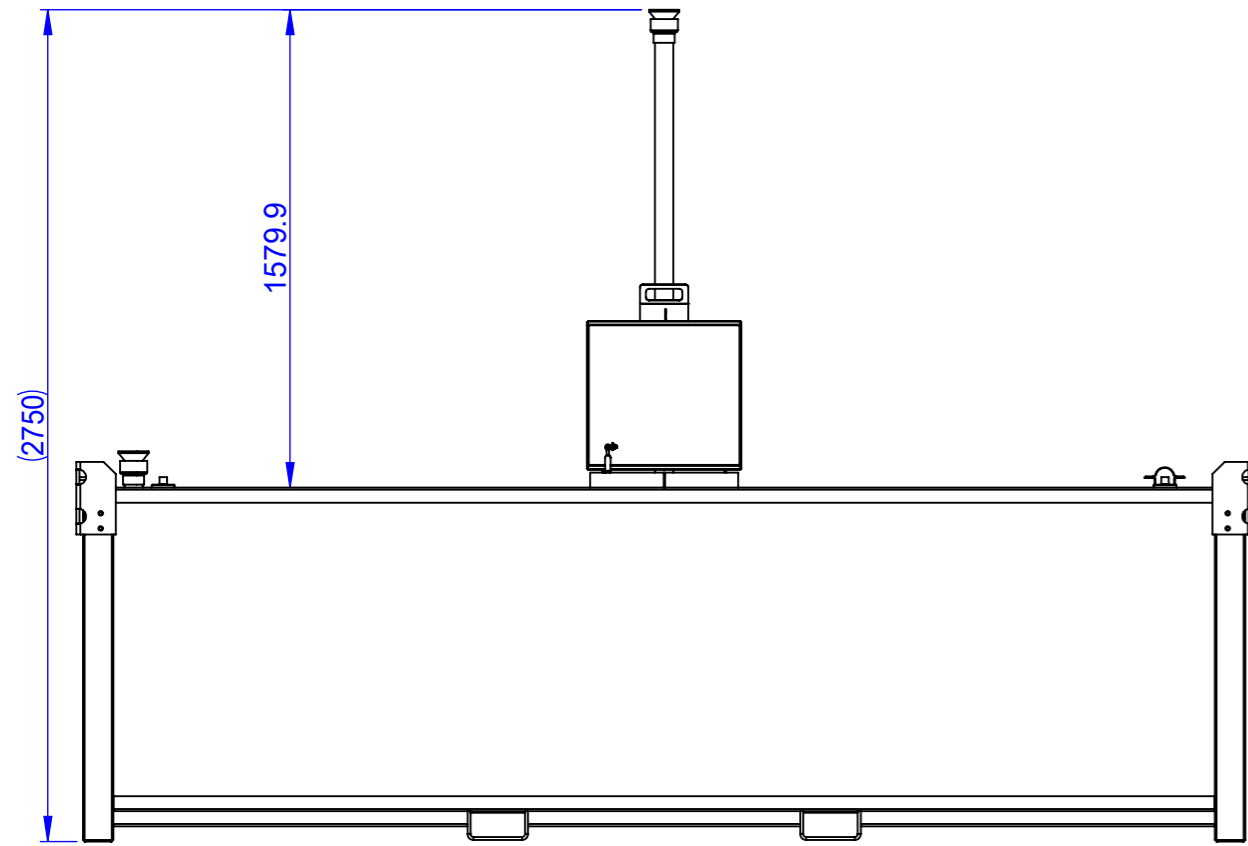
07					
06					
05					
04					
03					
02					
01					
REV:	DATE:	REVISION:	DRAWN:	CHECKED:	APPROVED:

PETRO INDUSTRIAL

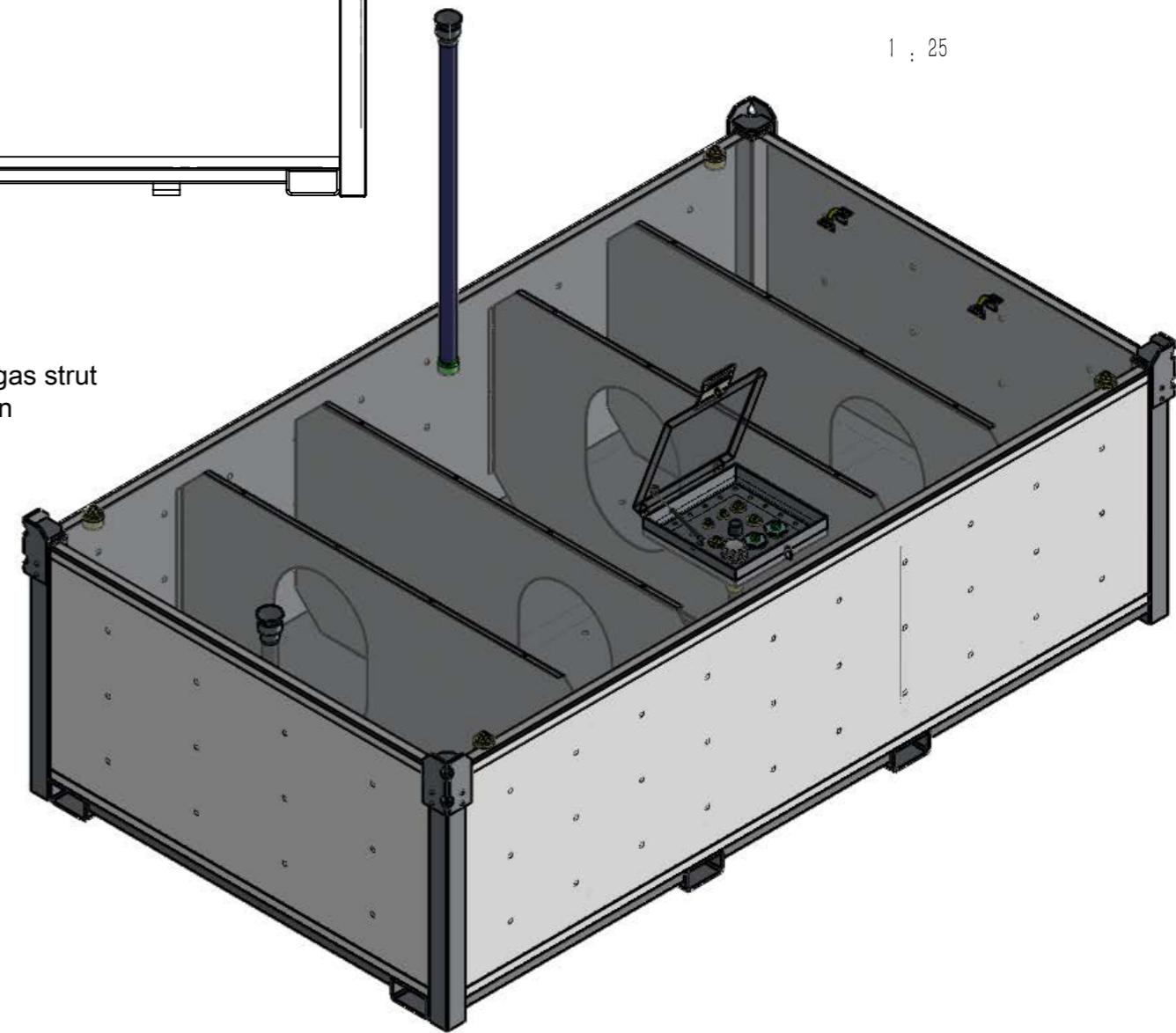
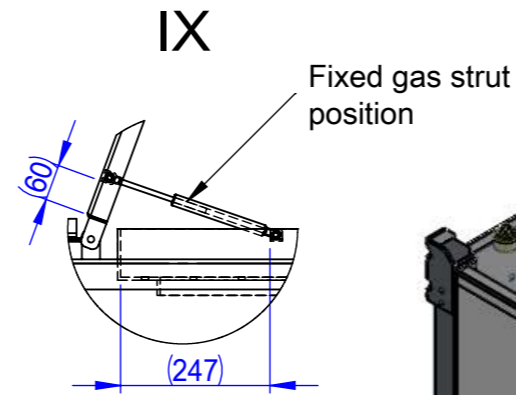
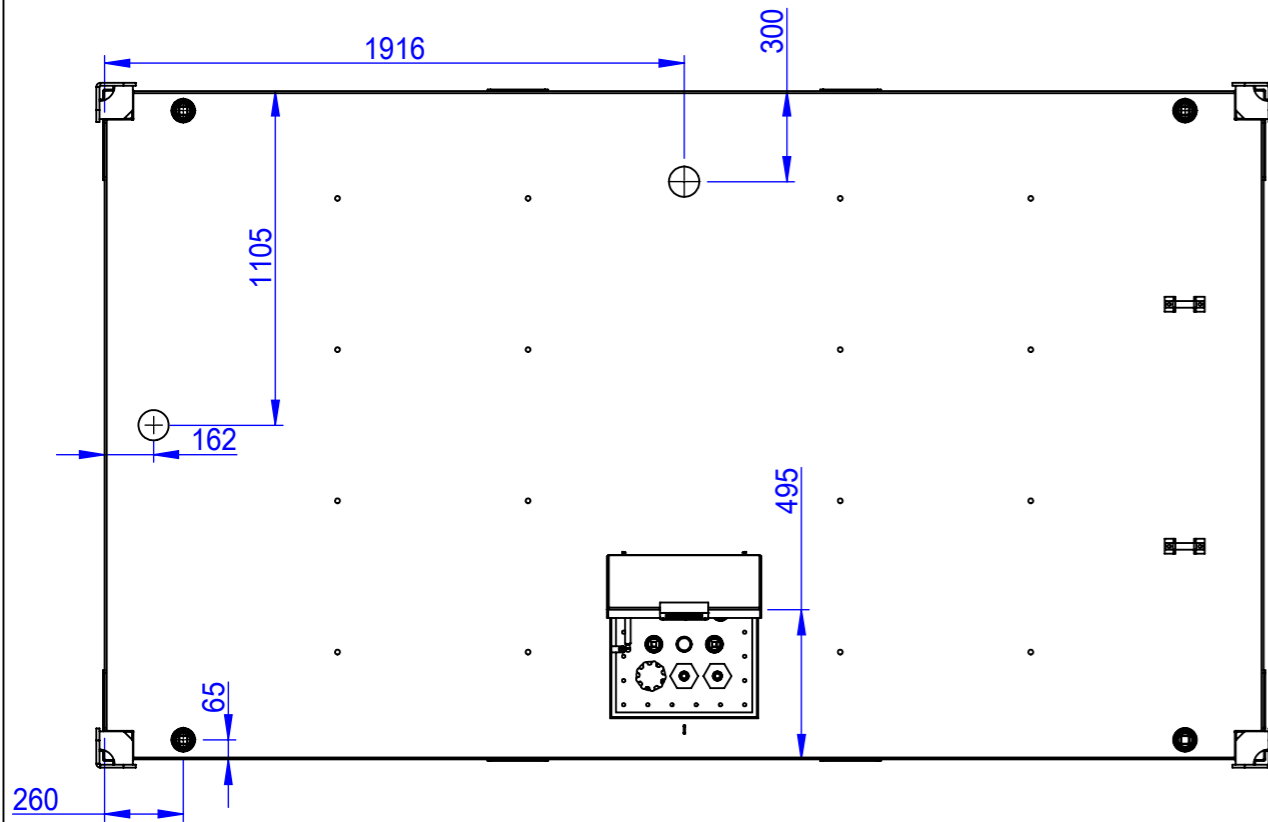
Material:
 Weight: 2070.51KG

DRAWN:	DATE: 2018/5/2
CHECKED:	DATE:
CLIENT:	DATE:
APPROVED:	DATE:

TITLE: PETRO T-SERIES 8.8		REV: 01	A3
DRAWING NO. :			
PURCHASE ORDER NO. :		SHEET: 1 of 4	Scale: No scale



1 : 25



07					
06					
05					
04					
03					
02					
01					
REV:	DATE:	REVISION:	DRAWN:	CHECKED:	APPROVED:



Material:
Weight: 2070.51KG

DRAWN:
CHECKED:
CLIENT:
APPROVED:

DATE: 2018/5/2
DATE:
DATE:
DATE:

TITLE: PETRO T-SERIES 8.8
DRAWING NO. :
PURCHASE ORDER NO. :

REV: 01
SHEET: 2 of 4
Scale: No scale

A3

