

Size	Total Fill Level (L)	Safe Fill Level (L)	Length (mm)	Width (mm)	Height (mm)
T5.5	5500	5000	2486	2294	1255

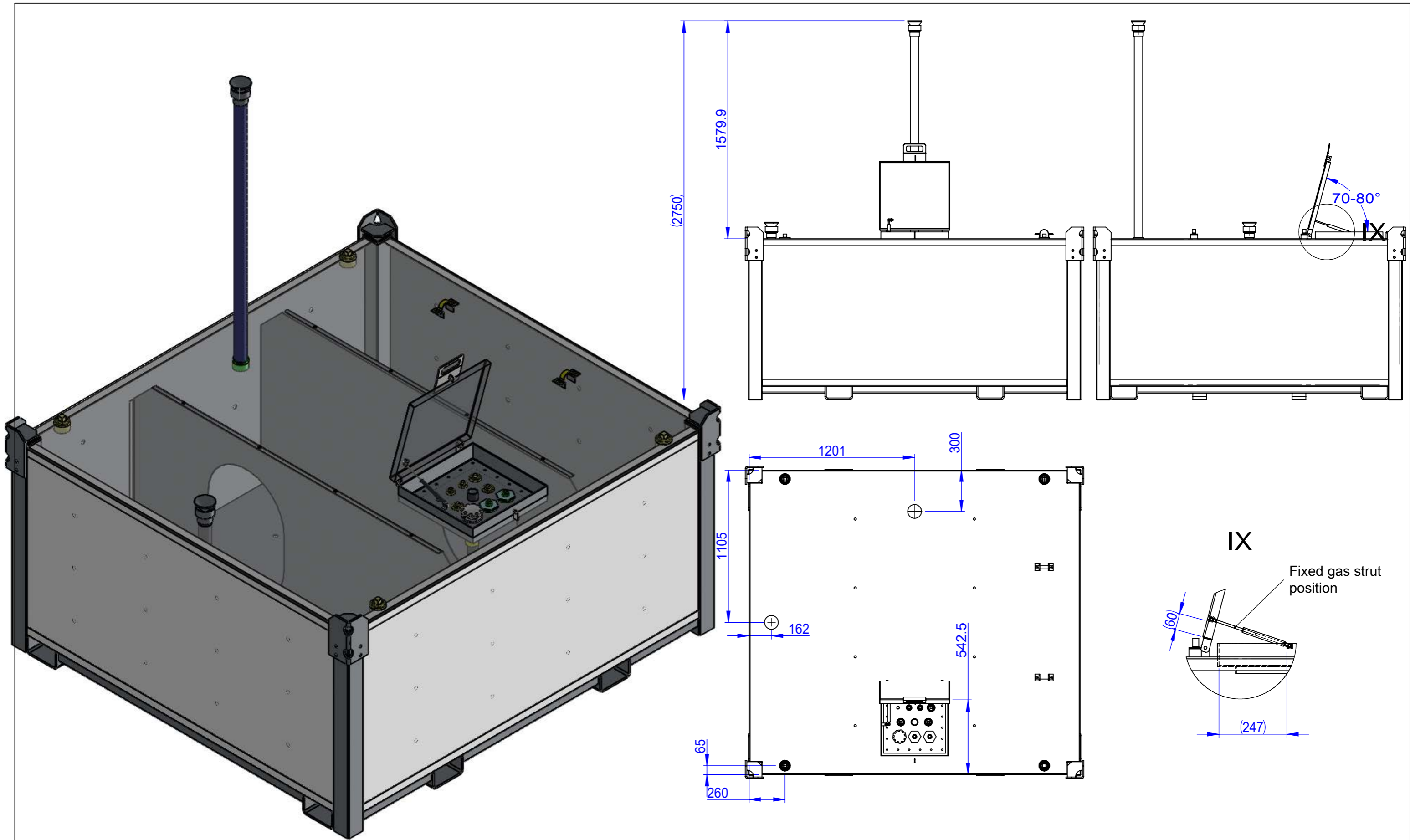
07					
06					
05					
04					
03					
02					
01					
REV:	DATE:	REVISION:	DRAWN:	CHECKED:	APPROVED:



Material:
Weight: 1407.90KG

DRAWN:
DATE: 2018/5/2
CHECKED:
DATE:
CLIENT:
DATE:
APPROVED:
DATE:

TITLE:
PETRO T-SERIES 5.5
DRAWING NO. :
REV: 01
SHEET: 1 of 4
Scale: No scale
PURCHASE ORDER NO. :
A3



07					
06					
05					
04					
03					
02					
01					
REV:	DATE:	REVISION:	DRAWN:	CHECKED:	APPROVED:



Material:
Weight: 1407.90KG

DRAWN:

CHECKED:

CLIENT:

APPROVED:

DATE:

2018/5/2

DATE:

DATE:

TITLE:

PETRO T-SERIES 5.5

DRAWING NO. :

PURCHASE ORDER NO. :

REV: 01
SHEET: 2 of 4

Scale: No scale

A3

