

Size	Total Fill Level (L)	Safe Fill Level (L)	Length (mm)	Width (mm)	Height (mm)
T4.5	4500	4000	2294	2084	1255

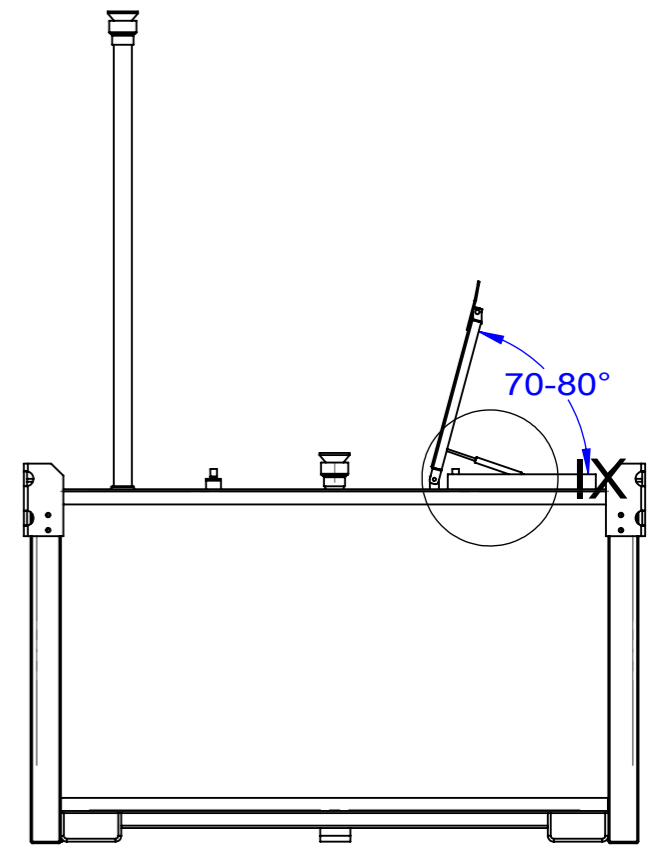
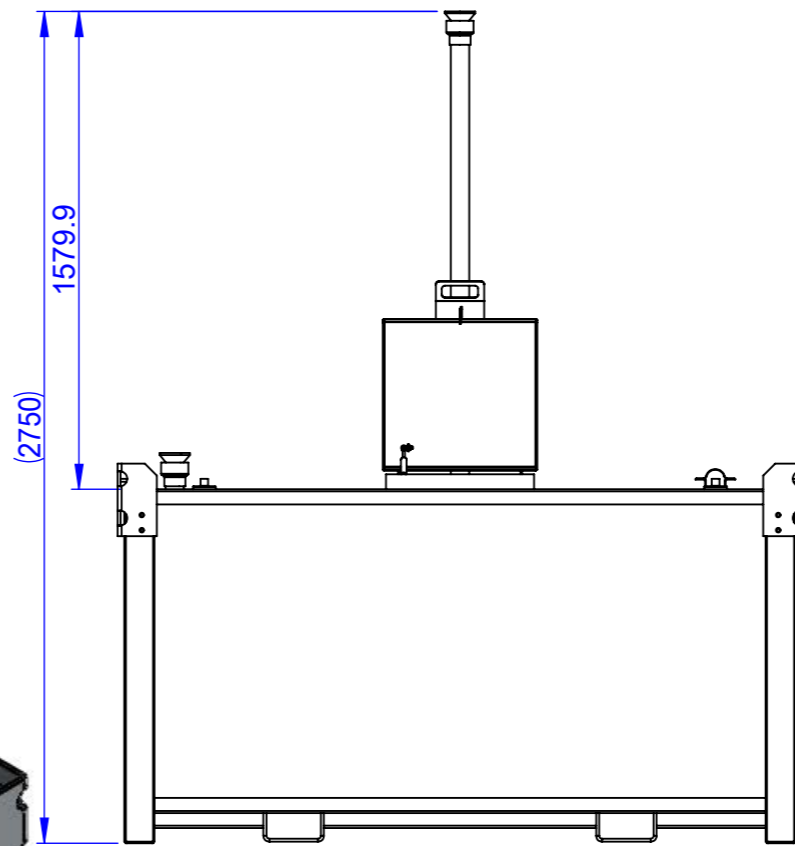
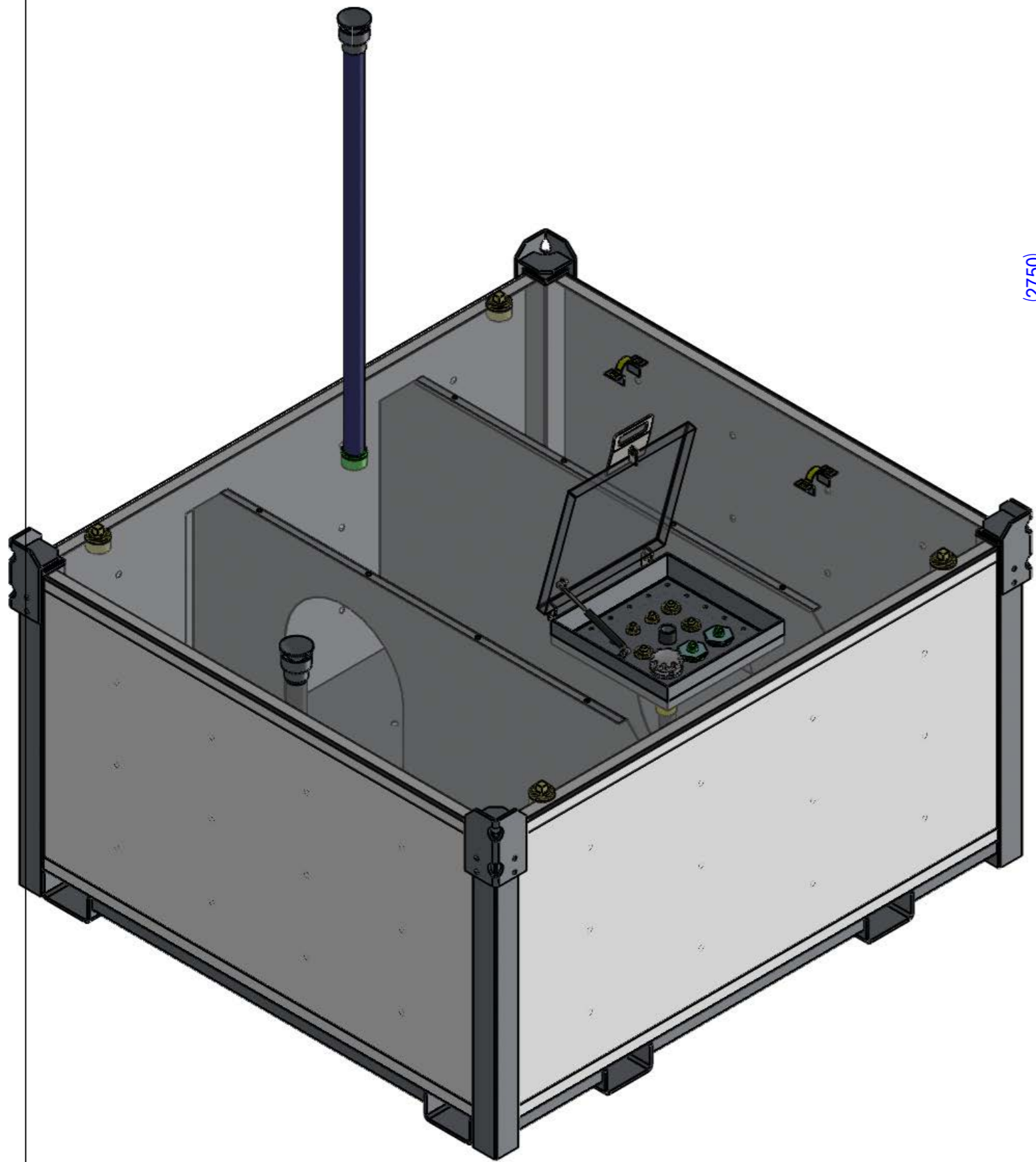
07					
06					
05					
04					
03					
02					
01					
REV:	DATE:	REVISION:	DRAWN:	CHECKED:	APPROVED:



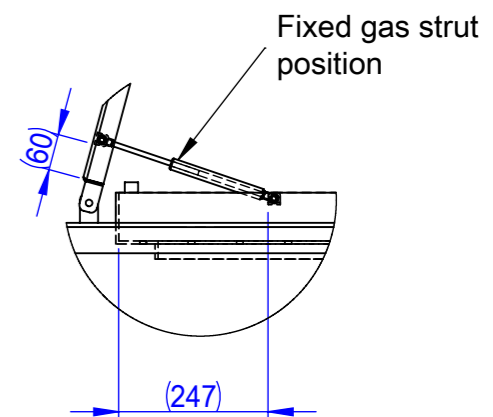
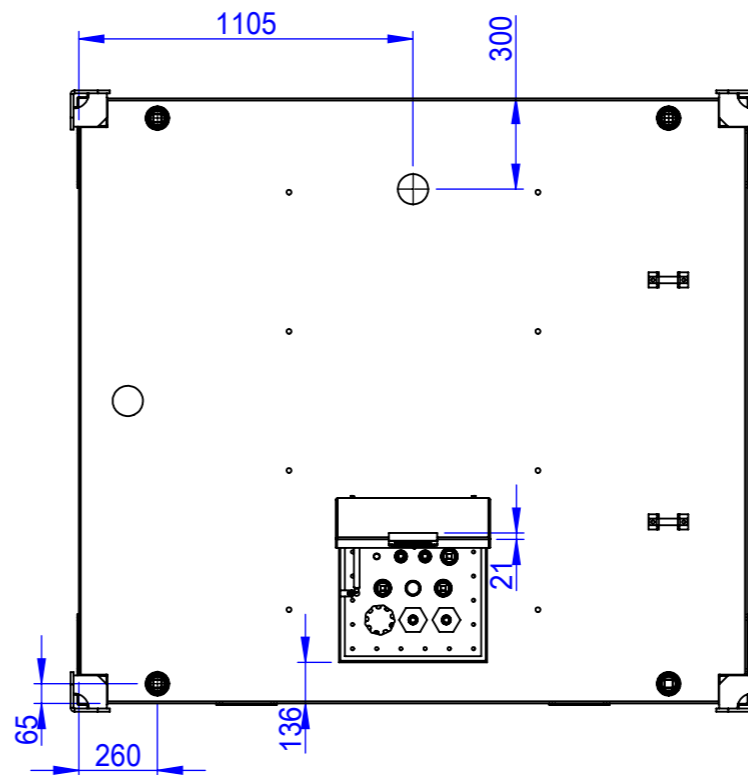
Material:
Weight: 1237.81KG

DRAWN:
DATE: 2018/5/2
CHECKED:
DATE:
CLIENT:
DATE:
APPROVED:
DATE:

TITLE:
PETRO T-SERIES 4.5
DRAWING NO. :
REV: 01
SHEET: 1 of 5
Scale: No scale
PURCHASE ORDER NO. :
A3



IX



07					
06					
05					
04					
03					
02					
01					
REV:	DATE:	REVISION:	DRAWN:	CHECKED:	APPROVED:



Material:
Weight: 1237.81KG

DRAWN: DATE: 2018/5/2
 CHECKED: DATE:
 CLIENT: DATE:
 APPROVED: DATE:

TITLE: PETRO T-SERIES 4.5
 DRAWING NO. :
 PURCHASE ORDER NO. :
 REV: 01
 SHEET: 2 of 5
 Scale: No scale

A3

