

Size	Total Fill Level (L)	Safe Fill Level (L)	Length (mm)	Width (mm)	Height (mm)
T3.3	3300	3000	2294	1546	1255

07					
06					
05					
04					
03					
02					
01					
REV:	DATE:	REVISION:	DRAWN:	CHECKED:	APPROVED:

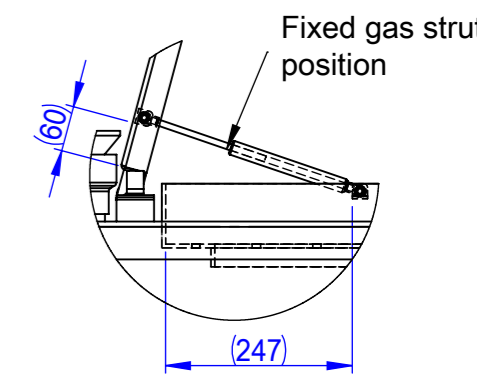
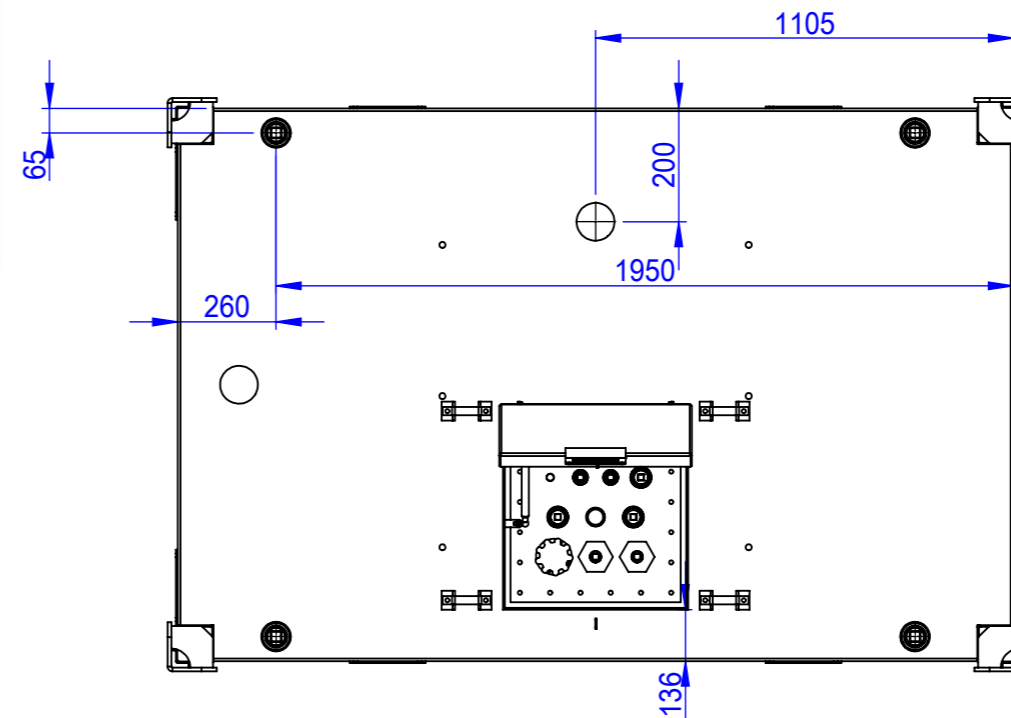
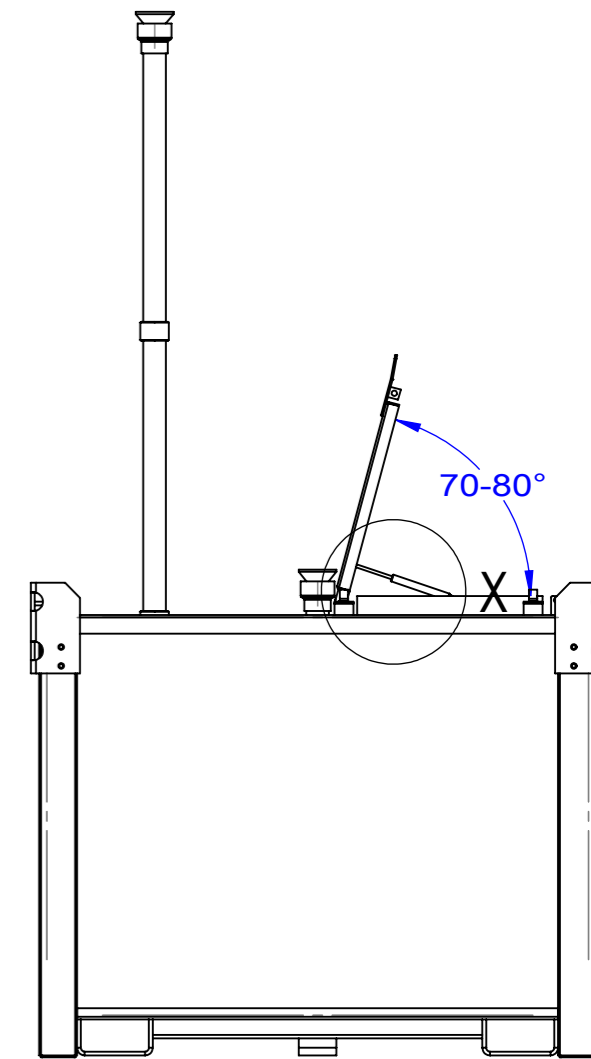
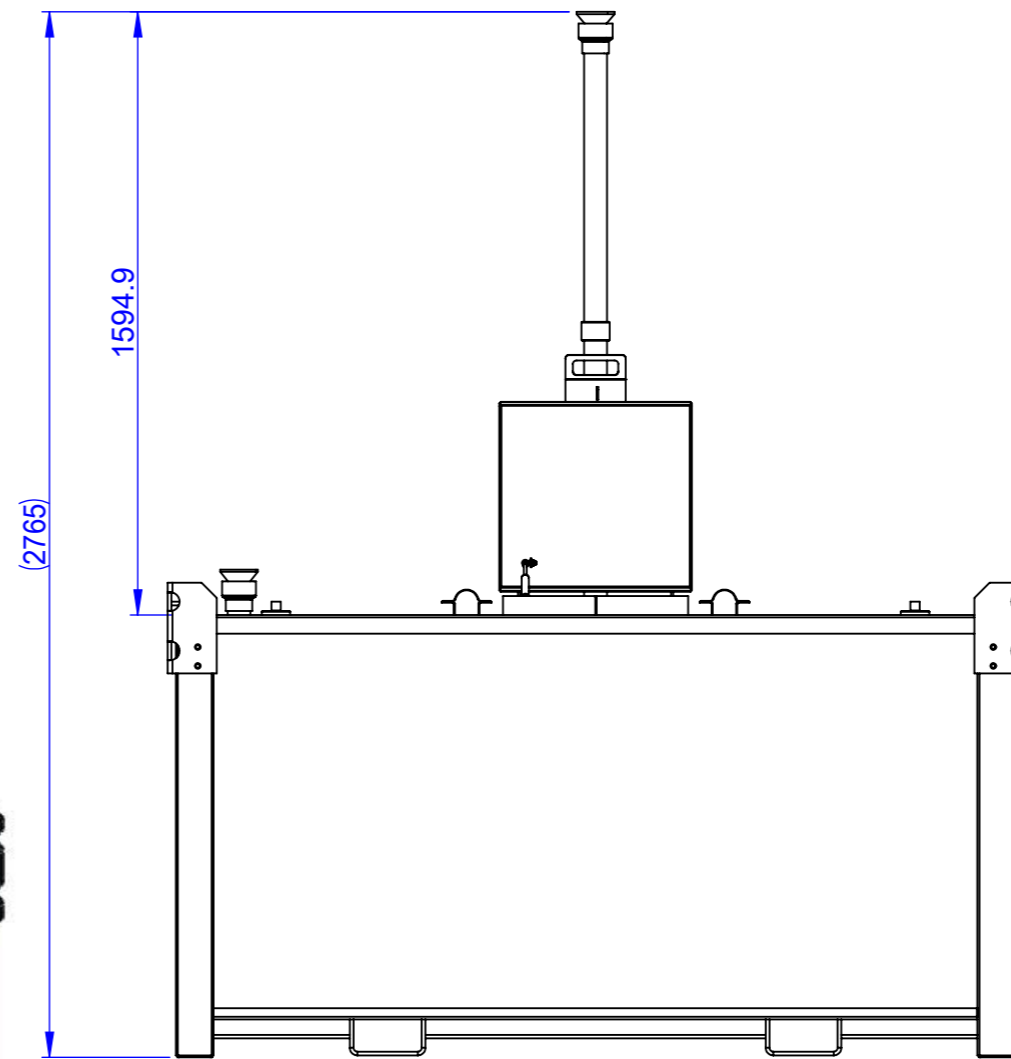
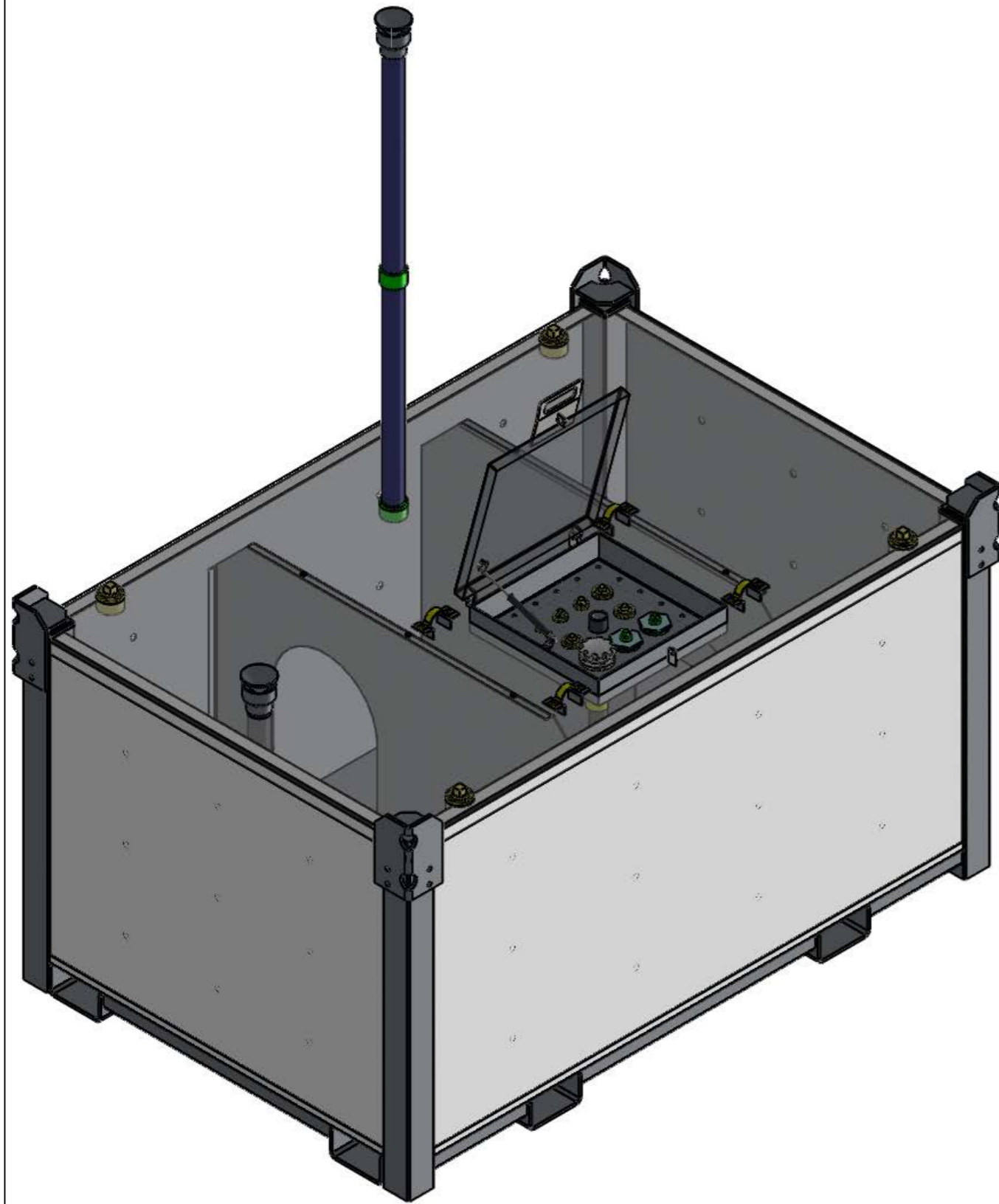


Material: \_\_\_\_\_  
Weight: 1018.09KG

DRAWN: \_\_\_\_\_ DATE: 2018/5/2  
CHECKED: \_\_\_\_\_ DATE: \_\_\_\_\_  
CLIENT: \_\_\_\_\_ DATE: \_\_\_\_\_  
APPROVED: \_\_\_\_\_ DATE: \_\_\_\_\_

TITLE: PETRO T-SERIES 3.3  
DRAWING NO. : \_\_\_\_\_  
PURCHASE ORDER NO. : \_\_\_\_\_

REV: 01	A3
SHEET: 1 of 5	
Scale: No scale	⊕ - ▽



07					
06					
05					
04					
03					
02					
01					
REV:	DATE:	REVISION:	DRAWN:	CHECKED:	APPROVED:



Material:  
Weight: 1018.09KG

DRAWN:  
DATE: 2018/5/2  
CHECKED:  
DATE:  
CLIENT:  
DATE:  
APPROVED:  
DATE:

TITLE:  
PETRO T-SERIES 3.3

DRAWING NO. :

REV:  
01  
SHEET:  
2 of 5

A3

PURCHASE  
ORDER NO. :

Scale:  
No scale

