

Size	Total Fill Level (L)	Safe Fill Level (L)	Length (mm)	Width (mm)	Height (mm)
T2.25	2250	2000	2294	1086	1255

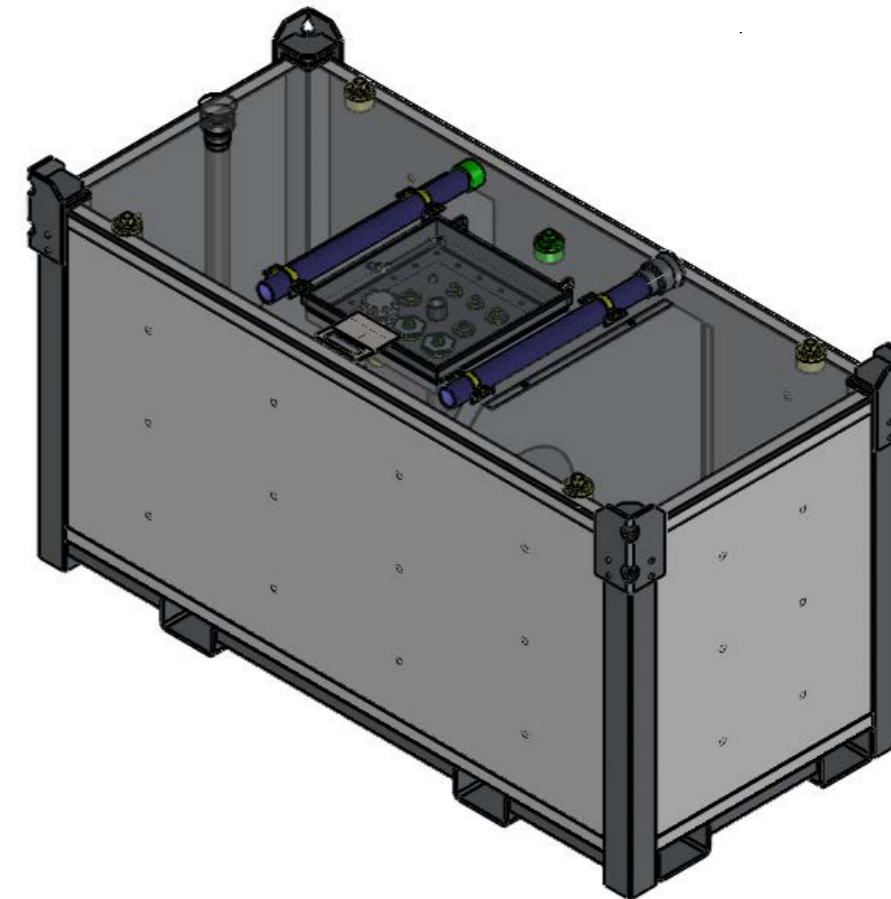
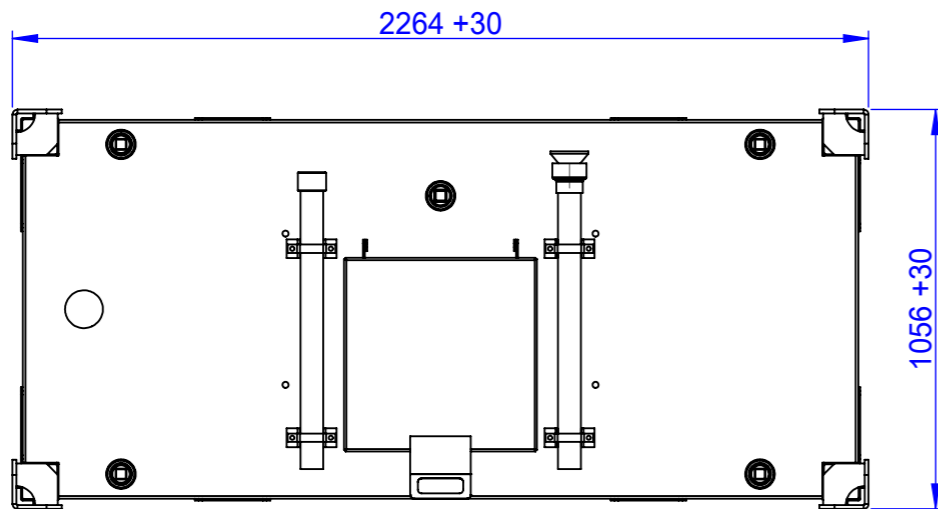
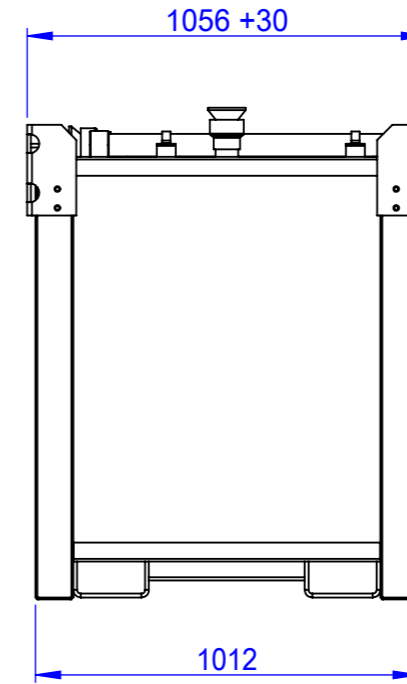
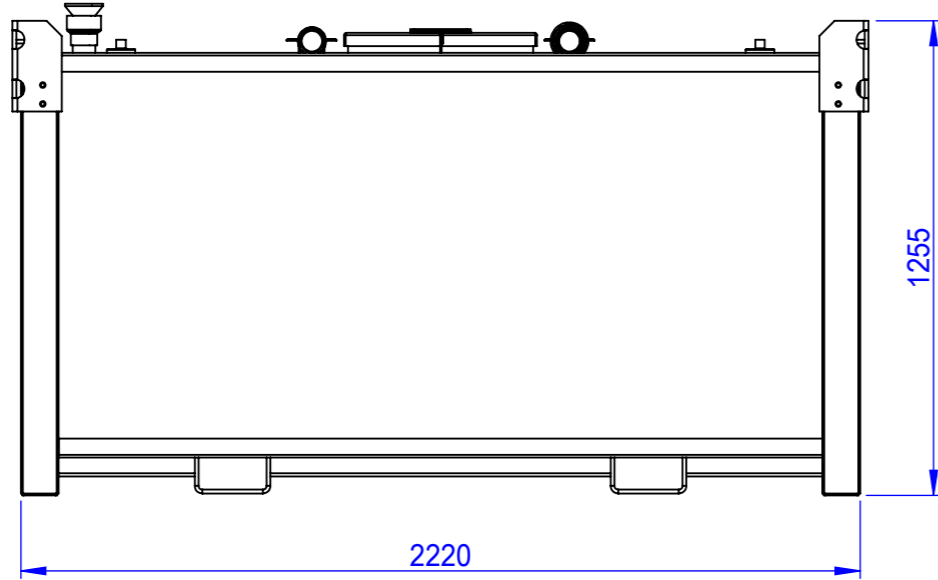
07					
06					
05					
04					
03					
02					
01					
REV:	DATE:	REVISION:	DRAWN:	CHECKED:	APPROVED:



Material:
Weight: 820.34KG

DRAWN:
DATE: 2018/5/2
CHECKED:
DATE:
CLIENT:
DATE:
APPROVED:
DATE:

TITLE:
PETRO T-SERIES 2.25
DRAWING NO. :
REV: 01
SHEET: 1 of 6
Scale: No scale
PURCHASE ORDER NO. :
A3



07					
06					
05					
04					
03					
02					
01					
REV:	DATE:	REVISION:	DRAWN:	CHECKED:	APPROVED:



Material:
Weight: 820.34KG

DRAWN: DATE: 2018/5/2
 CHECKED: DATE:
 CLIENT: DATE:
 APPROVED: DATE:

TITLE: PETRO T-SERIES 2.25
 DRAWING NO. :
 PURCHASE ORDER NO. :

REV: 01
 SHEET: 2 of 6
 Scale: No scale

