

Size	Total Fill Level (L)	Safe Fill Level (L)	Length (mm)	Width (mm)	Height (mm)
T11	11000	10000	4876	2294	1255

07					
06					
05					
04					
03					
02					
01					
REV:	DATE:	REVISION:	DRAWN:	CHECKED:	APPROVED:

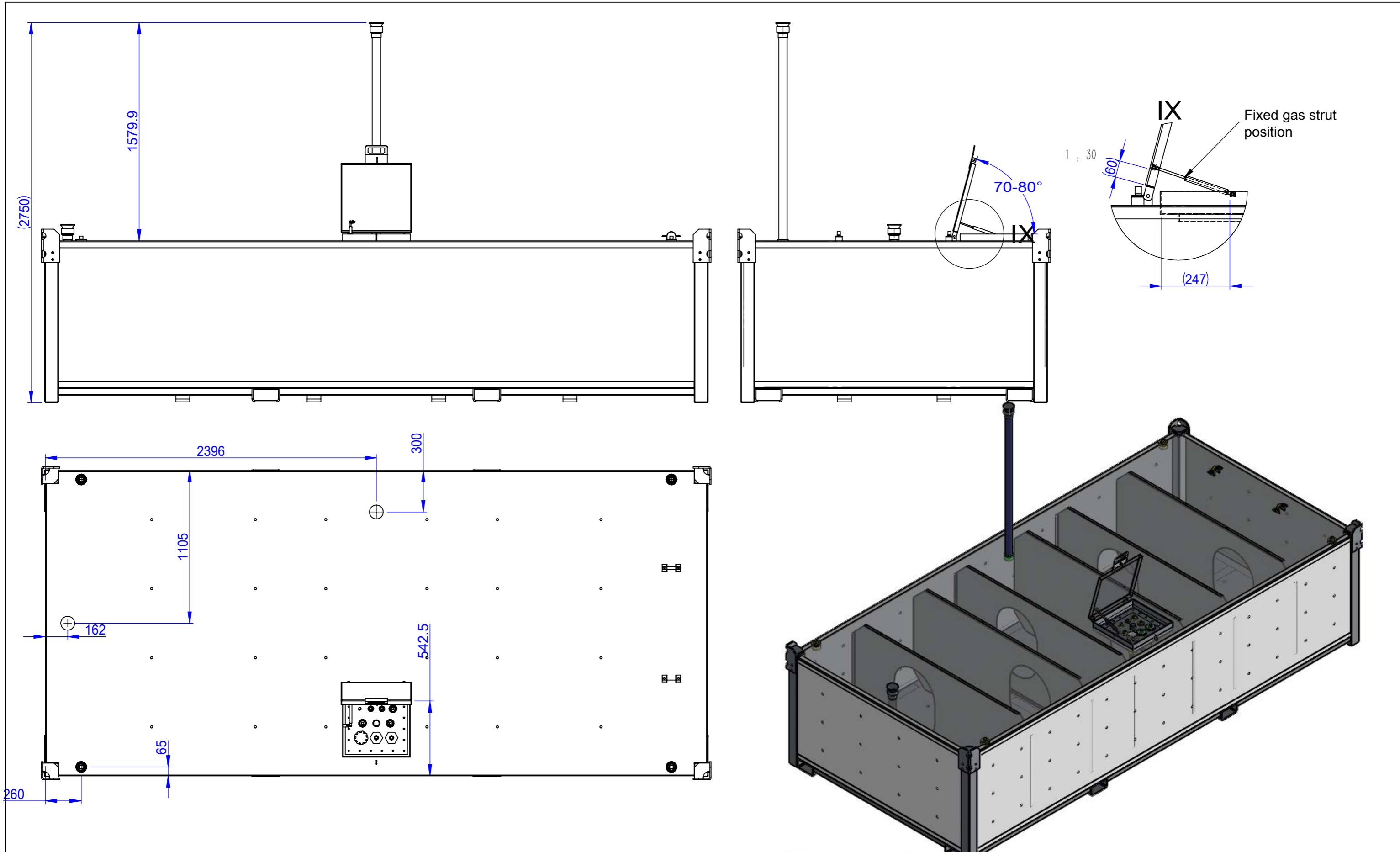


Material: _____
Weight: 2551.85KG

DRAWN: _____ DATE: 2018/5/2
CHECKED: _____ DATE: _____
CLIENT: _____ DATE: _____
APPROVED: _____ DATE: _____

TITLE: PETRO T-SERIES 11
DRAWING NO. : _____
PURCHASE ORDER NO. : _____

REV: 01	A3
SHEET: 1 of 4	
Scale: No scale	⊕ - ▸



07					
06					
05					
04					
03					
02					
01					
REV:	DATE:	REVISION:	DRAWN:	CHECKED:	APPROVED:



Material:
 Weight: 2551.85KG

DRAWN:	DATE: 2018/5/2
CHECKED:	DATE:
CLIENT:	DATE:
APPROVED:	DATE:

TITLE: PETRO T-SERIES 11	
DRAWING NO. :	REV: 01
	SHEET: 2 of 4
PURCHASE ORDER NO. :	Scale: No scale

A3

