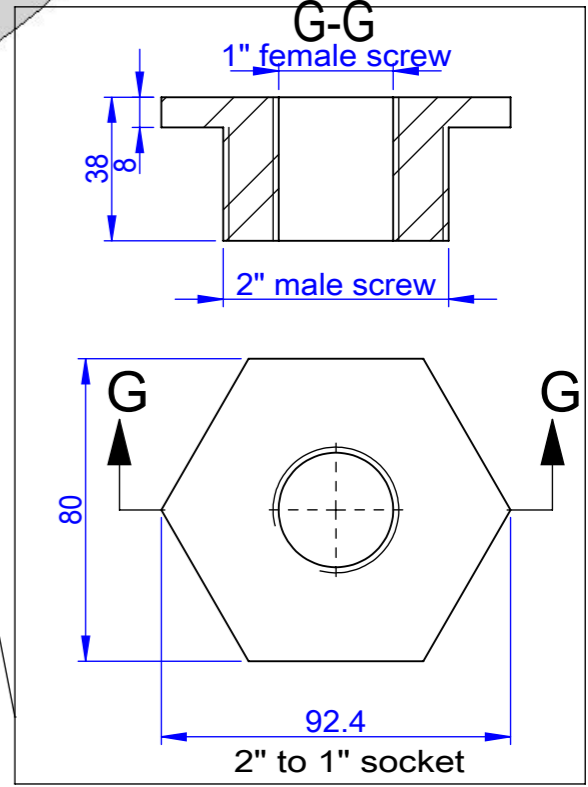


The volume of tank is 1000SFL



Size	Total Fill Level (L)	Safe Fill Level (L)	Length (mm)	Width (mm)	Height (mm)
T1.1	1100	1000	1374	1086	1255

07					
06					
05					
04					
03					
02					
01					
REV:	DATE:	REVISION:	DRAWN:	CHECKED:	APPROVED:

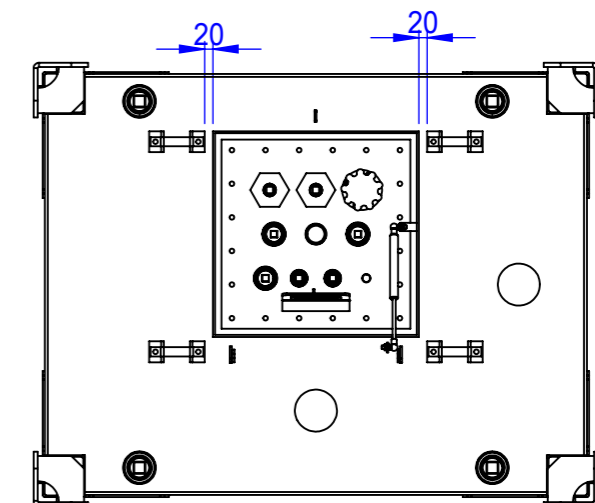
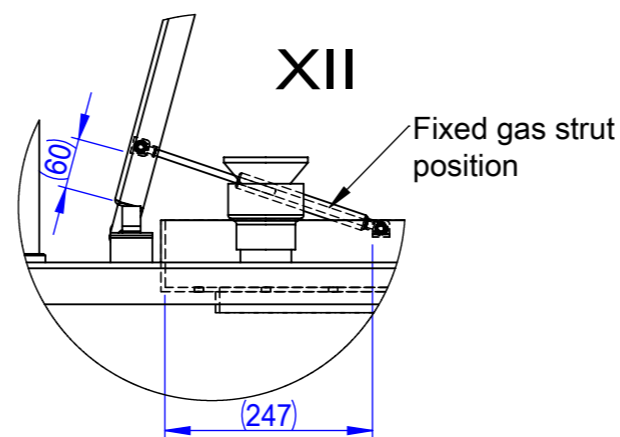
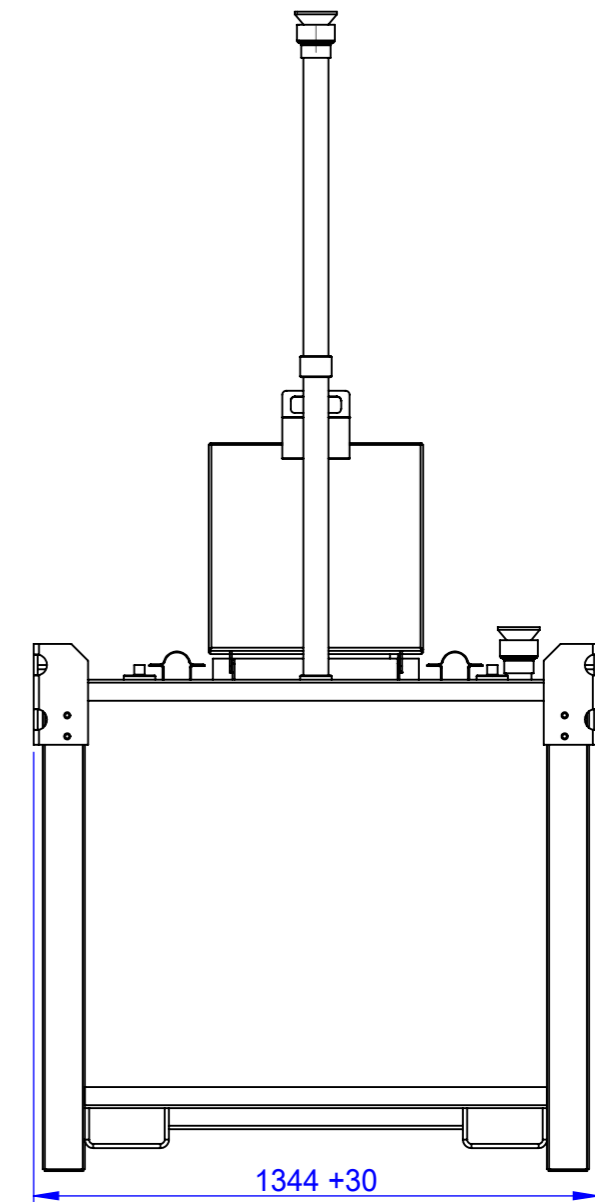
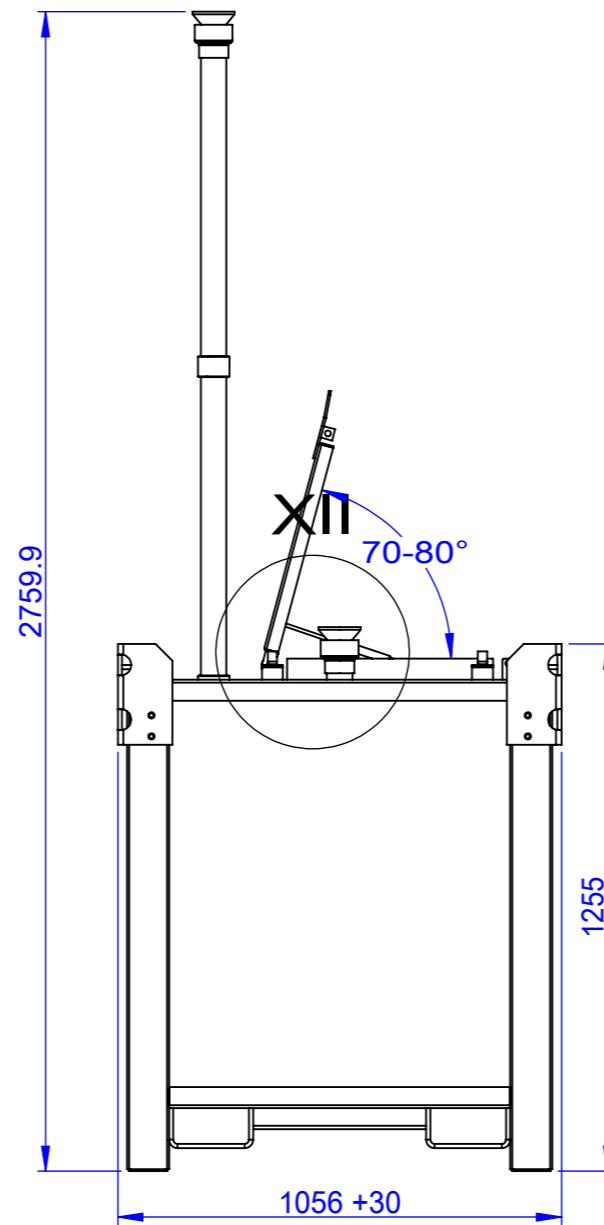
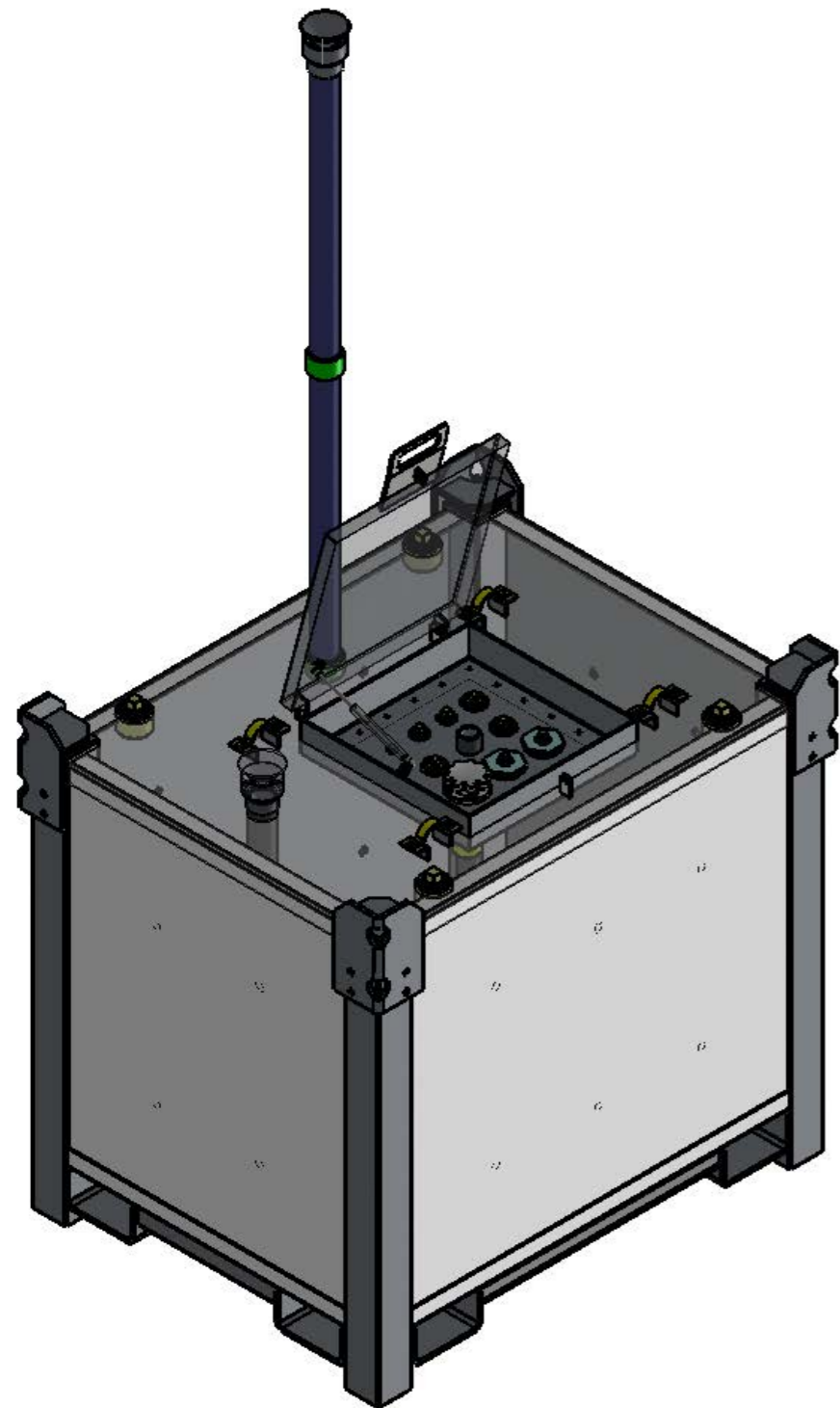
**PETRO INDUSTRIAL**  
000L

Material: \_\_\_\_\_  
Weight: 548.10KG

DRAWN:	DATE: 2018/5/2
CHECKED:	DATE:
CLIENT:	DATE:
APPROVED:	DATE:

TITLE: PETRO T-SERIES 1.1	
DRAWING NO. :	REV: 01
	SHEET: 1 of 5
PURCHASE ORDER NO. :	Scale: No scale

**A3**



07					
06					
05					
04					
03					
02					
01					
REV:	DATE:	REVISION:	DRAWN:	CHECKED:	APPROVED:



Material:  
Weight: 548.10KG

DRAWN:  
DATE: 2018/5/2  
CHECKED:  
DATE:  
CLIENT:  
DATE:  
APPROVED:  
DATE:

TITLE:  
PETRO T-SERIES 1.1  
DRAWING NO. :  
PURCHASE ORDER NO. :

REV: 01  
SHEET: 2 of 5  
Scale: No scale

A3

