



Standard Range 316SS

BUTTERFLY VALVES T/E MANUAL, AIR & ELECTRIC OPERATED RANGE

Item code: BFSSTD-SUP1

Common applications include food industry, chemicals, pharmaceuticals and other industrial applications.

- The BFS series of butterfly valve has a 316 Stainless Steel body, PTFE coated 316 S.S disc and a PTFE coated EPDM seat making them suited to a wide range of high end applications.
- These wafer butterfly valves will fit all standard flanges and are operated by either a lever or gear box.
- The unique bonded cartridge design gives them a longer life span, allow vacuum to be run through them and makes them replaceable if ever the need should arise.
- If sizes above 300mm are required please contact us.

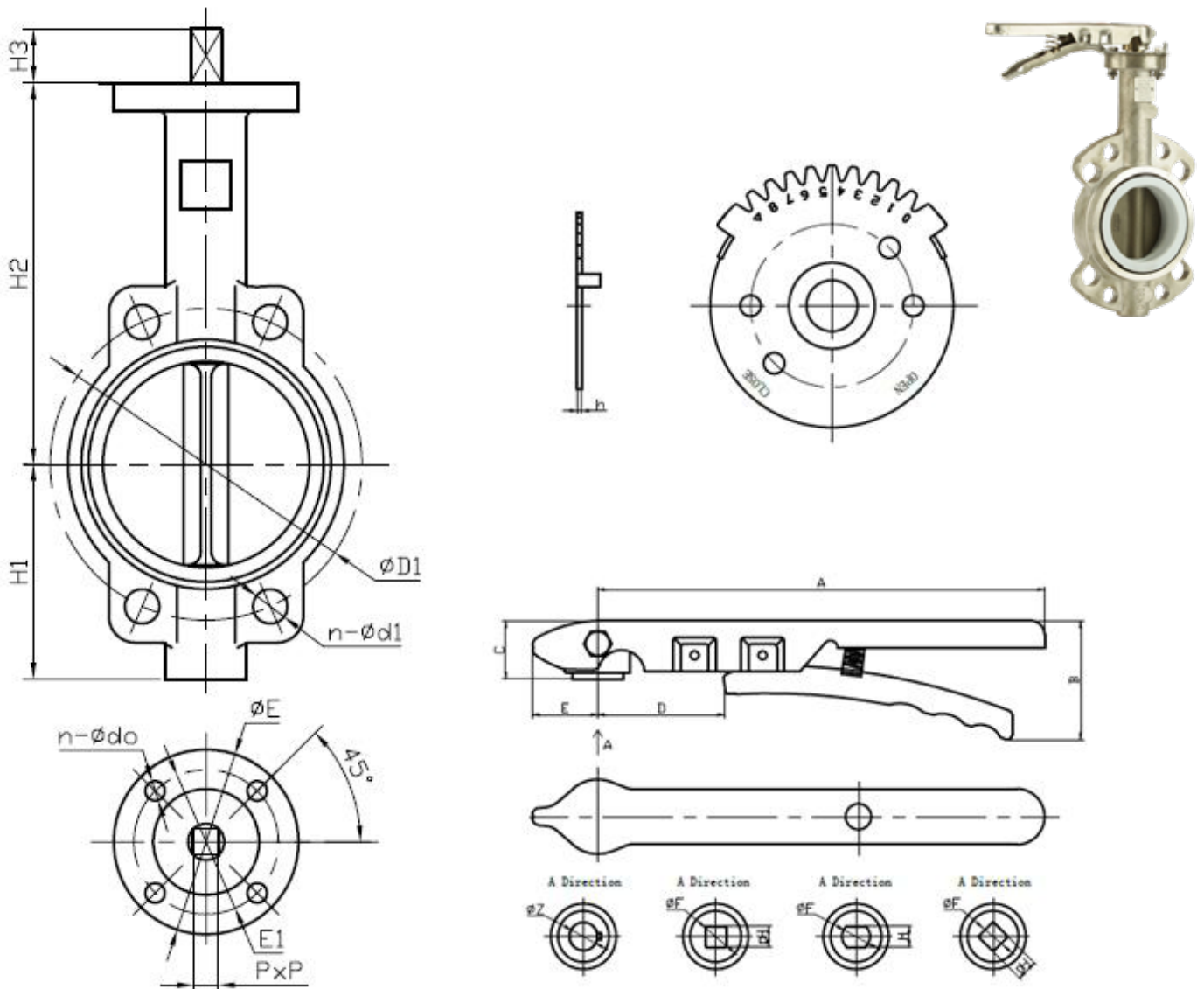
STAINLESS STEEL MANUAL SPECIFICATIONS:

Model	Size (mm)	Pressure Range	Temperature	Square drive size	ISO Mtg
BFS50-L-E	50	0 to 16 Bar	-10°C to 120°C	9mm	F05
BFS65-L-E	65	0 to 16 Bar	-10°C to 120°C	9mm	F05
BFS80-L-E	80	0 to 16 Bar	-10°C to 120°C	9mm	F05
BFS100-L-E	100	0 to 16 Bar	-10°C to 120°C	11mm	F07
BFS125-L-E	125	0 to 16 Bar	-10°C to 120°C	14mm	F07
BFS150-L-E	150	0 to 16 Bar	-10°C to 120°C	14mm	F07
BFS200-L-E	200	0 to 16 Bar	-10°C to 120°C	17mm	F10
BFS250-L-E	250	0 to 16 Bar	-10°C to 120°C	22mm	F10
BFS300-L-E	300	0 to 16 Bar	-10°C to 120°C	22mm	F10

DIMENSIONS:

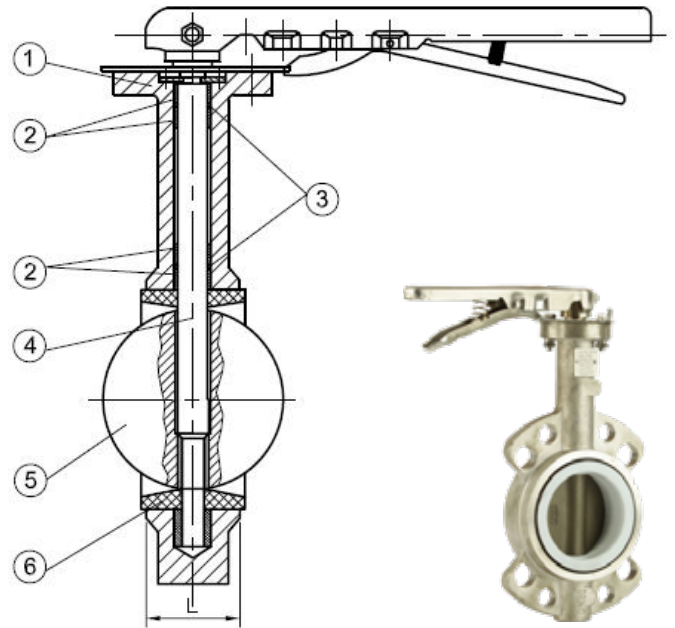
DN	L	Table D		Table E		ANSI150		BS4504 PN16		H1	H2	H3	Flange No	ØE	PxP
		ØD1	n-Ød1	ØD1	n-Ød1	ØD1	n-Ød1	ØD1	n-Ød1						
50	43	114	4-18	114	4-18	120.6	4-19	125	4-19	71.3	125	29	F05	65	9x9
65	46	127	4-18	127	4-18	139.7	4-19	145	4-19	77.5	140	29	F05	65	9x9
80	46	146	4-18	146	4-18	152.4	4-19	160	8-19	89.2	145	29	F05	65	9x9
100	52	173	4-18	178	8-18	190.5	8-19	180	8-19	101.5	165	29	F07	90	11x11
125	56	210	8-18	210	8-18	215.9	8-22.4	210	8-19	117.5	178	29	F07	90	14x14
150	56	235	8-18	235	8-22	241.3	8-22.4	240	8-23	145	185	29	F07	90	14x14
200	60	292	8-18	292	8-22	298.4	8-22.4	295	12-23	163.5	225	35	F10	125	17x17
250	68	356	8-22	356	12-22	361.9	12-25.4	355	12-28	190.5	257	35	F10	125	22x22
300	78	406	12-22	406	12-26	431.8	12-25.4	410	12-28	230	302	35	F10	125	22x22

DN	Top	ØZ	ØF	H	Notch Plate		Handle				
					h	A	B	C	D	E	
40-80	F05	12.6	12.1	9	2	192	55.5	29	37	26.5	
100	F07	15.77	15.77	11	2.5	216	48	29	54	28	
125-150	F07	18.92	18.92	14	2.5	259	46	29	54	24	
200-250	F10	22.2	22.2	17	2.5	350	78	33	81	29	
300	F10	31.6	31.6	22	2.5	375	73	32	81	25	



CONSTRUCTION:

Number	Name	Material
1	Body	316 S.S
2	Bushing	PTFE
3	O Ring	EPDM
4	Stem	316 S.S
5	Disc	PTFE coated 316 S.S
6	Seat	PTFE coated EPDM
	Handle	304 S.S
	Notch Plate	304 S.S
	Fasteners	304 S.S
	Nominal Pressure	PN10
	Working Temperature	-20°C to +120°C



STAINLESS STEEL DOUBLING ACTING SPECIFICATIONS:

Model	Size (mm)	Actuator	Media Pressure	Media Temperature	Actuator Pressure
BFS50-DA-T	50	DA63	Vacuum to 10 BAR	-20°C to 120°C	6 to 8 BAR
BFS65-DA-T	65	DA75	Vacuum to 10 BAR	-20°C to 120°C	6 to 8 BAR
BFS80-DA-T	80	DA75	Vacuum to 10 BAR	-20°C to 120°C	6 to 8 BAR
BFS100-DA-T	100	DA88	Vacuum to 10 BAR	-20°C to 120°C	6 to 8 BAR
BFS125-DA-T	125	DA100	Vacuum to 10 BAR	-20°C to 120°C	6 to 8 BAR
BFS150-DA-T	150	DA115	Vacuum to 10 BAR	-20°C to 120°C	6 to 8 BAR
BFS200-DA-T	200	DA125	Vacuum to 10 BAR	-20°C to 120°C	6 to 8 BAR
BFS250-DA-T	250	DA160	Vacuum to 10 BAR	-20°C to 120°C	6 to 8 BAR
BFS300-DA-T	300	DA180	Vacuum to 10 BAR	-20°C to 120°C	6 to 8 BAR

STAINLESS STEEL ELECTRIC SPECIFICATIONS:

Model	Size (mm)	Actuator	Media Pressure	Media Temperature
BFS50-E*-T	50	0M-1	Vacuum to 10 BAR	-20°C to 120°C
BFS65-E*-T	65	0M-1	Vacuum to 10 BAR	-20°C to 120°C
BFS80-E*-T	80	0M-A	Vacuum to 10 BAR	-20°C to 120°C
BFS100-E*-T	100	0M-2	Vacuum to 10 BAR	-20°C to 120°C
BFS125-E*-T	125	0M-3	Vacuum to 10 BAR	-20°C to 120°C
BFS150-E*-T	150	0M-4	Vacuum to 10 BAR	-20°C to 120°C
BFS200-E*-T	200	0M-4	Vacuum to 10 BAR	-20°C to 120°C
BFS250-E*-T	250	0M-6	Vacuum to 10 BAR	-20°C to 120°C
BFS300-E*-T	300	0M-7	Vacuum to 10 BAR	-20°C to 120°C

*Voltages available; 12vDC, 24vDC, 24vAC, 110vAC, 240vAC, 415vAC