

**PETRO
INDUSTRIAL**



OIL SAMPLING VALVES

PRODUCTS

No/Low Pressure Sampling

LT Sampling Tube.....	3
LTJ Sampling Tube.....	4
LTJ Sight.....	5
LP Series.....	6

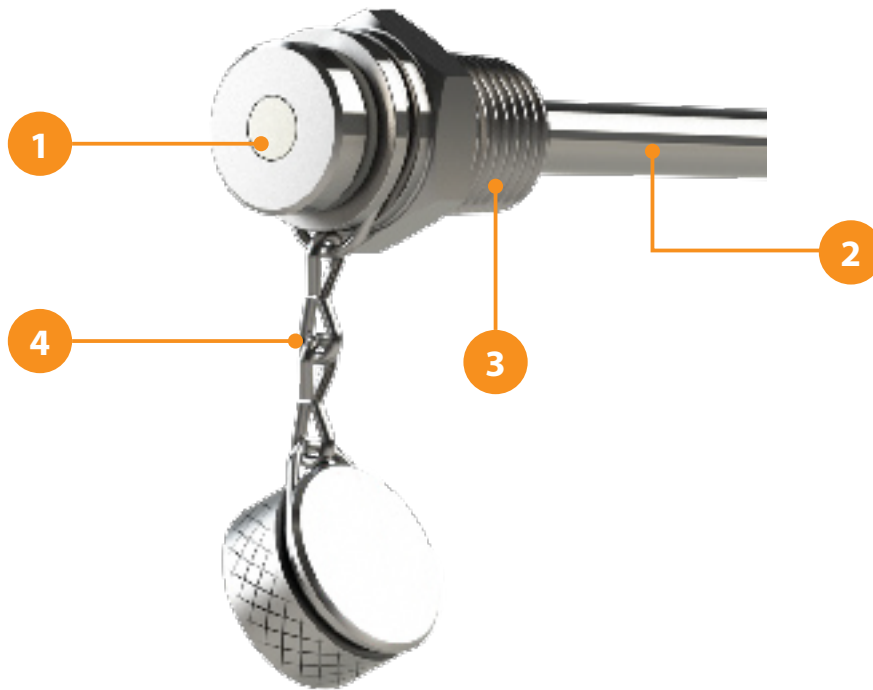
Pressurized Sampling

KP Pushbutton.....	7
KST Series.....	8

Sampling Accessories.....	9
---------------------------	---

LT SAMPLING TUBE

Eliminate the safety risk of inserting flexible plastic tubing into gearboxes and reservoirs with the LT High Flow Series. The LT's stainless tubing can be cut/ bent and installed to draw active oil. Sample from the same active zone every time, eliminating the inaccuracies of sampling too close to the bottom or sides.



FEATURES:

1. High flow flush-faced valve designed to be able to sample high viscosity gear oils up to VG 1500.
 2. Sampling tube draws only oil from the active zone- bend the tube down from the mid level port or up from the drain port.
 3. Popular 1/4" NPT thread.
 4. Stainless steel chain and clip with no exposed springs.
- Zinc-Nickel based corrosion plating offers protection 5 - 7x more life protection than industry standard.

BENEFITS:

- Spend 80% less time spent sampling.
- Samples up to 7x faster than the B16x2 series.
- Sample without shutting the equipment down - no lost production time.
- Samples only representative oil by taking from the active zone from the same location each time.
- Sampling is probe dependent (pg 9).

SAMPLING PRESSURE

0 - 125 psi
(0 - 0.86 MPa)

SEALING MATERIAL

Viton (FKM)

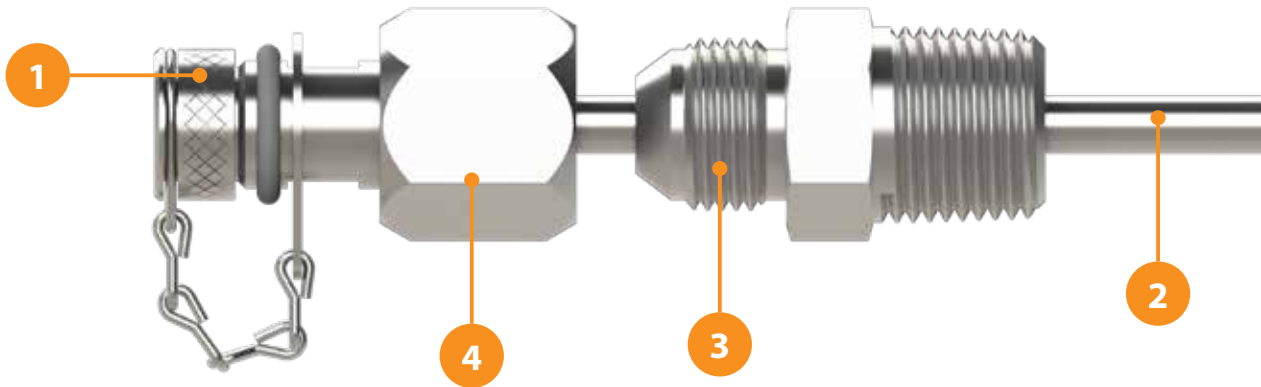
VALVE MATERIAL

Carbon Steel
Stainless Steel

GEARBOXES | RESERVOIRS

LTJ SAMPLING TUBE

The LTJ Sampling Tube makes gearbox sampling simple. All that is needed for installation is a port and standard JIC Flare fitting. Once installed, the tube can be positioned to draw oil directly from the active zone while the equipment is running, leading to more reliable, trendable, and repeatable samples.



FEATURES:

1. High flow flushface valve is designed to be able to sample high viscosity gear oils up to VG 1500.
 2. Sampling tube draws only oil from the active zone- bend the tube down from the mid level port or up from the drain port.
 3. JIC style offers one less connection point- use JIC Flare standard fitting for port installation.
 4. Swivel feature allows for bending and positioning of the tube to draw from the active zone.
- Zinc-Nickel based corrosion plating offers protection 5 - 7x more life protection than industry standard.
 - Acrylic sight glass option available.

BENEFITS:

- Spend 80% less time spent sampling.
- Samples 7x faster than the B16x2 series.
- Installs compactly into almost any port without special tools or multiple adapters.
- Sample without shutting the equipment down.
- Samples only the representative oil by taking from the active zone.
- Sampling is probe dependent (pg 9).

SAMPLING PRESSURE

0 - 125 psi
(0 - 0.86 MPa)

SEALING MATERIAL

Viton (FKM)

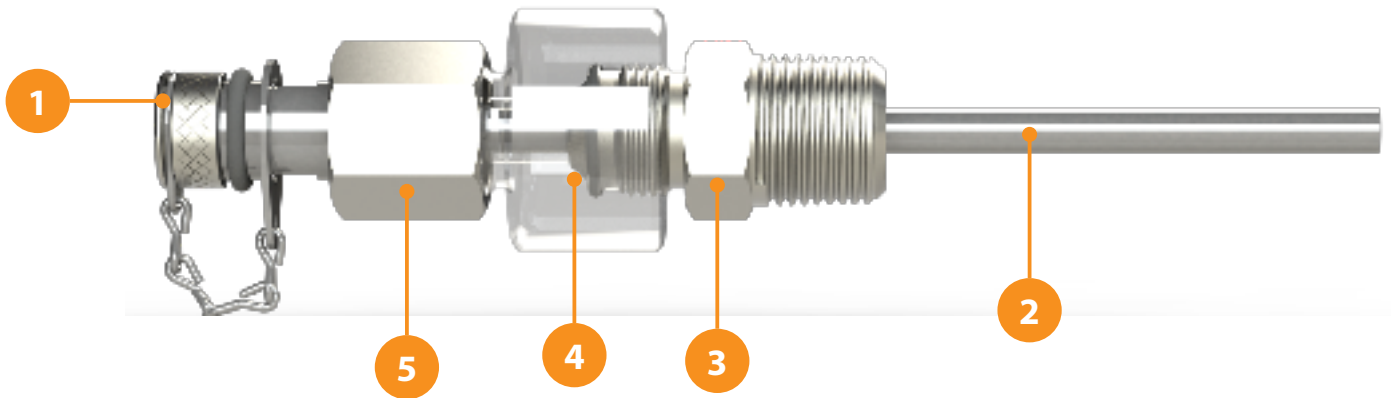
VALVE MATERIAL

Carbon Steel
Stainless Steel

GEARBOXES | RESERVOIRS

LTJ SIGHT

The LTJ Sight makes it possible to complete quick preventative maintenance inspections for oil level and oil coloration. The sampling tube can be used in a mid level sight port with the tube pointing down to reach the active zone.



FEATURES:

1. High flow flushface valve is designed to be able to sample high viscosity gear oils up to VG 1500.
 2. Sampling tube draws only oil from the active zone.
 3. JIC style offers one less connection point.
 4. 3D Sight Glass offers visual inspections for oil level and oil coloration.
 5. Swivel feature allows for bending and positioning of the tube to draw from the active zone.
- Zinc-Nickel based corrosion plating offers protection 5 - 7x more life protection than industry standard.

BENEFITS:

- Detect oil levels and colouration more accurately and from any angle with the 3D Sight Glass.
- Spend 80% less time spent sampling.
- Samples 7x faster than the B16x2 series.
- Installs compactly into almost any port without special tools or multiple adapters.
- Sample without shutting the equipment down.
- Samples only the representative oil by taking from the active zone.
- Sampling is probe dependent (pg 9).

SAMPLING PRESSURE

0 - 65 psi
(0 - 0.46 MPa)

SEALING MATERIAL

Viton (FKM)

VALVE MATERIAL

Carbon Steel
Stainless Steel

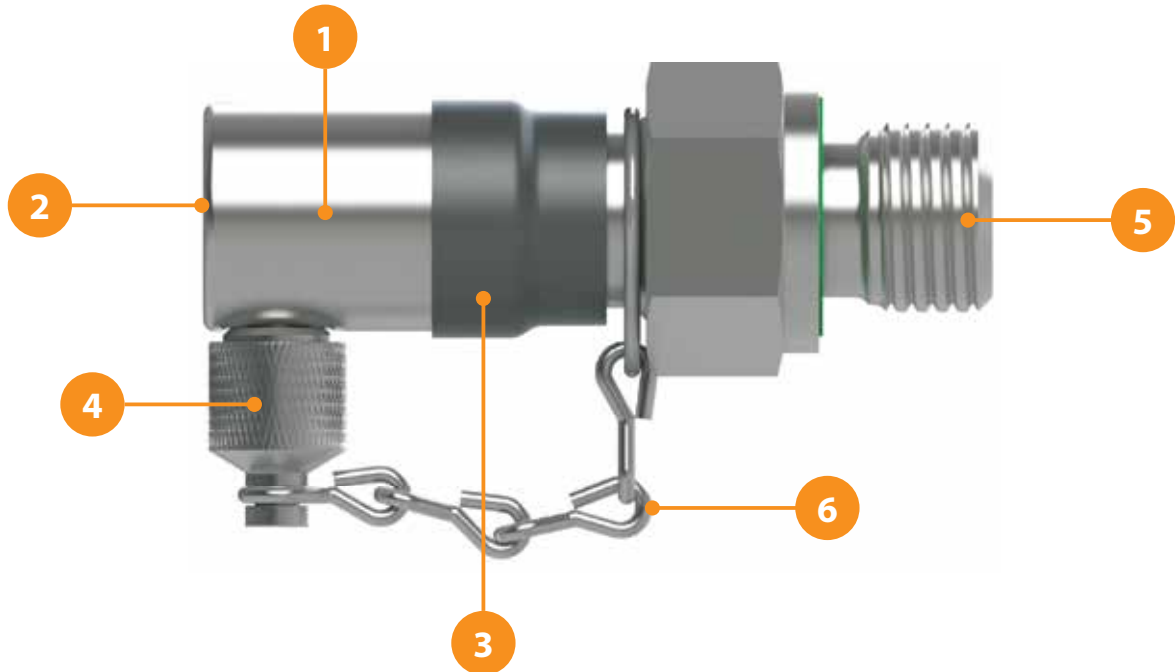
SIGHT GLASS MATERIAL

Acrylic

GEARBOXES | RESERVOIRS

LP SERIES

The LP Series allows you to sample low pressure circulating systems with a push of a button. It's ideal for sampling high viscosity oils, and heavy weight gear oils. Use to sample pressures up to 125 psi (0.86 MPa).



FEATURES:

1. Unique 360° rotating spout offers convenient sampling and installation without swivel fittings.
2. Easy pushbutton style valve: push to open valve, release to automatically close valve - no exposed springs and no drips.
3. Weathersleeve.
4. Rugged spout design with easy to grip knurled cap.
5. Variety of thread options for direct port installation - avoids adding adapters.
6. Zinc-Nickel based corrosion plating offers protection 5 - 7x more life protection than industry standard.

BENEFITS:

- No probes needed.
- Low purge volume.
- Patented elastomeric vacuum tight seals.
- Automatic valve shut off.
- Extra high flow for pressurized high viscosity gear oils or low pressure, low temperature applications.

OPTIONS:

- Locknut for added safety against vibration.
- Silicon button pad for high temperature environments.

SAMPLING PRESSURE

3 - 125 psi
(0.035 - 0.86 MPa)

SEALING MATERIAL

Viton (FKM)

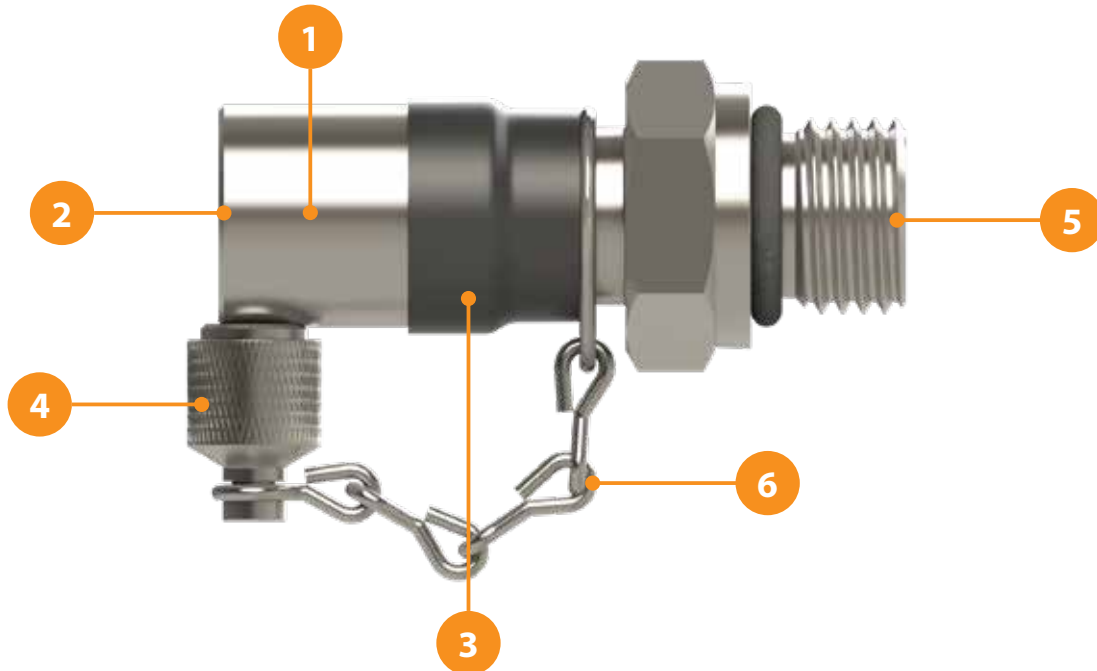
VALVE MATERIAL

Carbon Steel
Stainless Steel

GEARBOXES | RESERVOIRS

KP PUSHBUTTON

The KP Pushbutton allows for easy sampling of pressurized systems by pushing a button. The push button style eliminates the need for probes and cross contamination risks. To sample, hold the bottle under the spout of the button and then push.



FEATURES:

- Unique 360° rotating spout offers convenient sampling and installation without swivel fittings.
- Push button style valve: push to open valve, release to automatically close valve.
- Weather sleeve.
- Rugged spout design with easy to grip knurled cap.
- Variety of thread options for direct installation.
- Zinc-Nickel based corrosion plating offers protection 5 - 7x more life protection than industry standard.

BENEFITS:

- No probes needed.
- Low purge volume.
- Patented elastomeric vacuum tight seals.
- Automatic valve shut off.

OPTIONS:

- Locknut for added safety against vibration.
- Silicon pad for high temperature environments.
- Colored weather sleeve bands for easy identification.

SAMPLING PRESSURE

5 - 750 psi
(0.03 - 5.17 MPa)

SEALING MATERIAL

Nitrile (Buna N)
Viton (FKM)
Neoprene (SBR)
EPDM

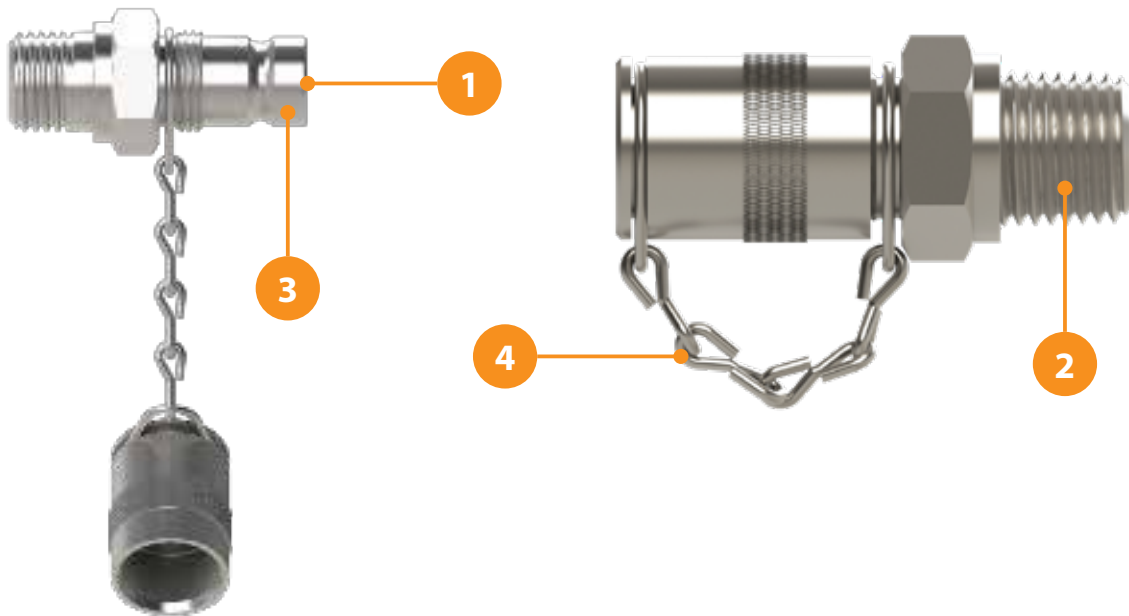
VALVE MATERIAL

Carbon Steel
Brass
Stainless Steel

TRANSMISSIONS | COMPRESSORS | ENGINES | HYDRAULICS | COOLANT | TURBINES

KST SERIES

The KST Series sampling valve provides quick samples using a standard needle probe. Hundreds of thousands of low and high pressurized systems worldwide use the KST's rugged O-Ring sealed valve. Tested for 1 millions cycles, to deliver reliable samples in a leak free environment.



FEATURES:

1. Industry standard 2 mm probe style valve.
 2. Variety of thread sizes for direct installation.
 3. Rugged valve with metal cap.
- Zinc-Nickel based corrosion plating offers protection 5 - 7x more life protection than industry standard

BENEFITS:

- Sampling is probe dependent (pg 9)
- Low purge volume
- Patented elastomeric vacuum tight seals
- Automatic valve shut off
- Dynamic sampling up to 4000 psi (27.6 MPa)

OPTIONS:

- Probe KF-4NF for pressure and particle testing.
- Optional hydraulic shock valve.
- Wide variety of mounting options available.

SAMPLING PRESSURE

5 - 4000* psi
(0.03 - 27.6 MPa)

SEALING MATERIAL

Nitrile (Buna N)
Viton (FKM)
Neoprene (SBR)

VALVE MATERIAL

Carbon Steel
Brass
Stainless Steel

*Sampling pressures greater than 750 psi (27.6 MPa) are probe dependent

TRANSMISSIONS | COMPRESSORS | ENGINES | HYDRAULICS | COOLANT | TURBINES

ACCESSORIES

SAMPLING PROBES FOR:

Valve Series	Probe	Use	Description
KST	VHKF	High/Low Pressure	K sampling probe, thread-on, with micro hose and vent cap (5 - 4000 psi / 0.03 - 27.6 MPa)
	SVP1	Disposable	K sampling probe, push on with PVC tubing and bottle vent cap (5 - 750 psi / 0.03 - 5.17 MPa)
	KPB4	Reusable	K sampling probe, 90° push-on (5 - 750 psi / 0.03 - 5.17 MPa)
LT / LTJ	SLF4	Reusable	L sampling probe, thread on (vacuum -125 psi / 0.86 MPa) use 1/4" poly tubing
	LF-4NF	Reusable	L sampling probe, thread-on, with 1/4" OD quick attach/detach (vacuum - 125 psi / 0.86 MPa) use 1/4" poly tubing

ACCESSORIES FOR:

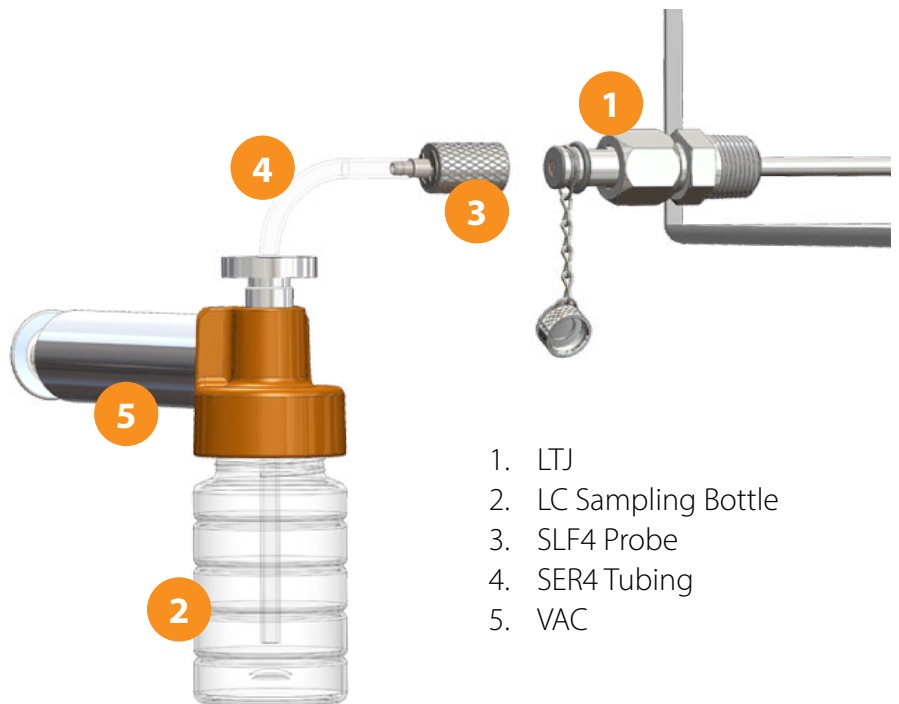
Valve Series	Accessory	Description
LT / LTJ	Vacuum Pump (VAC)	Required for retrieving samples from the LT / LTJ valve
	Plastic tubing (SER4-100)	Required for retrieving samples from the LT / LTJ valves
All Valves	Sampling Bottle (LC)	Sample bottle, clear PET, ribbed (125ml, 4oz)

Pressurized sampling equipment example.

1. KP Pushbutton
2. LC Sampling Bottle



Non-pressurized sampling equipment example.



1. LTJ
2. LC Sampling Bottle
3. SLF4 Probe
4. SER4 Tubing
5. VAC

PETRO Contact Information

AFRICA

South Africa

Factory 14 Bentonite Street
Alrode, Alberton, Johannesburg
South Africa
P: +27 (0)11 864 7758
F: +27 (0) 11 864 1649
E: sales@petroindustrial.co.za

AUSTRALIA

Eastern Australia

Factory 2, 106 Potassium Street
PO Box 407
Narangba QLD 4504
P: +61 (0) 7 3204 9558
F: +61 (0) 7 3293 4852
E: sales@petroindustrial.com.au

MIDDLE EAST

Dubai

Office LB17233, Lobby Building 17
Jebel Ali Free Zone
PO Box 18602
Dubai, United Arab Emirates
P: +971 488 76688
F: +971 488 76932
E: salesuae@petroind.com

Western Australia

173 Mulgool Road
Malaga WA 6090
P: +61 (0) 8 6305 0855
F: +61 (0) 8 6305 0319
E: info@petroperth.com.au

PETRO INDUSTRIAL



petroind.com