



LUGGED BUTTERFLY VALVES T/E MANUAL, AIR AND ELECTRIC OPERATED RANGE

Item code: BFLSTD-SUP1

The BFK range of Wafer style ductile iron Butterfly valves are available with pneumatic, electric or manual actuation. The BFK series has a cast iron body, 304 S.S disc and an EPDM seat making them suited to a wide range of general water applications.

These wafer butterfly valves will fit all standard flanges and are operated by either a lever or gear box (ISO 5211 mounting pad allows direct mounting).

Designed & manufactured in accordance with API609, inspected and tested in accordance with API598. Common applications include water trucks, irrigation and non corrosive industrial applications.

If sizes above 300mm are required please see BFD series (cast iron, 316 SS disc).

MANUAL ACTUATION:

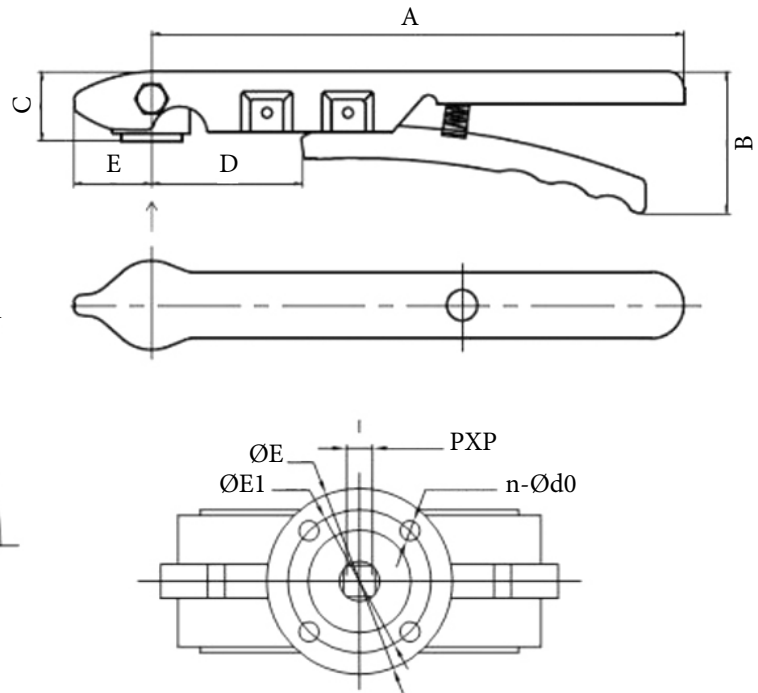
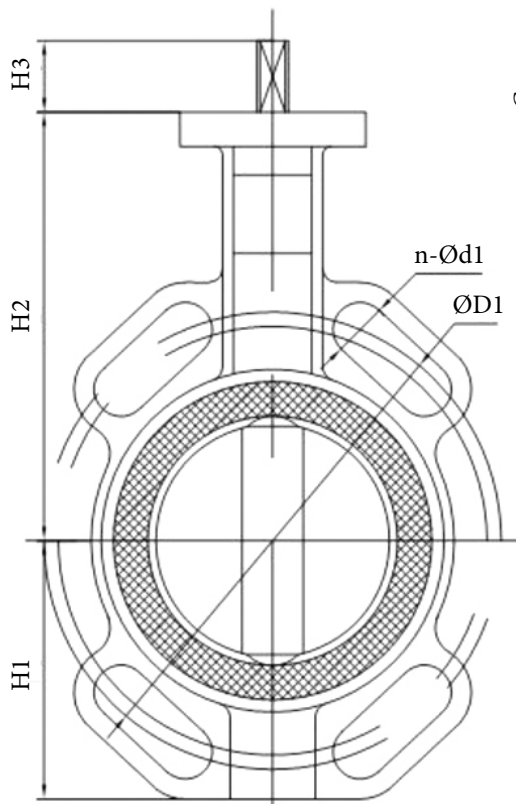
Model	Nominal Diameter	Pressure Range	Temperature	Square Drive Size	ISO	Torque (Nm)	Manual Operation
BFL50-L-E	50mm (2")	0 to 16 Bar	-10°C to 120°C	9mm	F05	7.5	Lever
BFL65-L-E	65mm (2½")			9mm	F05	11	
BFL80-L-E	80mm (3")			9mm	F05	14	
BFL100-L-E	100mm (4")			11mm	F07	26	
BFL125-L-E	125mm (5")			14mm	F07	38	
BFL150-L-E	150mm (6")			14mm	F07	78	
BFL200-L-E	200mm (8")			17mm	F10	110	
BFL250-L-E	250mm (10")			22mm	F10	185	
BFL300-L-E	300mm (12")			22mm	F10	270	



PETRO INDUSTRIAL



petroind.com



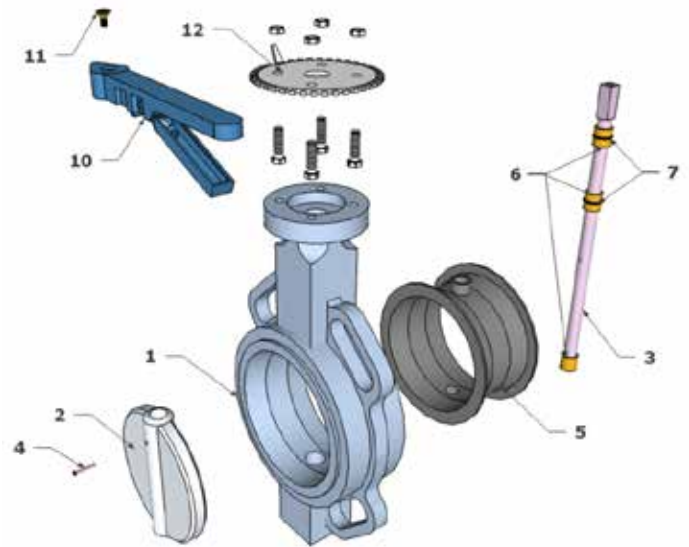
DIMENSIONS (mm):

	ND	L	H1	H2	H3	ISO	E	E1	n-do	P	A	B	C	D	E
BFL50-L-E	50	43	71.3	125	29	F05	65	50	4-8	9	192	55.5	29	37	26.5
BFL65-L-E	65	46	77.5	140	29	F05	65	50	4-8	9	192	55.5	29	37	26.5
BFL80-L-E	80	46	89.2	145	29	F05	65	50	4-8	9	192	55.5	29	37	26.5
BFL100-L-E	100	52	101.5	165	29	F07	90	70	4-10	11	216	48	29	54	28
BFL125-L-E	125	56	117.5	178	29	F07	90	70	4-10	14	259	46	29	54	24
BFL150-L-E	150	56	145	185	29	F07	90	70	4-10	14	259	46	29	54	24
BFL200-L-E	200	60	163.5	225	35	F10	125	102	4-12	17	350	78	33	81	29
BFL250-L-E	250	68	190.5	257	35	F10	125	102	4-12	22	350	78	33	81	29
BFL300-L-E	300	78	230	302	35	F10	125	102	4-12	22	375	73	32	81	25



CONSTRUCTION:

Item	Article	Material
1	Body	Fusion Bonded Epoxy Cast Iron
2	Disc	304 Stainless Steel
3	Stem	416 Stainless Steel
4	Pin	304 Stainless Steel
5	Seat	Phenolic Backed Cartridge Style EPDM
6	Bushings	PTFE
7	O Ring	EPDM
10	Handle	Painted Pressed Steel
11	Retaining Fastener	304 Stainless Steel
12	Notch Plate	304 Stainless Steel



PNEUMATIC ACTUATION:

Model	Nominal Diameter	Pneumatic Operation	
		Double Acting	Spring Return
BFL50-DA/SA-E	50mm (2")	DA52	SR52
BFL65-DA/SA-E	65mm (2½")	DA52	SR63
BFL80-DA/SA-E	80mm (3")	DA63	SR75
BFL100-DA/SA-E	100mm (4")	DA63	SR75
BFL125-DA/SA-E	125mm (5")	DA75	SR85
BFL150-DA/SA-E	150mm (6")	DA85	SR100
BFL200-DA/SA-E	200mm (8")	DA115	SR115
BFL250-DA/SA-E	250mm (10")	DA115	SR140
BFL300-DA/SA-E	300mm (12")	DA140	SR180





ELECTRIC ACTUATION:

Model	Nominal Diameter	Electric Operation	Voltage Code
BFL50-E-E	50mm (2")	OM-1	1 – 240vAC 2 – 110vAC 5 – 24vAC 7 – 12vDC 8 – 24vDC
BFL65-E-E	65mm (2½")	OM-1	
BFL80-E-E	80mm (3")	OM-1	
BFL100-E-E	100mm (4")	OM-A	

The OM series is a robust range of 1/4 turn electric actuators suitable for the on/off activation of Ball or Butterfly valves.

A powerful motor with inbuilt thermal protection drives a pre-lubricated heavy duty steel gear train running in bronze bushes. They are encased in a powder coated die cast protective housing that has an IP67 rating (dust tight and submersible for limited periods).

All models have a visual position indicator and a manual override.

The ISO 5211 mounting and female square drive allows direct coupling to valves with a similar configuration. Standard models drive through 900 and can be fitted with voltage free contacts for end of stroke feedback. Positioner models with 4-20mA or 2-10v modulating control are also available in all sizes.



STANDARD FEATURES:

- IP67 weatherproof rating and Humidity up to 95%.
- Ambient temp. -5°C ... +60°C.
- Duty cycle is 30% to 75% depending on ambient temperature, voltage and actuator model, and relates to the 135°C thermal motor protection. (some modulating versions have a 75% duty cycle)
- Always allow a 35% safety margin when sizing torque requirements.

OPTIONAL FEATURES:

- Torque limit switch (overload protection).
- Anti-condensation heater - 15 watt.
- Two SPOT voltage free micro switches and cams (end of stroke feedback).
- Potentiometer and position transmitter (4-20mA feedback).
- Modulating control (4-20mA or 2-10v input and feedback).

PETRO INDUSTRIAL



petroind.com



OM SERIES – SPECIFICATIONS:

Model	Torque Nm	Time (sec) 90°		(AMP) 12v AC/DC		(AMP) 24v AC/DC		(AMP) 110v AC		(AMP) 240v AC		(AMP) 415v	
		AC	DC	Run	Start	Run	Start	Run	Start	Run	Start	Run	Start
OM-1	35	13*	15	0.5	3	0.6	0.8	0.5	1.5	0.3	1	-	-
OM-AL	50	24*	24	0.5	3	0.7	0.8	0.5	1.5	0.3	1	-	-

*For 24vAC use the DC Speed

OM SERIES – DIMENSIONS (mm):

Model	A	B	C	ISO 5211 Mounting	SQ Drive Female	ADJ. Stops	Manual Override
OM-1	108	155	-	FO3 / FO5	14	No	Spanner Drive
OM-AL	108	200	-	FO7	14	No	Lever

