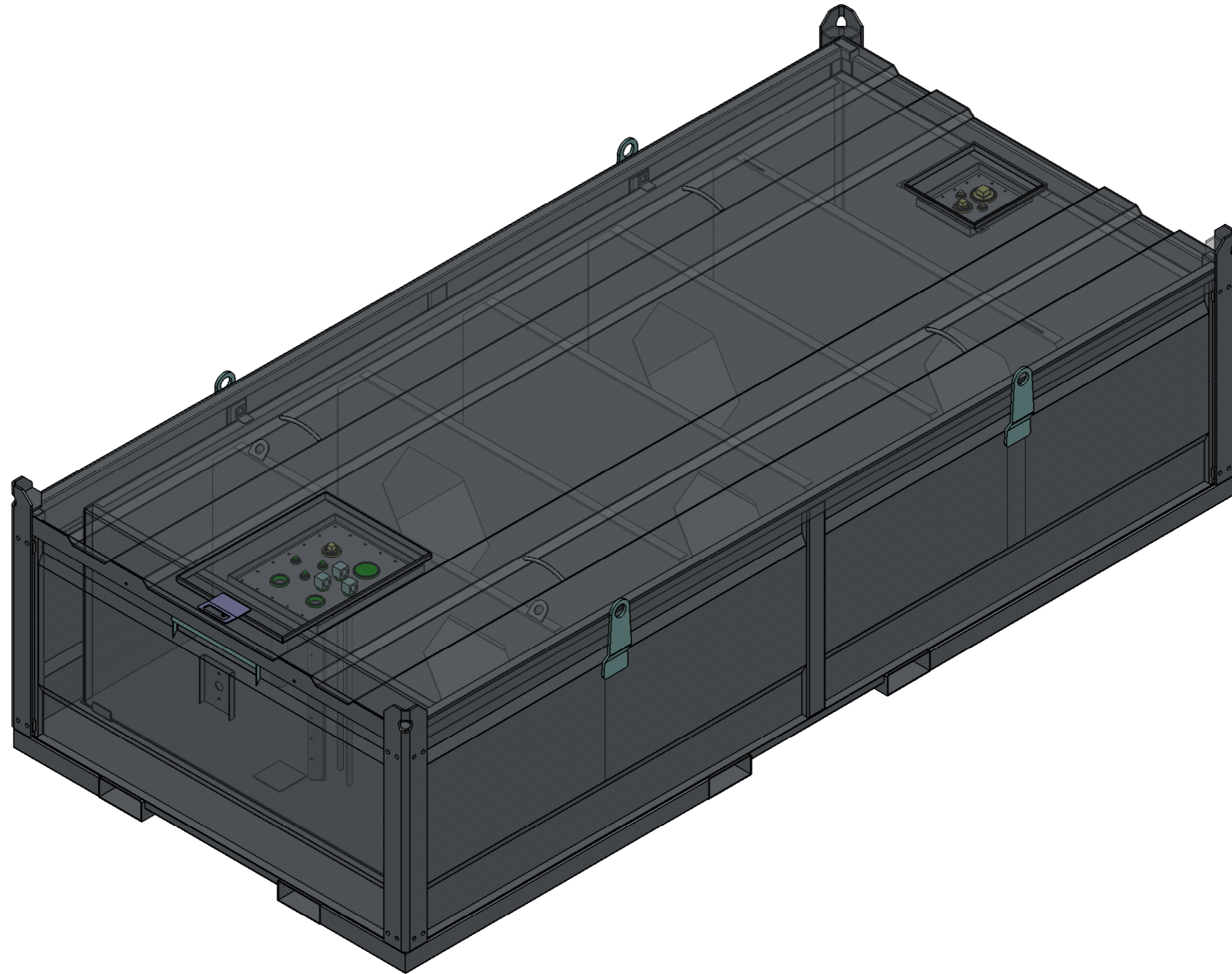


TANK DATA	
TANK CONTENTS:	DIESEL
GROSS VOLUME:	8000L
SAFE FILL LEVEL:	7600L



07					
06					
05					
04					
03					
02					
01	2016/05/25	E			
REV:	DATE:	REVISION:	DRAWN:	CHECKED:	APPROVED:

Note:
 > Designed and approved to AS1940 / AS1692 / AS1657
 > All welding to AS1554.1

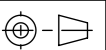


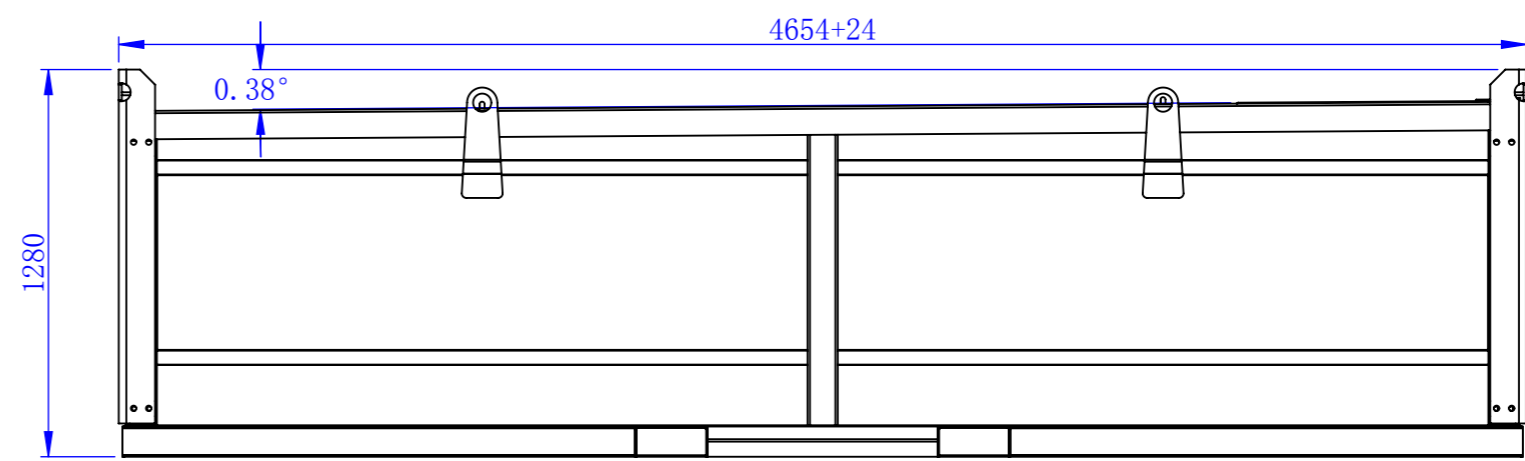
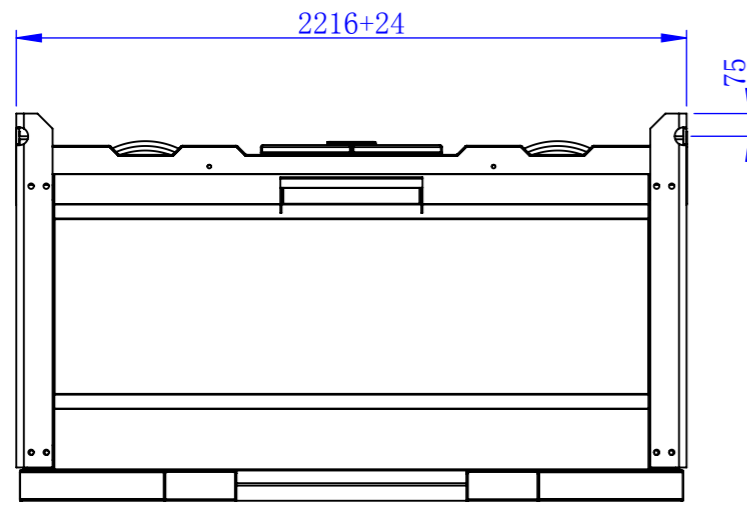
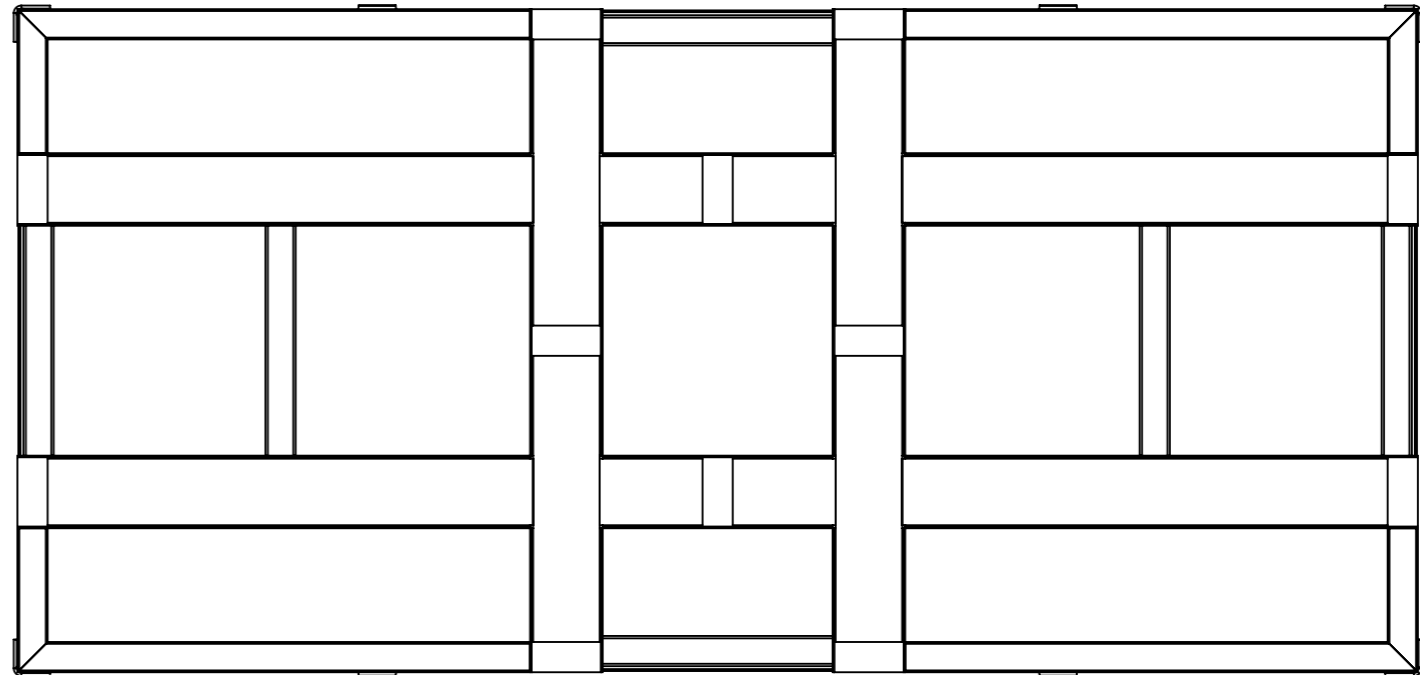
Material:
 Weight: 2969.51KG

DRAWN: SAVING DATE: 2016/8/8
 CHECKED: DATE:
 CLIENT: DATE:
 APPROVED: DATE:

TITLE: PETRO 8000L SELF BUNDED BAFFLED CUBE
 DRAWING NO. :
 PURCHASE ORDER NO. :
 REV: A3
 SHEET: 1 of 7
 Scale: No scale

A3





07					
06					
05					
04					
03					
02					
01					
REV:	DATE:	REVISION:	DRAWN:	CHECKED:	APPROVED:



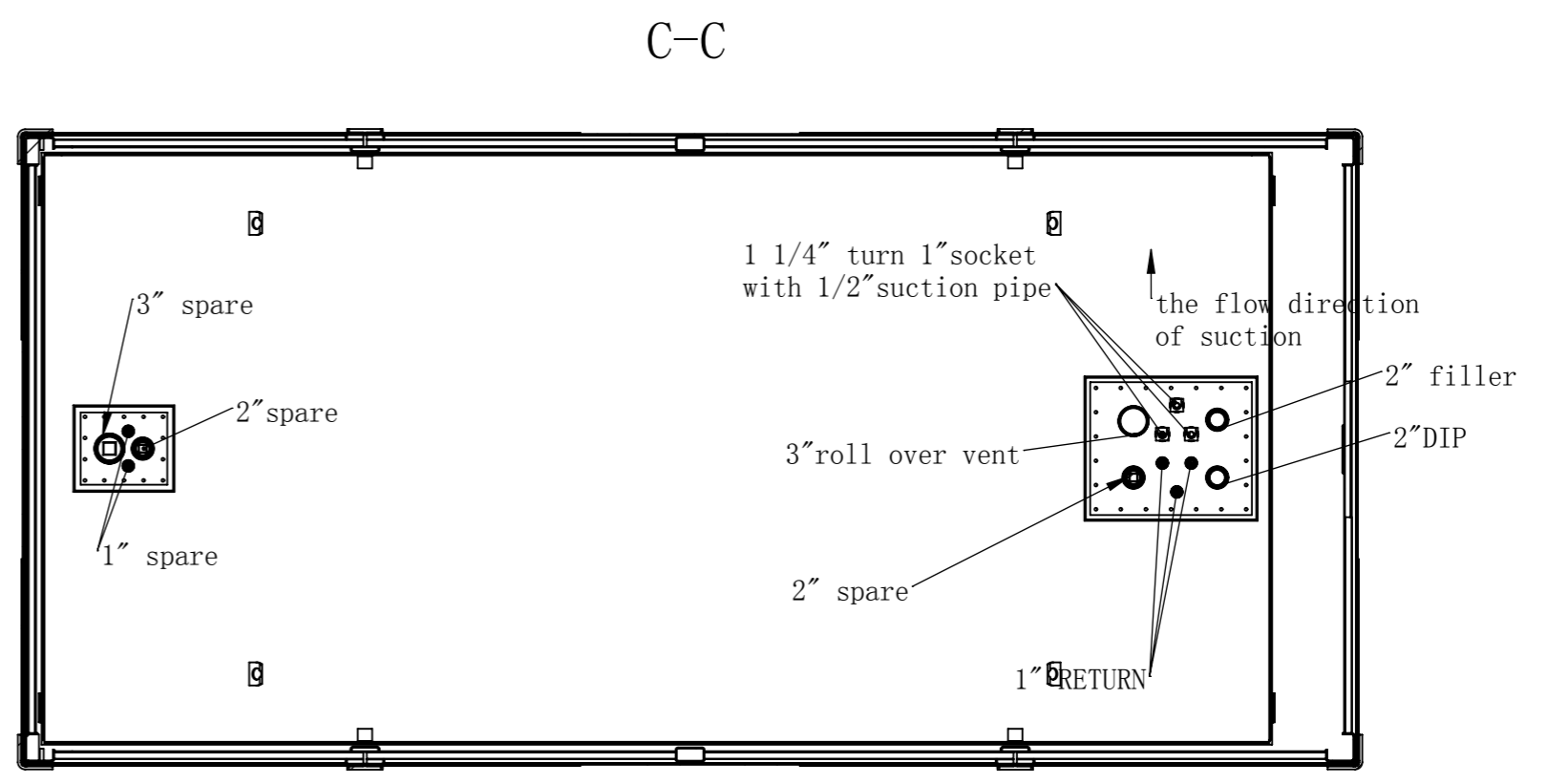
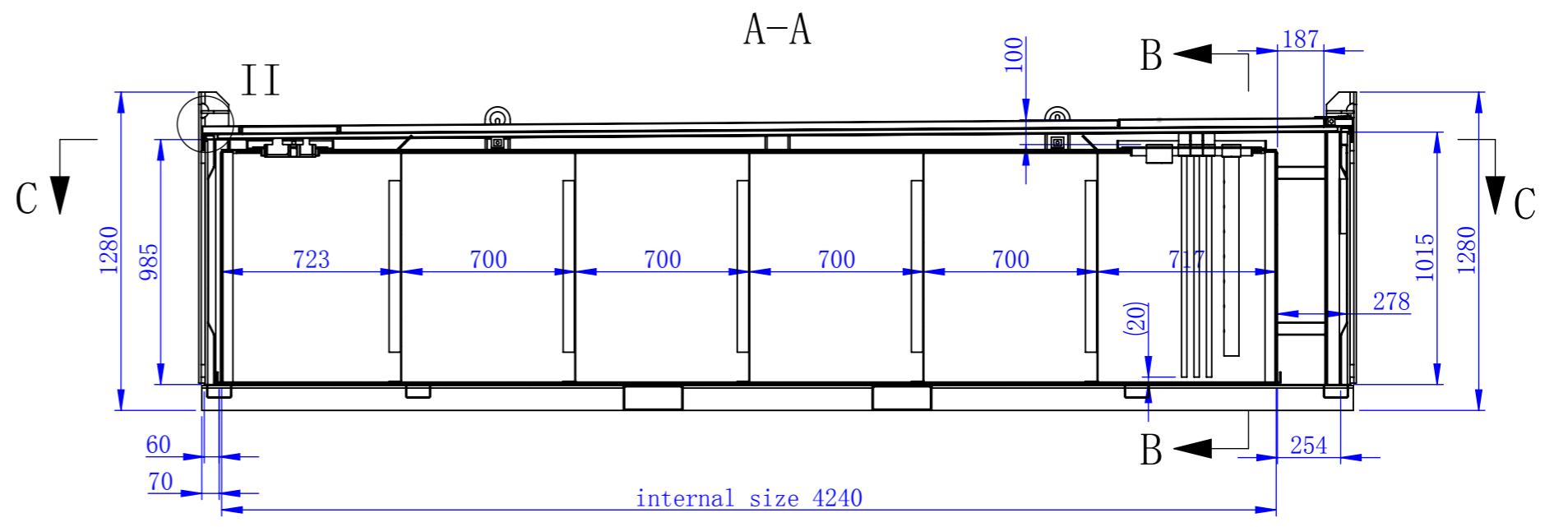
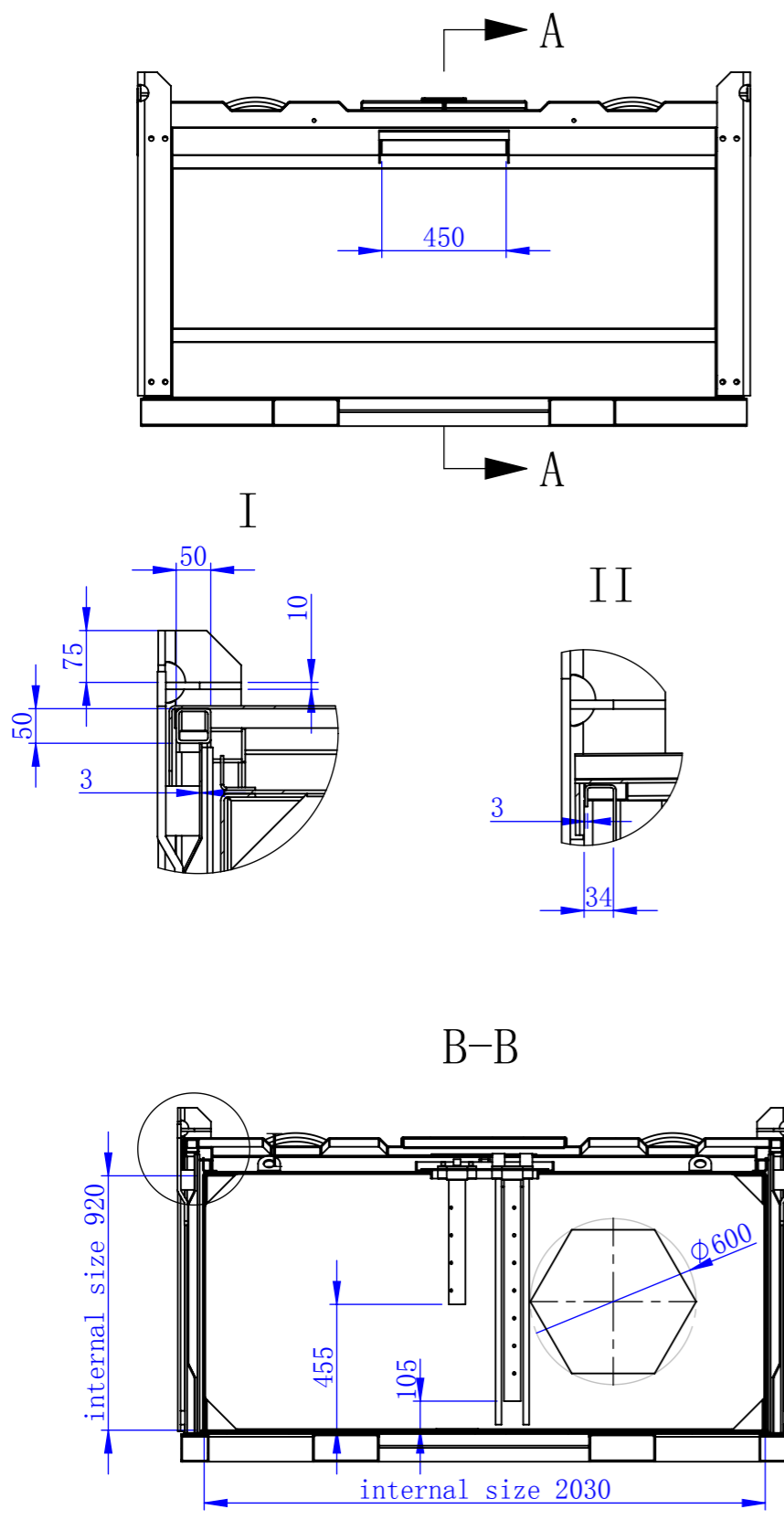
Material:
 Weight: 2969.51KG

DRAWN:
 CHECKED:
 CLIENT:
 APPROVED:
 SAVING DATE: 2016/8/8
 DATE:
 DATE:
 DATE:

TITLE:
 PETRO 8000L SELF BUNDED BAFFLED CUBE
 DRAWING NO. :
 PURCHASE ORDER NO. :
 REV:
 SHEET: 2 of 7
 Scale: No scale

A3





07					
06					
05					
04					
03					
02					
01					
REV:	DATE:	REVISION:	DRAWN:	CHECKED:	APPROVED:



Material: _____
Weight: 2969.51KG

DRAWN: _____
CHECKED: _____
CLIENT: _____
APPROVED: _____

SAVING DATE: 2016/8/8
DATE: _____
DATE: _____
DATE: _____

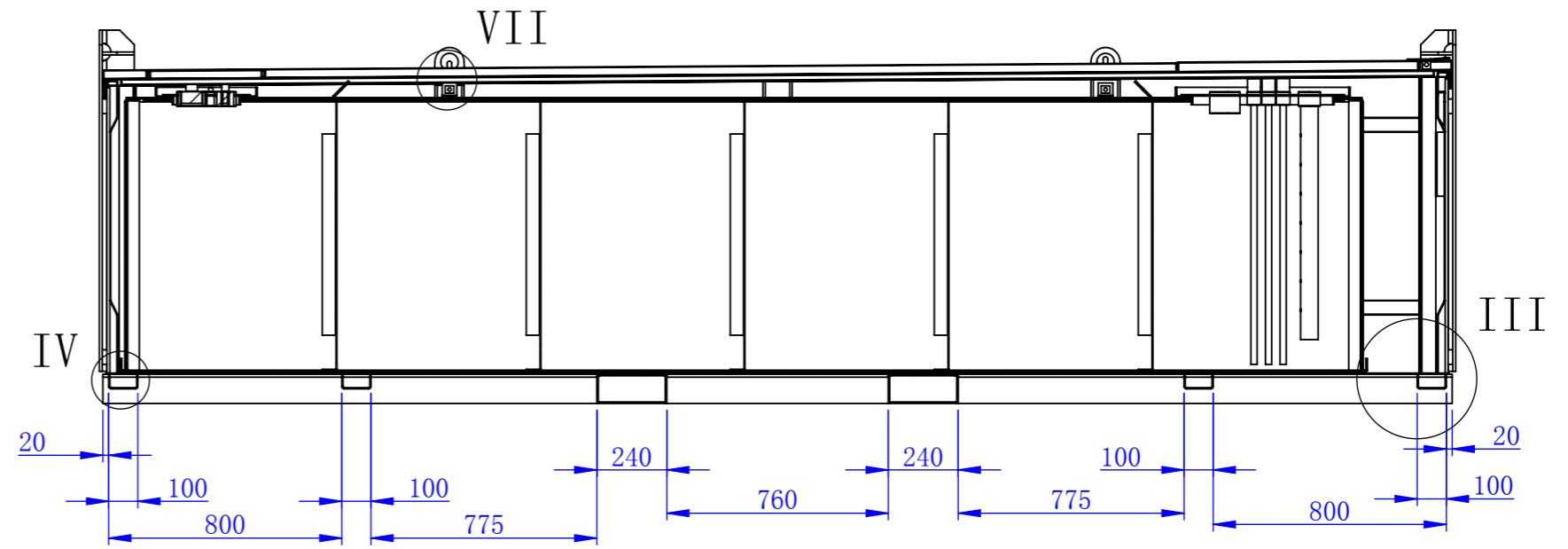
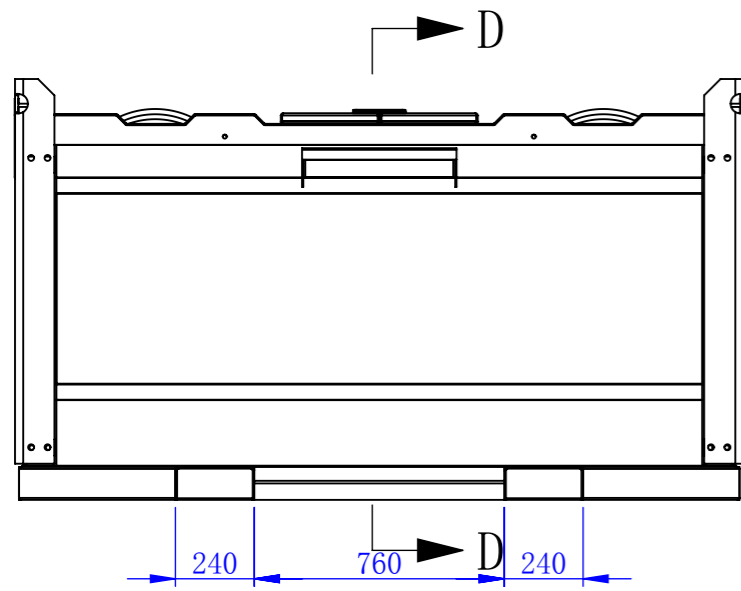
TITLE: PETRO 8000L SELF BUNDED BAFFLED CUBE
DRAWING NO. : _____
PURCHASE ORDER NO. : _____

REV: _____
SHEET: 3 of 7
Scale: No scale

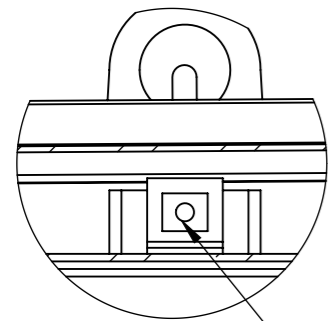
A3



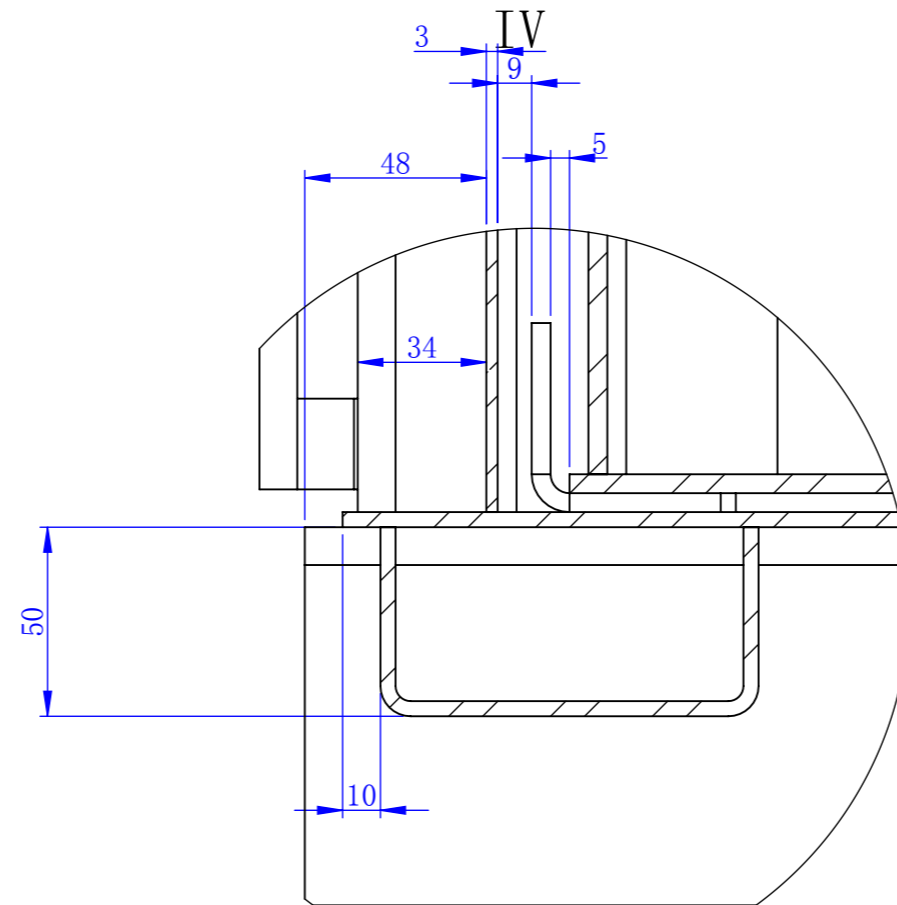
D-D



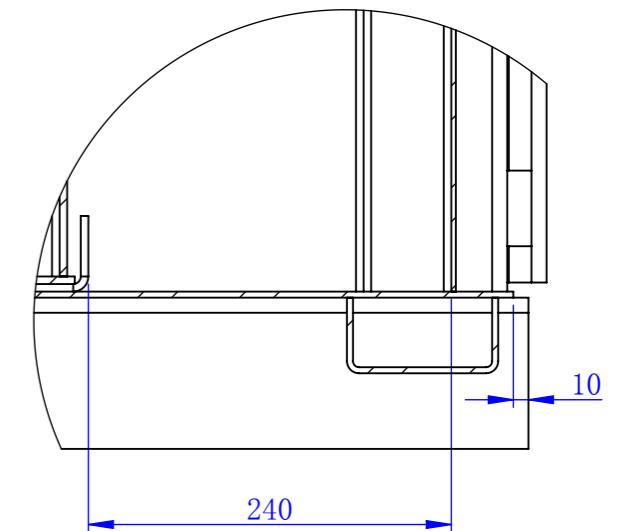
VII



侧加强筋预埋螺母



III



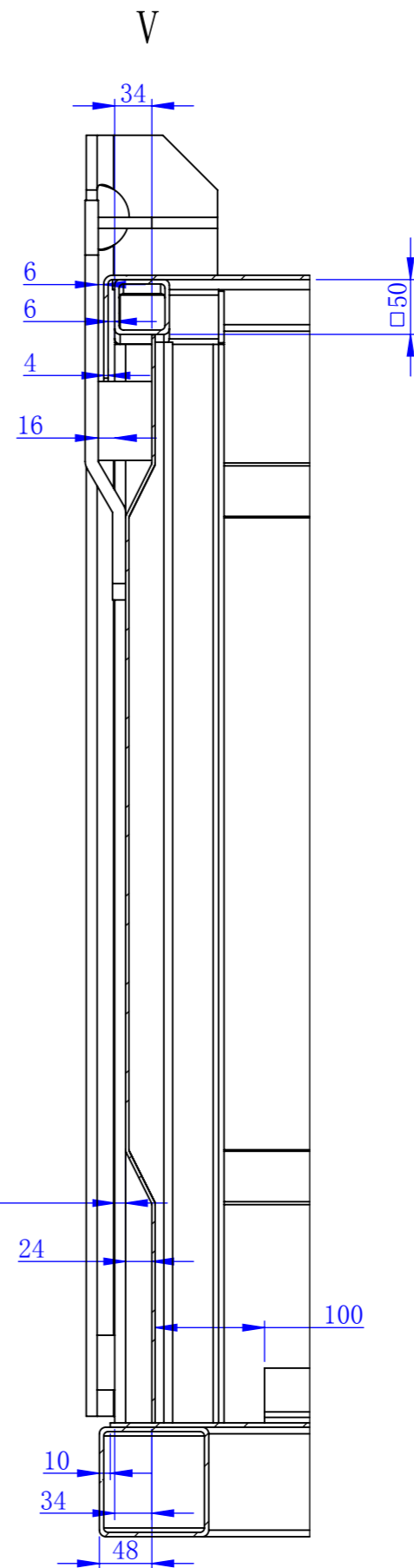
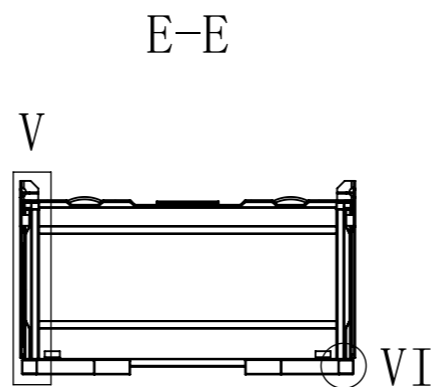
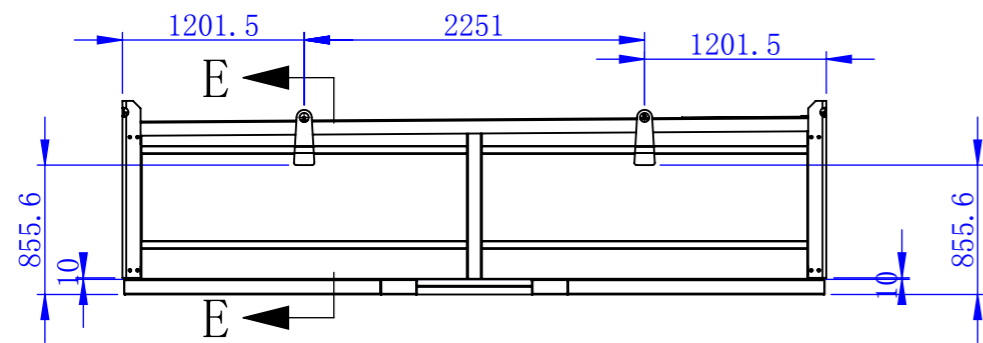
07					
06					
05					
04					
03					
02					
01					
REV:	DATE:	REVISION:	DRAWN:	CHECKED:	APPROVED:



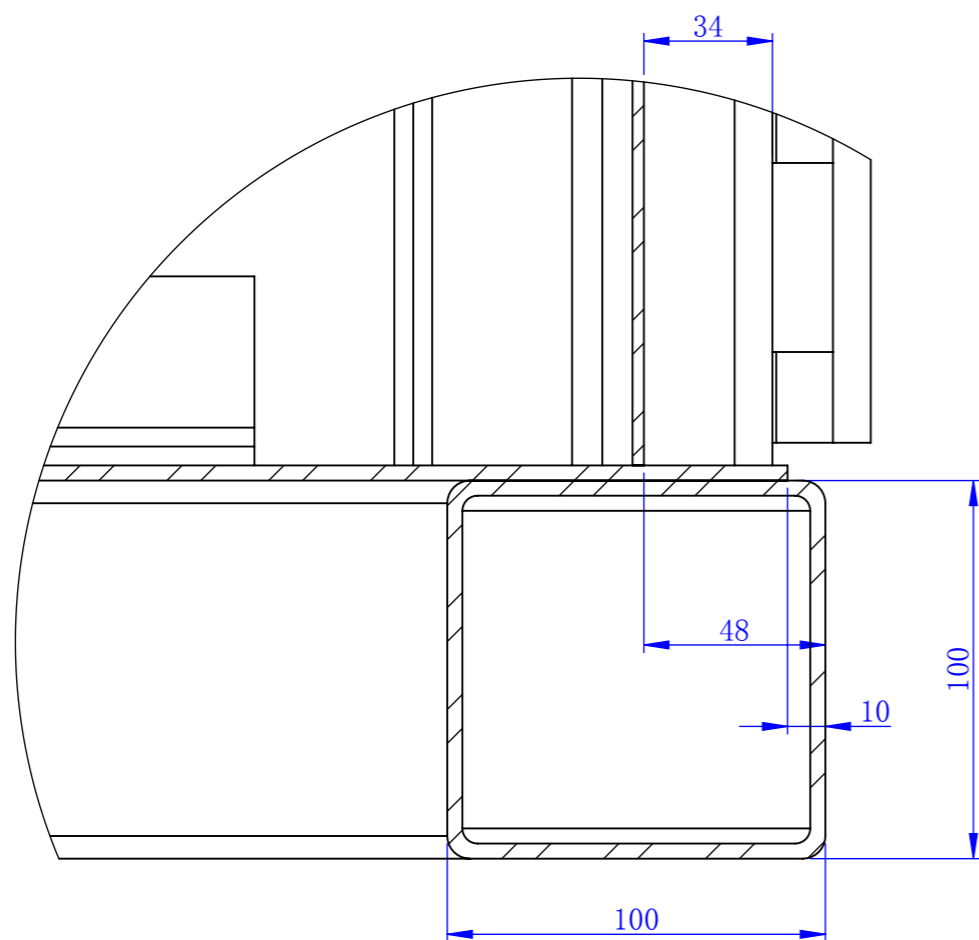
Material:
Weight: 2969.51KG

DRAWN: SAVING DATE: 2016/8/8
CHECKED: DATE:
CLIENT: DATE:
APPROVED: DATE:

TITLE: PETRO 8000L SELF BUNDED BAFFLED CUBE
DRAWING NO. :
PURCHASE ORDER NO. :
REV: A3
SHEET: 4 of 7
Scale: No scale



VI



07					
06					
05					
04					
03					
02					
01					
REV:	DATE:	REVISION:	DRAWN:	CHECKED:	APPROVED:



Material:
Weight: 1559.47KG

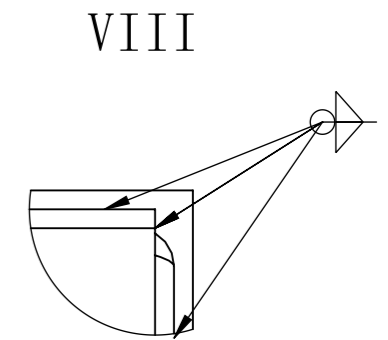
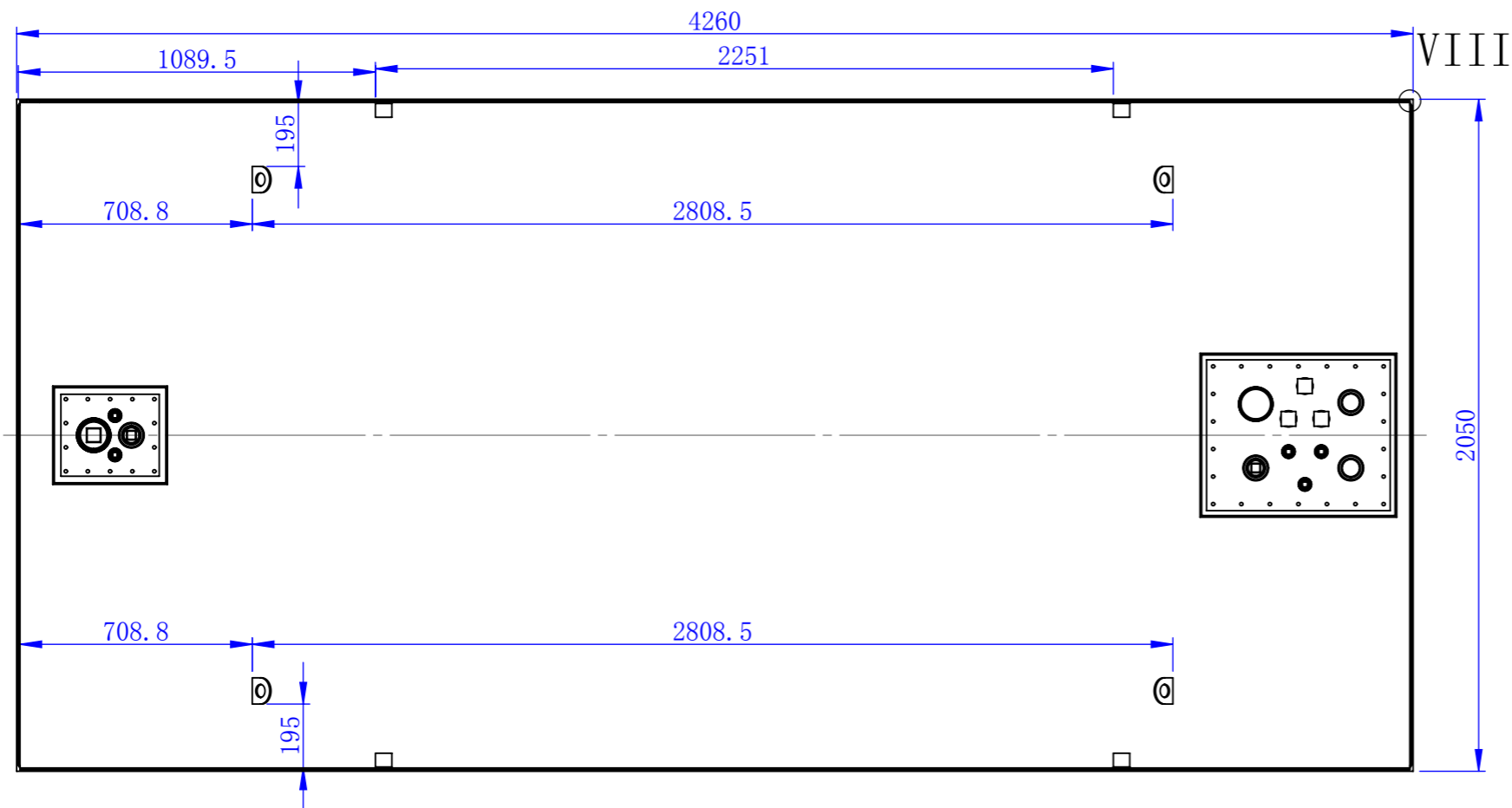
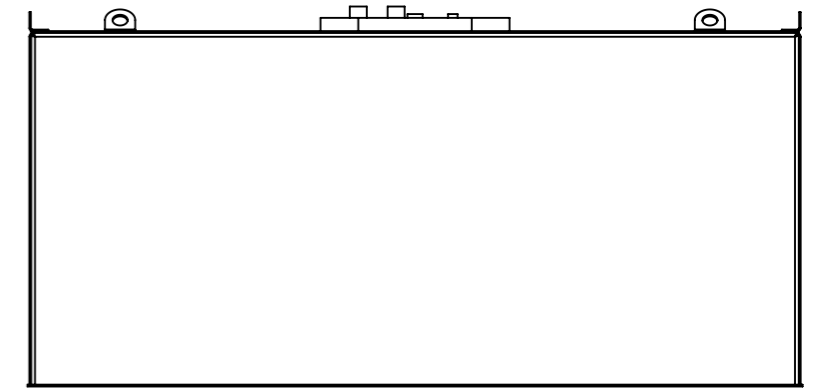
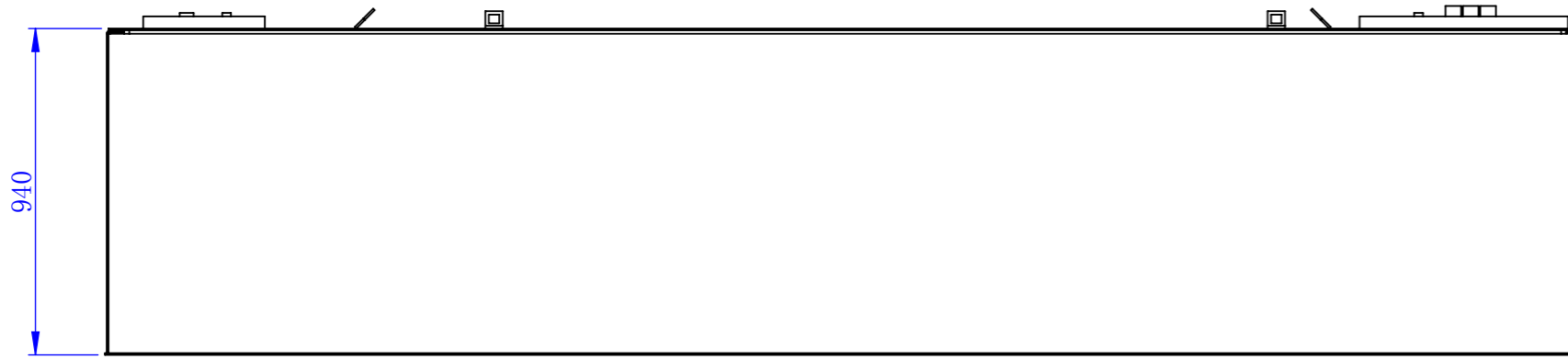
DRAWN: SAVING DATE: 2016/8/8
 CHECKED: DATE:
 CLIENT: DATE:
 APPROVED: DATE:

TITLE: PETRO 8000L SELF BUNDED BAFFLED CUBE
 DRAWING NO. :
 PURCHASE ORDER NO. :

REV:
SHEET: 5 of 7

A3

Scale: No scale



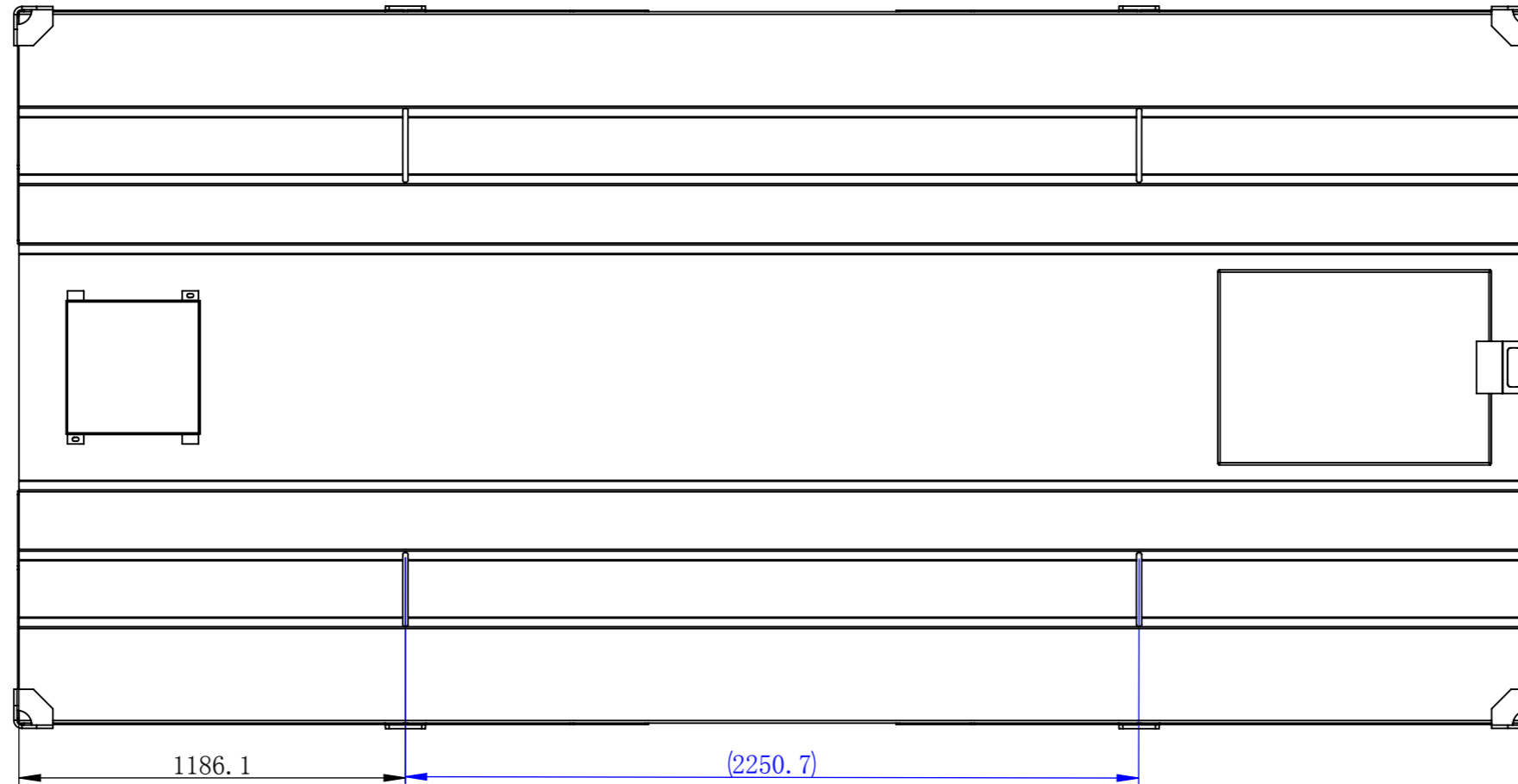
07					
06					
05					
04					
03					
02					
01					
REV:	DATE:	REVISION:	DRAWN:	CHECKED:	APPROVED:



Material:
Weight: 1410.04KG

DRAWN: SAVING DATE: 2016/8/8
 CHECKED: DATE:
 CLIENT: DATE:
 APPROVED: DATE:

TITLE: PETRO 8000L SELF BUNDED BAFFLED CUBE
 DRAWING NO. :
 PURCHASE ORDER NO. :
 REV: A3
 SHEET: 6 of 7
 Scale: No scale



07					
06					
05					
04					
03					
02					
01					
REV:	DATE:	REVISION:	DRAWN:	CHECKED:	APPROVED:



Material:
Weight: 2969.51KG

DRAWN:
CHECKED:
CLIENT:
APPROVED:

SAVING DATE:
DATE:
DATE:
DATE:

TITLE:
PETRO 8000L SELF BUNDED BAFFLED CUBE

DRAWING NO. :

PURCHASE ORDER NO. :

REV:
SHEET:
7 of 7

Scale:
No scale

A3

