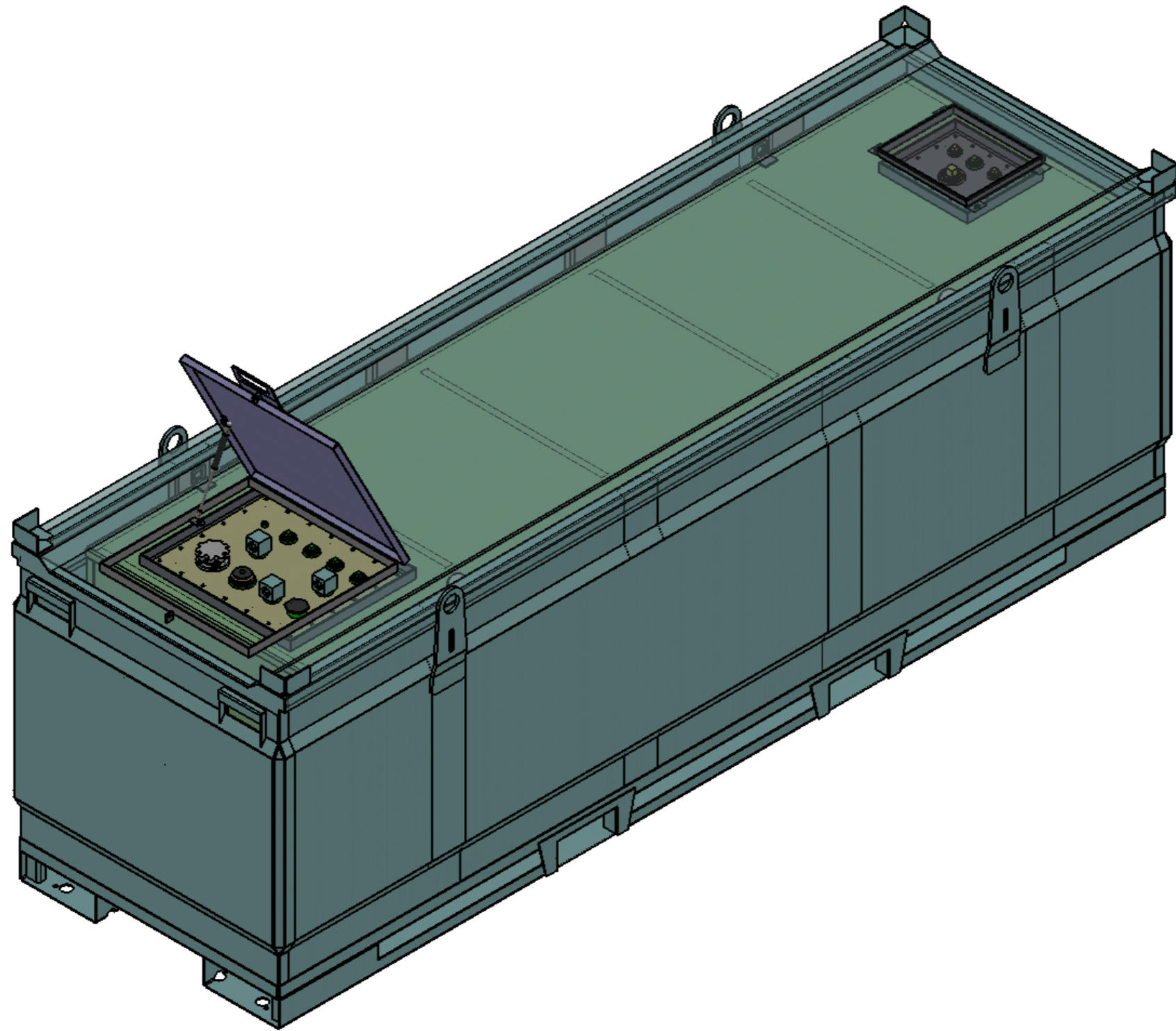


TANK DATA	
TANK CONTENTS:	DIESEL
GROSS VOLUME:	3000L
SAFE FILL LEVEL:	2700L
TOTAL MASS:	1138.82KG



07					
06					
05					
04					
03					
02					
01					
REV:	DATE:	REVISION:	DRAWN:	CHECKED:	APPROVED:

Note:  
 > Designed and approved to AS1940 / AS1692 / AS1657  
 > All welding to AS1554.1

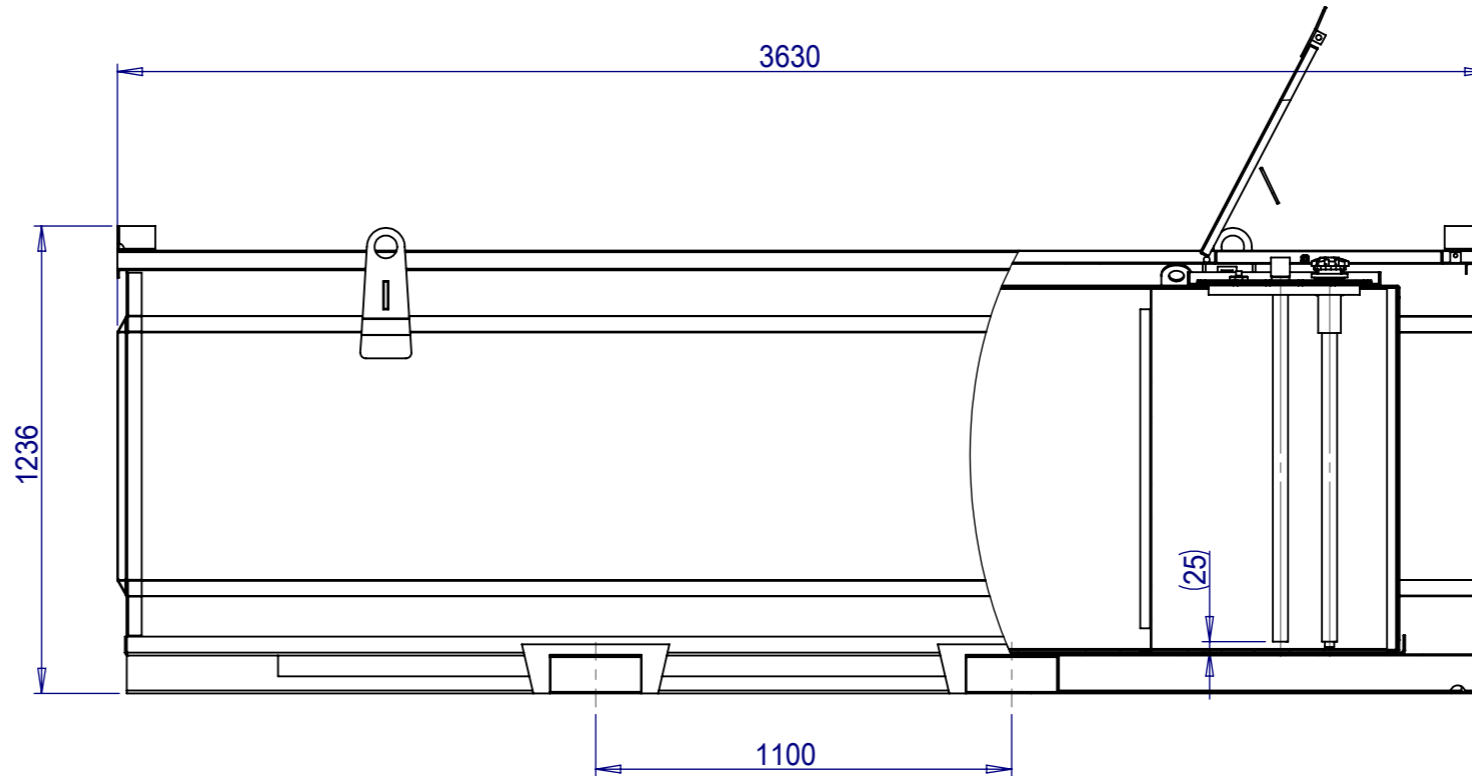
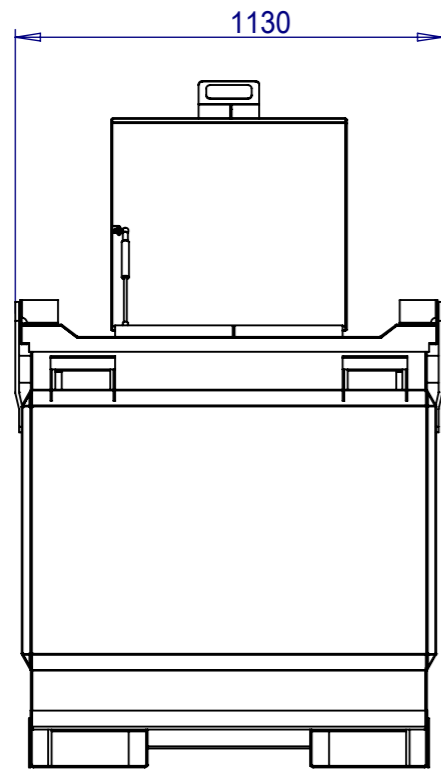


Material:  
 Weight: 1138.82KG

DRAWN: DATE: 2016/1/27  
 CHECKED: DATE:  
 CLIENT: DATE:  
 APPROVED: DATE:

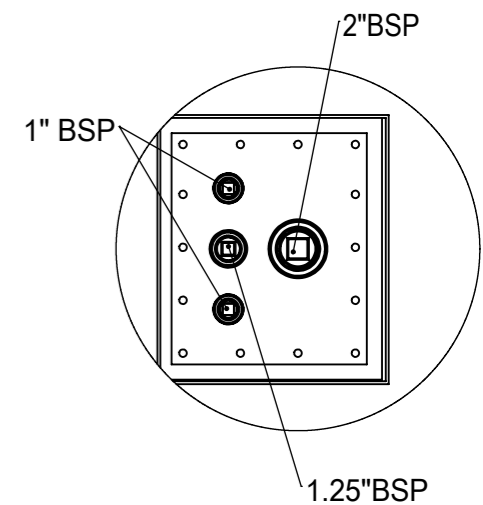
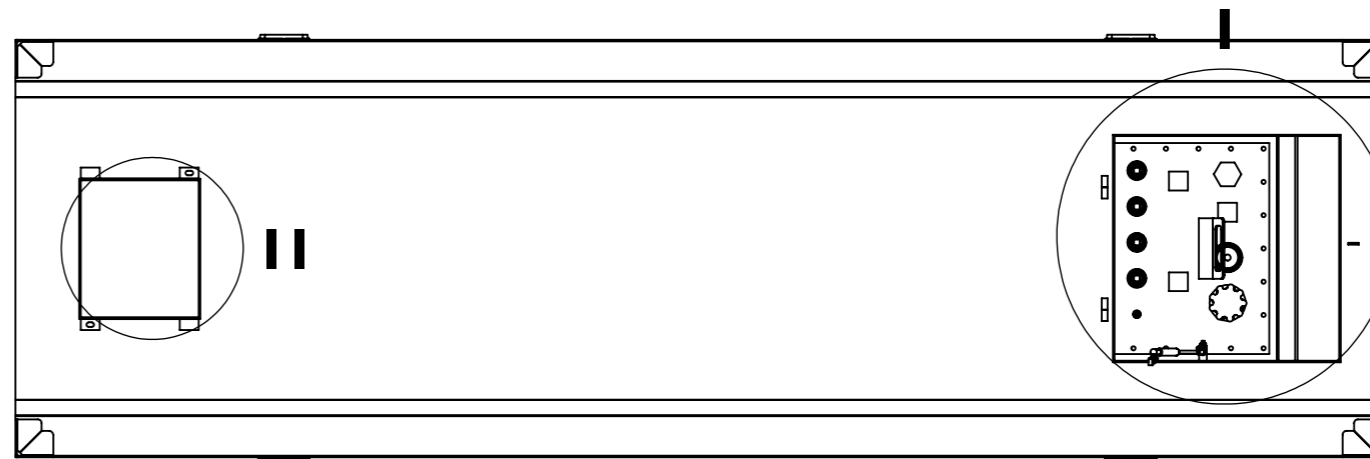
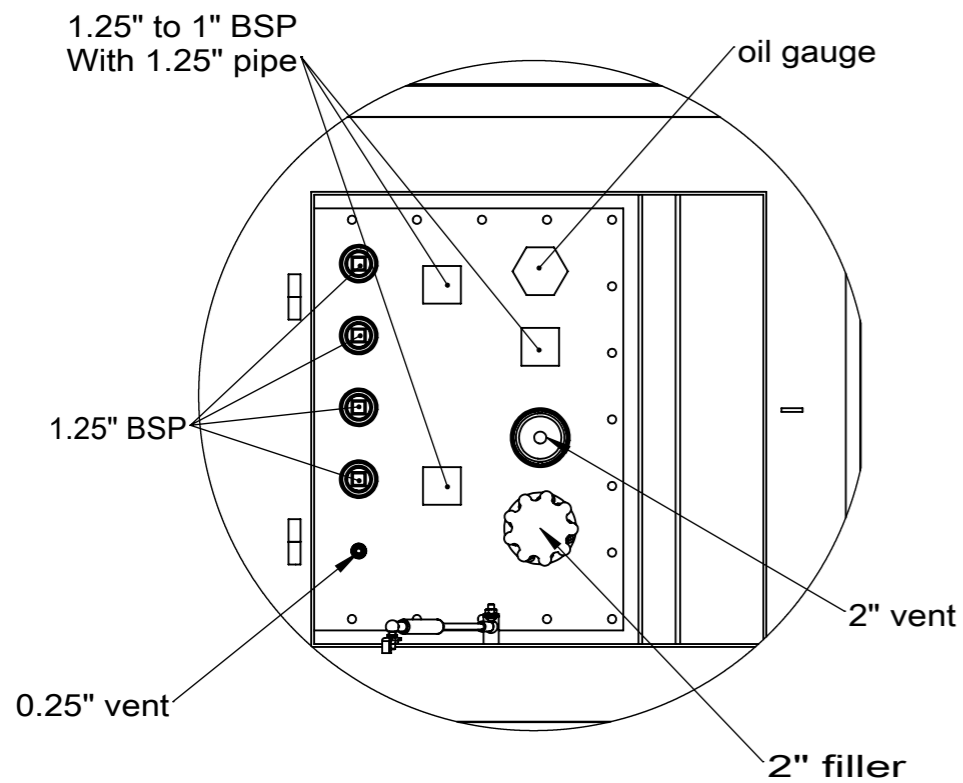
TITLE: PETRO 3000L Cube - L Design  
 DRAWING NO. :  
 PURCHASE ORDER NO. :

REV: 01  
 SHEET: 1 of 3  
 Scale: No scale  
 A3



I

II



07					
06					
05					
04					
03					
02					
01					
REV:	DATE:	REVISION:	DRAWN:	CHECKED:	APPROVED:



Material:  
Weight: 1138.82KG

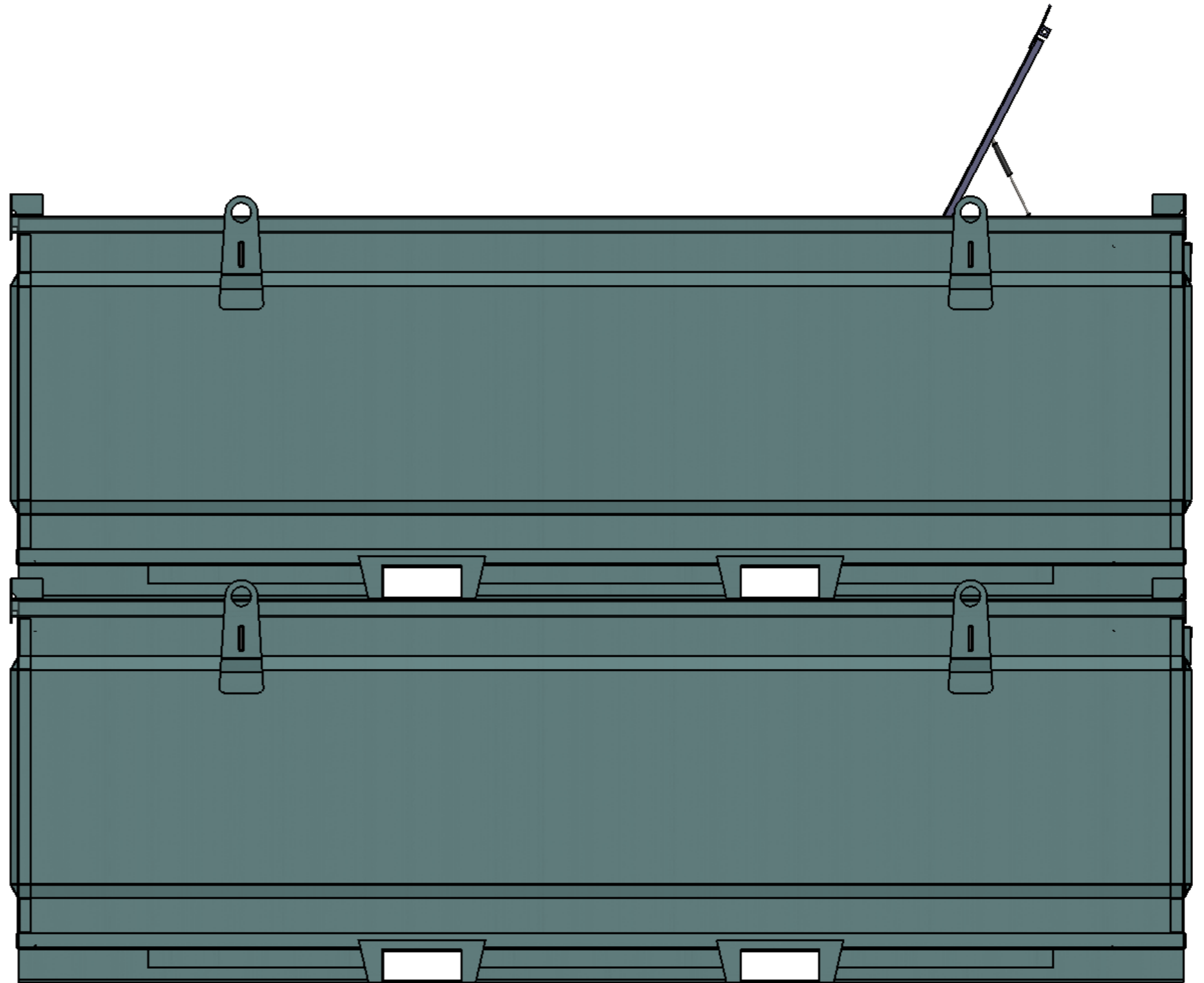
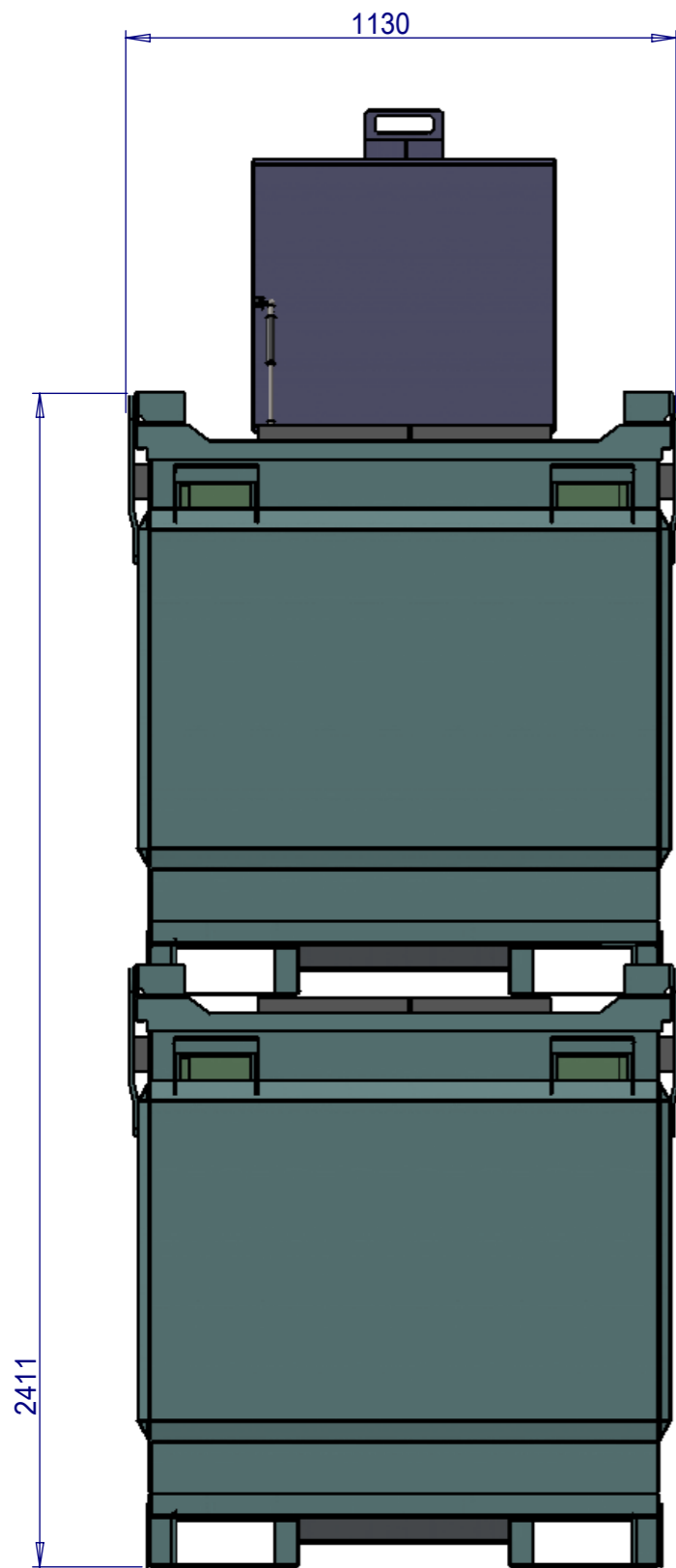
DRAWN: DATE: 2016/1/27  
 CHECKED: DATE:  
 CLIENT: DATE:  
 APPROVED: DATE:

TITLE: PETRO 3000L Cube - L Design  
 DRAWING NO. :  
 PURCHASE ORDER NO. :

REV: 01  
 SHEET: 2 of 3  
 Scale: No scale

A3





07					
06					
05					
04					
03					
02					
01					
REV:	DATE:	REVISION:	DRAWN:	CHECKED:	APPROVED:

Note:  
 > Designed and approved to AS1940 / AS1692 / AS1657  
 > All welding to AS1554.1



Material:  
 Weight: 2277.63KG

DRAWN: DATE: 2016/1/27  
 CHECKED: DATE:  
 CLIENT: DATE:  
 APPROVED: DATE:

TITLE: PETRO 3000L Cube - L Design  
 DRAWING NO. :  
 PURCHASE ORDER NO. :

REV: 01  
 SHEET: 3 of 3  
 Scale: No scale

A3

