

Size	Total fill Level (L)	Safe fill Level (L) 95%	Length (mm)	Width (mm)	Height (mm)
CUBE1060	1060L	1000L	1577	1132	1237

07					
06					
05					
04					
03					
02					
01					
REV:	DATE:	REVISION:	DRAWN:	CHECKED:	APPROVED:

Note:
 > Designed and approved to AS1940 / AS1692 / AS1657
 > All welding to AS1554.1



Material:
 Weight: 545.68KG

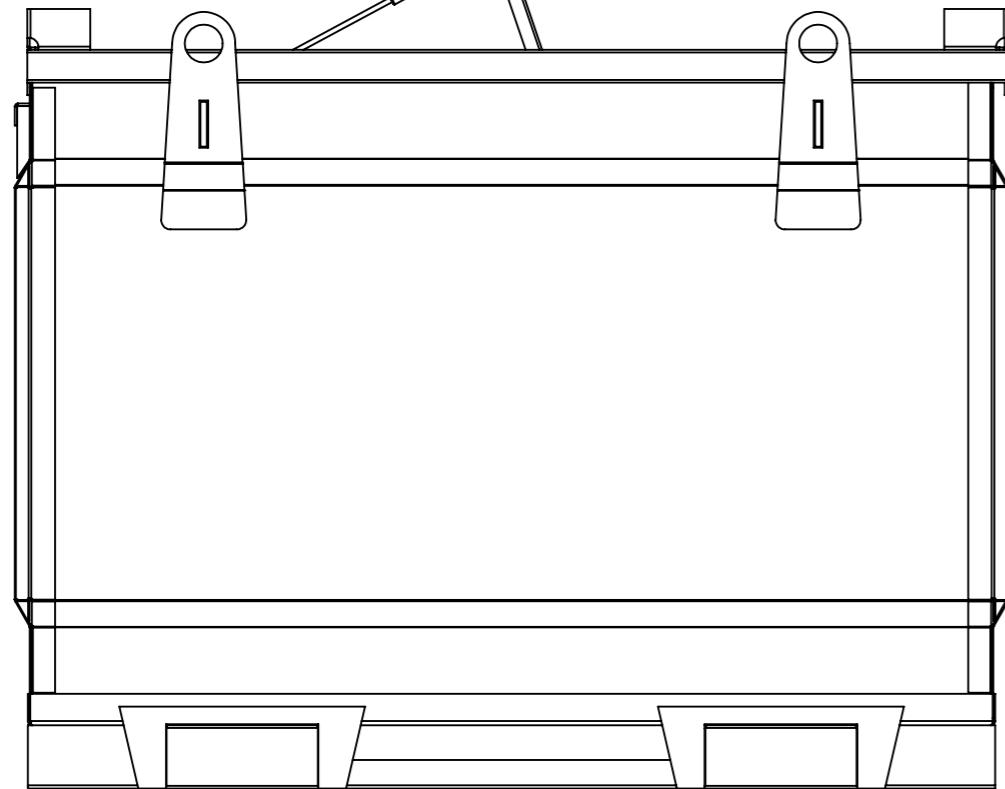
DRAWN: DATE: 2016/7/11
 CHECKED: DATE:
 CLIENT: DATE:
 APPROVED: DATE:

TITLE: PETRO 1100L SELF BUNDED BAFFLED CUBE
 DRAWING NO. :
 PURCHASE ORDER NO. :
 REV: 01
 SHEET: 1 of 4
 Scale: No scale

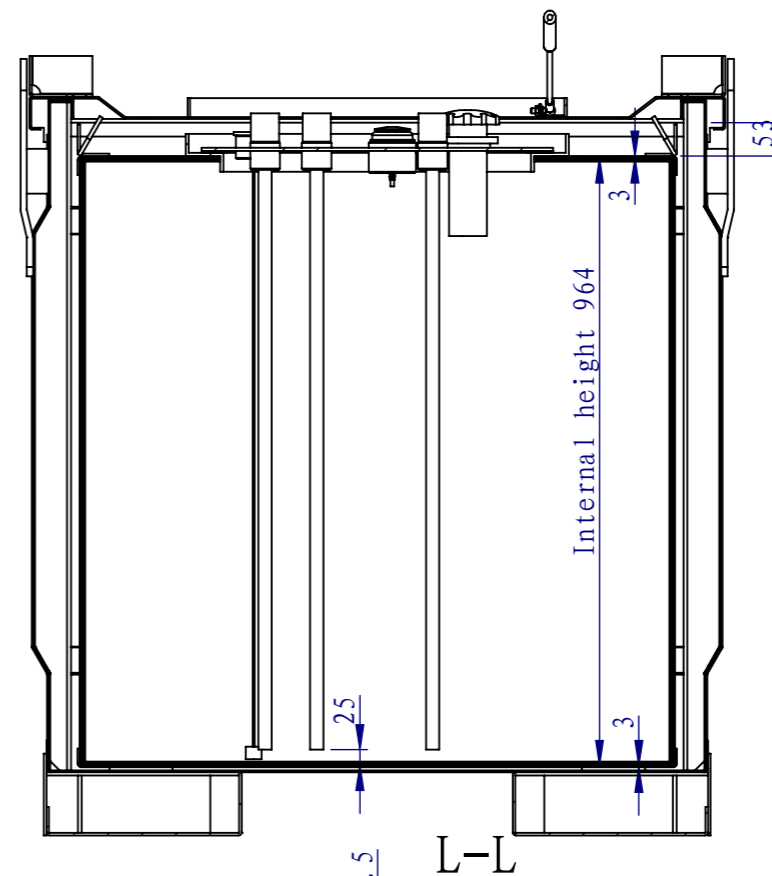
A3



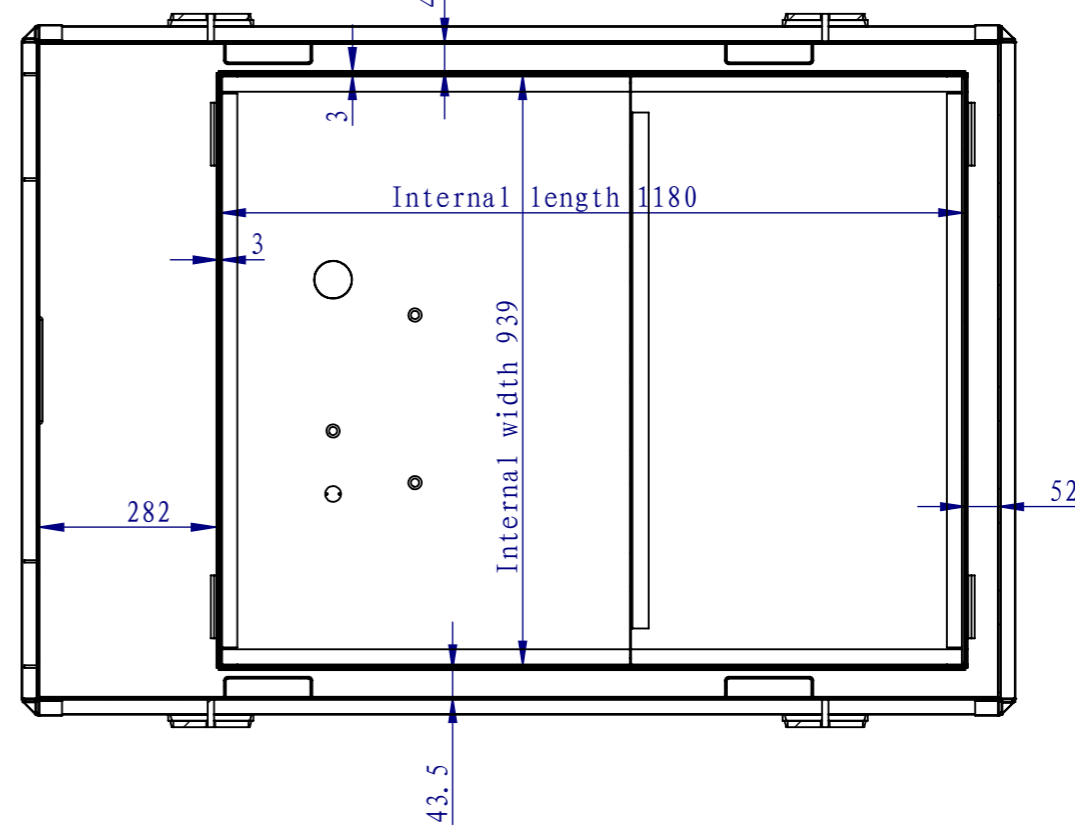
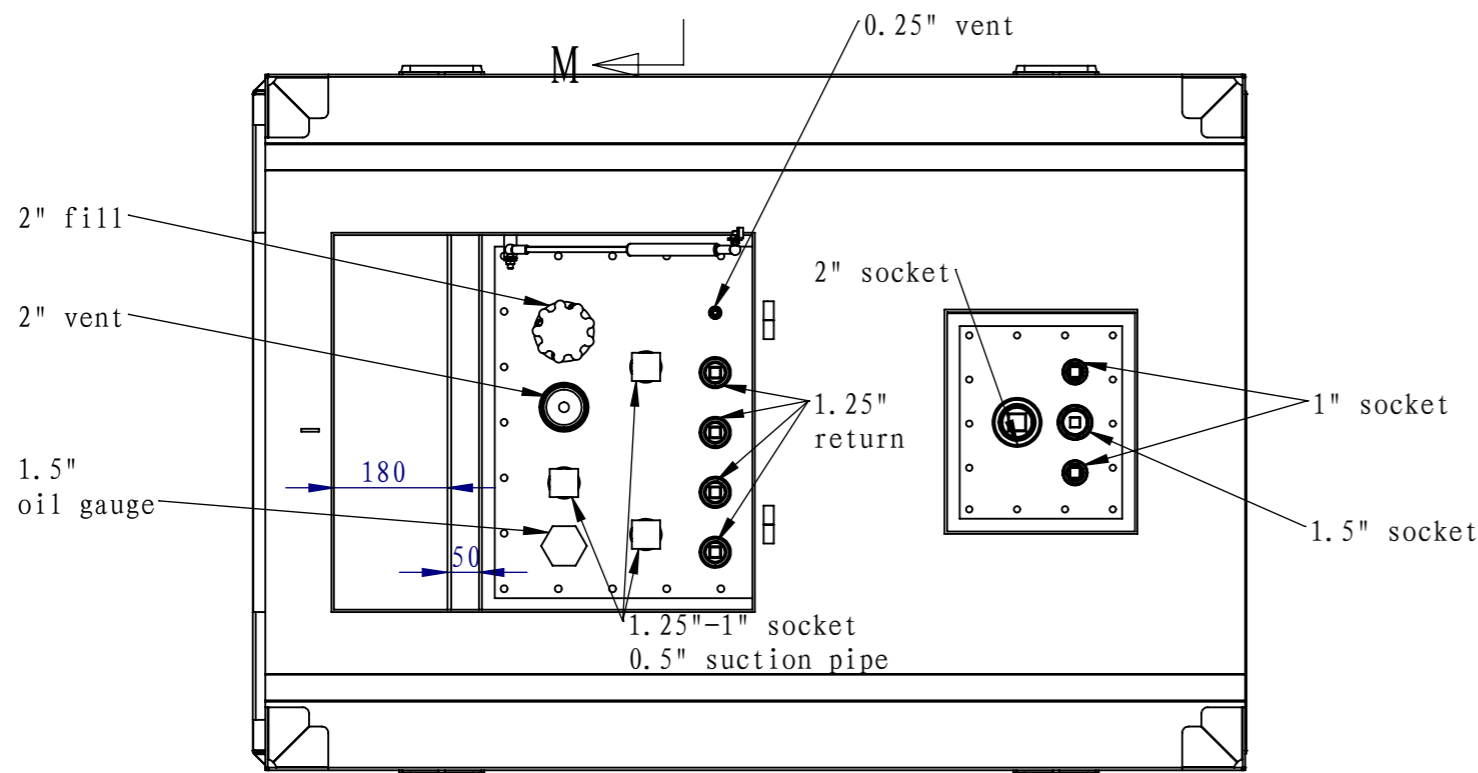
L



L



L-L



07					
06					
05					
04					
03					
02					
01					
REV:	DATE:	REVISION:	DRAWN:	CHECKED:	APPROVED:

Note:
1. All thread is BSP;



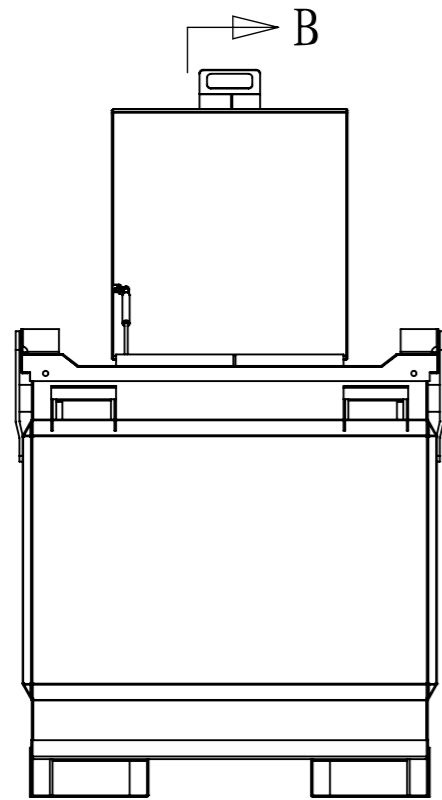
Material:
Weight: 545.68KG

DRAWN: DATE: 2016/7/11
CHECKED: DATE:
CLIENT: DATE:
APPROVED: DATE:

TITLE: PETRO 1100L SELF BUNDED BAFFLED CUBE
DRAWING NO. :
PURCHASE ORDER NO. :
REV: 01
SHEET: 2 of 4
Scale: No scale

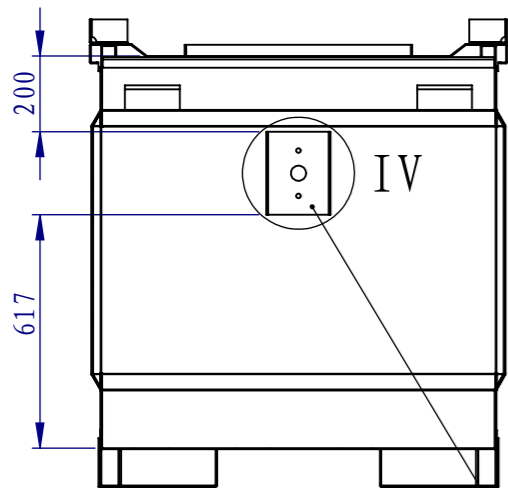
A3



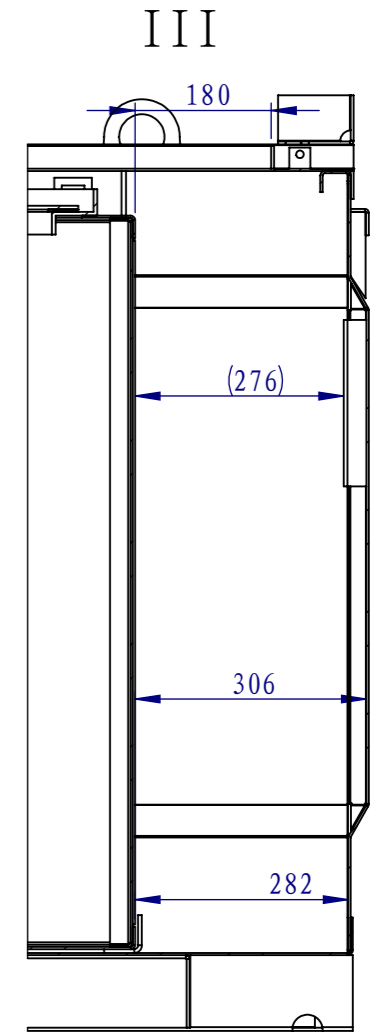
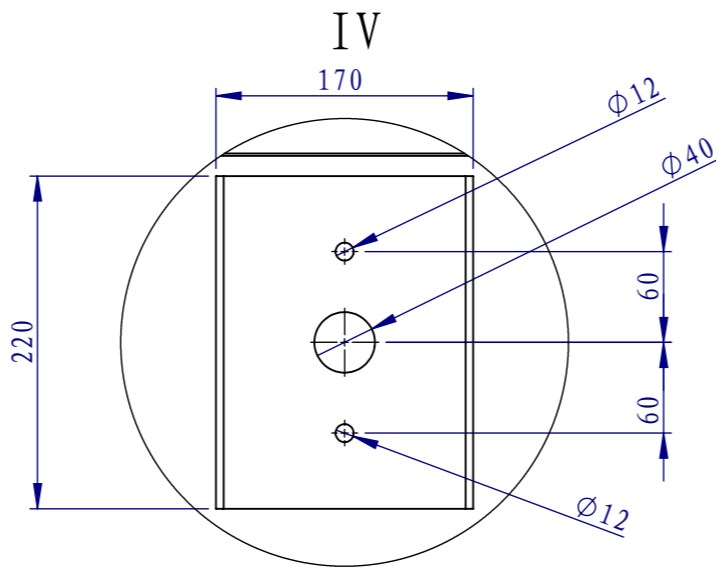
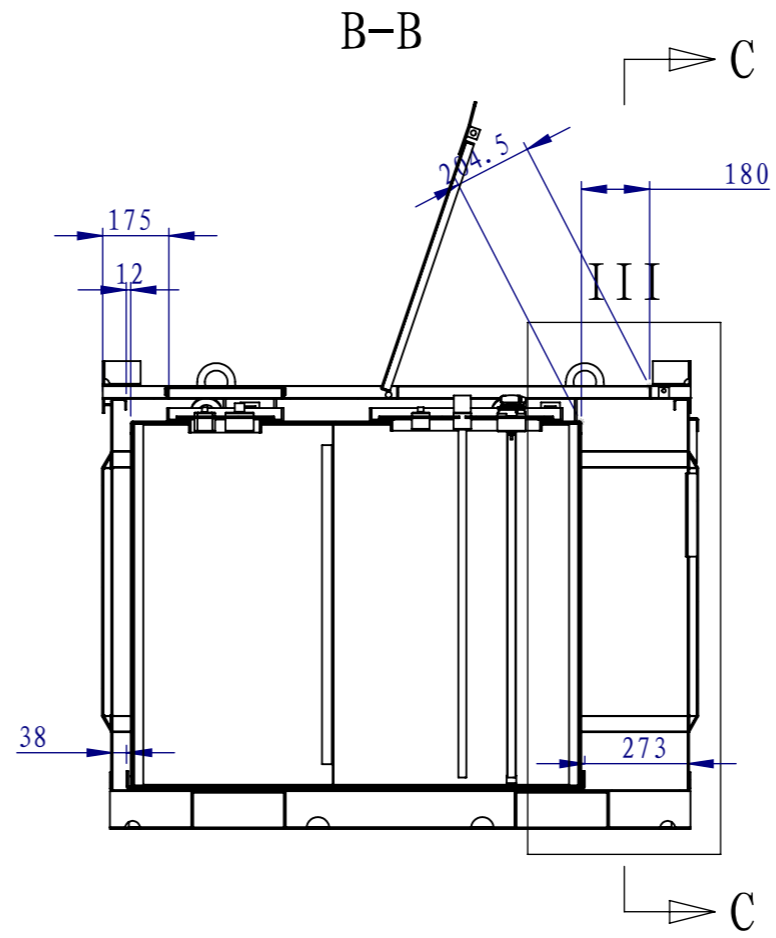


B

C-C



Pump block



07					
06					
05					
04					
03					
02					
01					
REV:	DATE:	REVISION:	DRAWN:	CHECKED:	APPROVED:



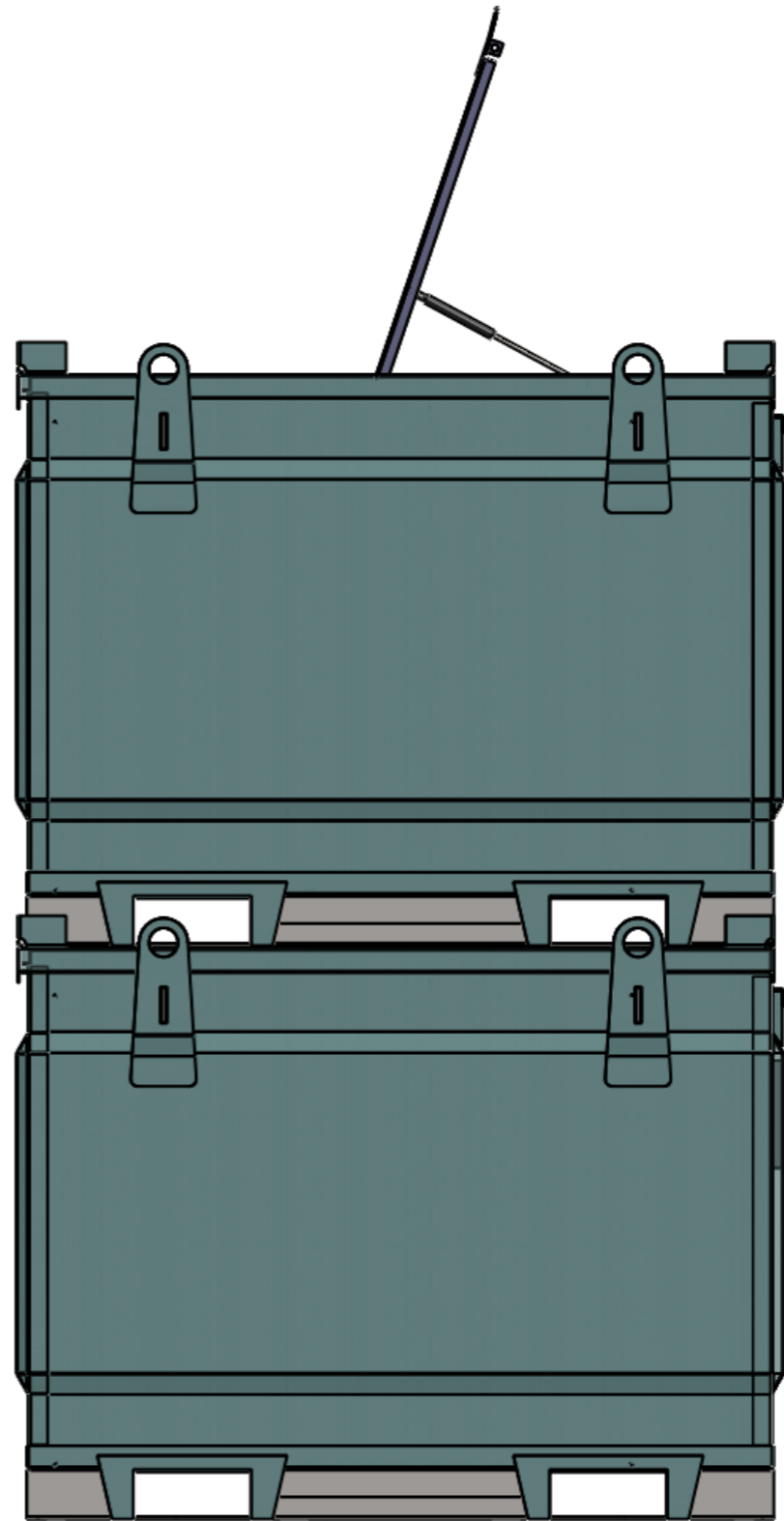
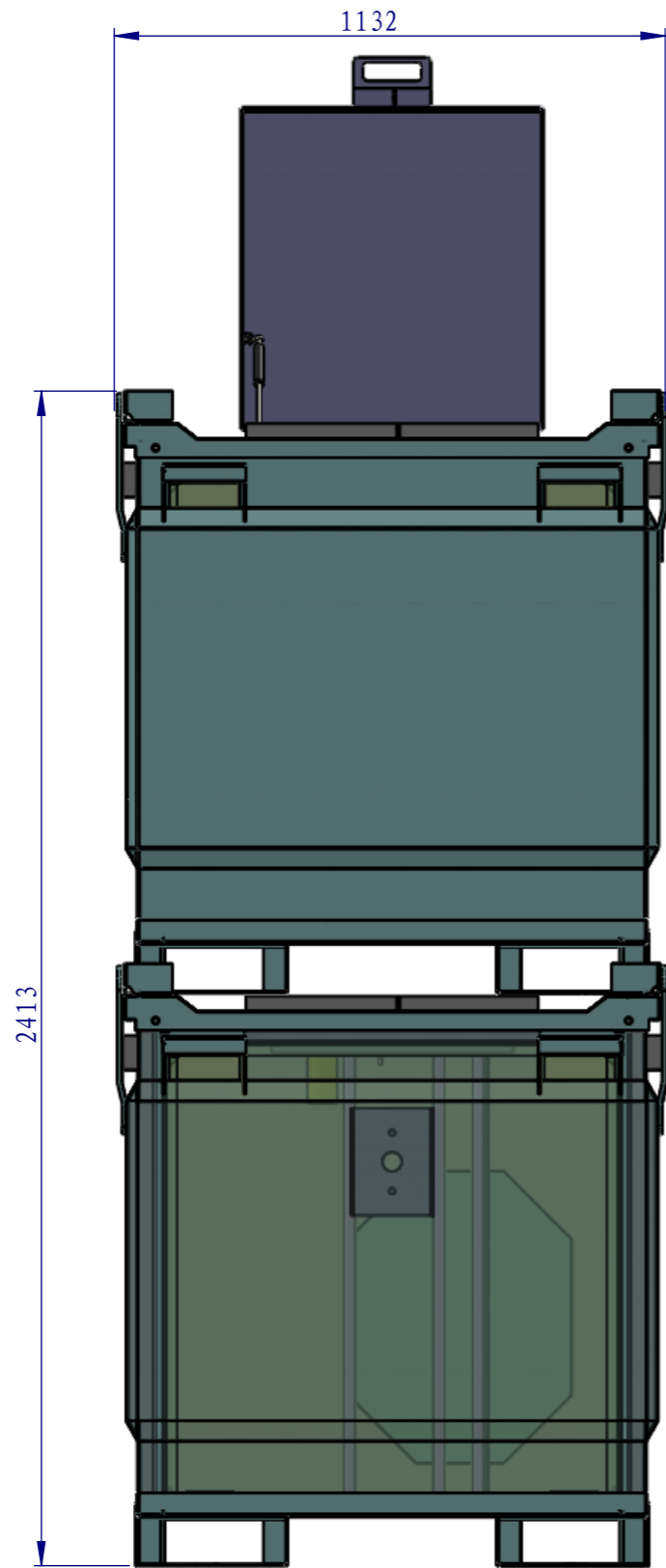
Material:
Weight: 545.68KG

DRAWN: DATE: 2016/7/11
CHECKED: DATE:
CLIENT: DATE:
APPROVED: DATE:

TITLE: PETRO 1100L SELF BUNDED BAFFLED CUBE
DRAWING NO. :
PURCHASE ORDER NO. :
REV: 01
SHEET: 3 of 4
Scale: No scale

A3





07					
06					
05					
04					
03					
02					
01					
REV:	DATE:	REVISION:	DRAWN:	CHECKED:	APPROVED:

Note:
 > Designed and approved to AS1940 / AS1692 / AS1657
 > All welding to AS1554.1



Material:
 Weight: 1079.11KG

DRAWN: DATE: 2016/7/11
 CHECKED: DATE:
 CLIENT: DATE:
 APPROVED: DATE:

TITLE: PETRO 1100L SELF BUNDED BAFFLED CUBE
 DRAWING NO. :
 PURCHASE ORDER NO. :
 REV: 01
 SHEET: 4 of 4
 Scale: No scale

A3

