


TANK DATA	
TANK CONTENTS:	DIESEL
GROSS VOLUME:	10000L
SAFE FILL LEVEL:	9500L

07					
06					
05					
04					
03					
02					
01	2016/05/25	E			
REV:	DATE:	REVISION:	DRAWN:	CHECKED:	APPROVED:

Note:
 > Designed and approved to AS1940 / AS1692 / AS1657
 > All welding to AS1554.1

PETRO INDUSTRIAL

www.petroind.com

Material: _____
 Weight: 3632.28KG

DRAWN: _____
 CHECKED: _____
 CLIENT: _____
 APPROVED: _____

SAVING DATE: 2016/8/11
 DATE: _____
 DATE: _____
 DATE: _____

TITLE: PETRO 10,000L SELF BUNDED BAFFLED CUBE

DRAWING NO. : _____

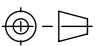
REV: _____

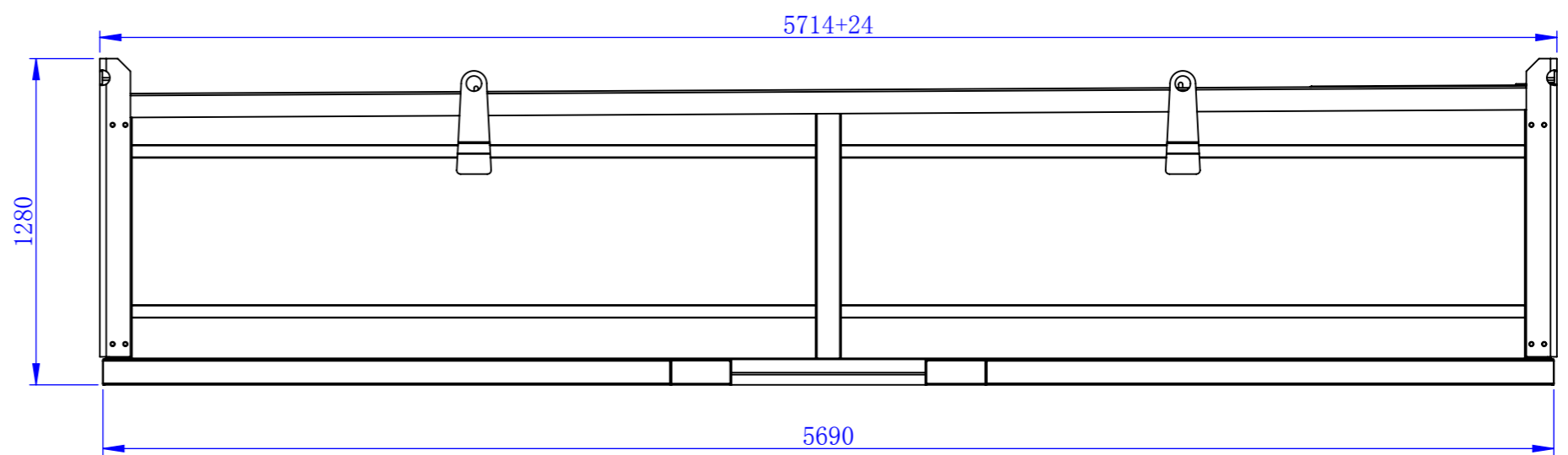
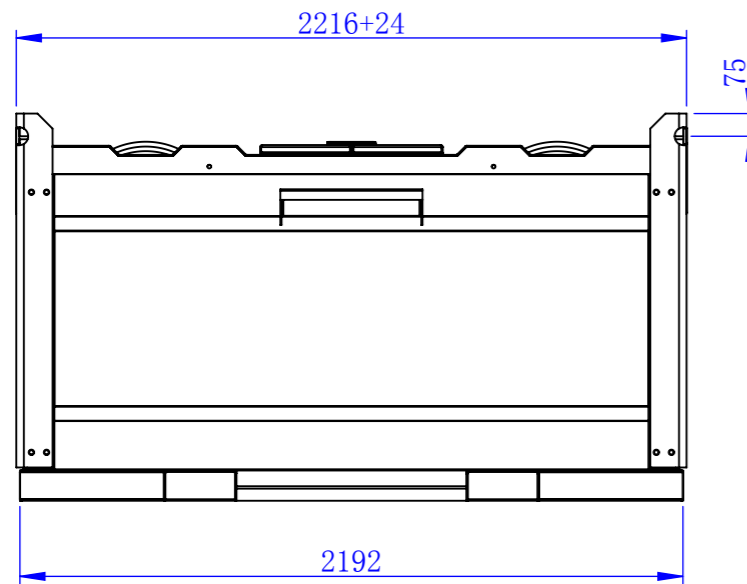
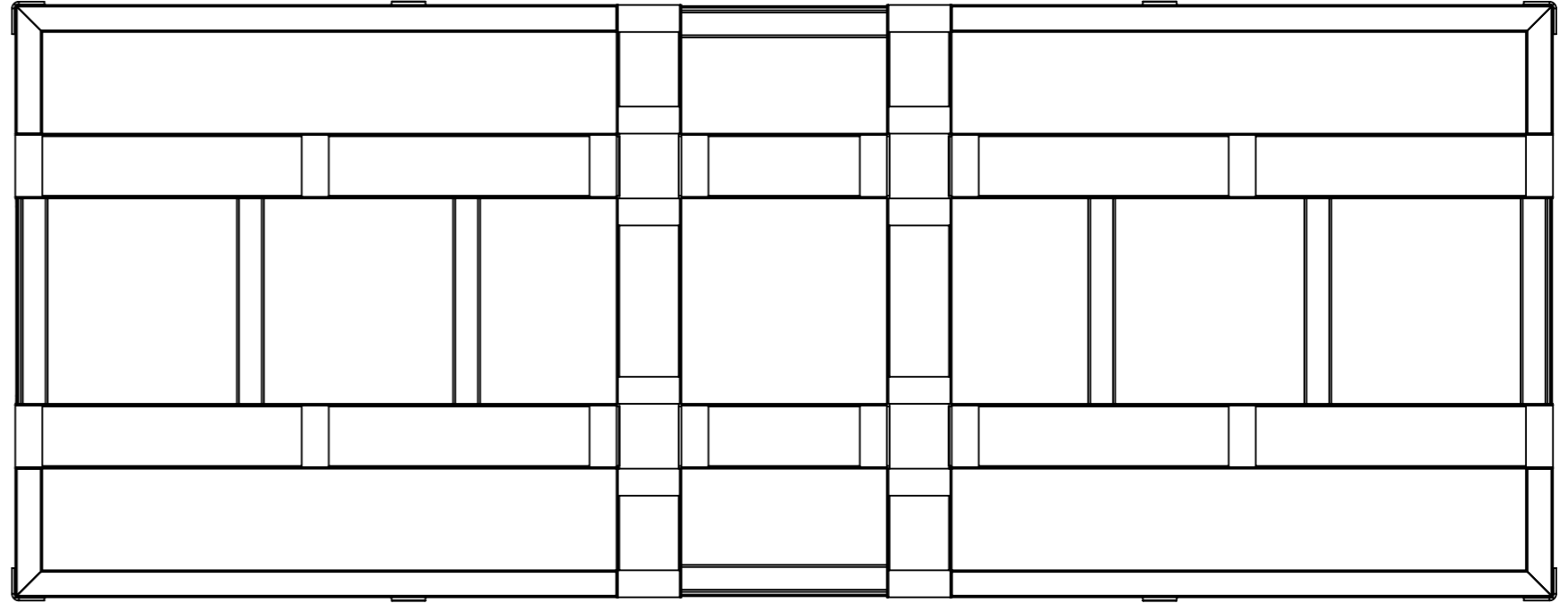
SHEET: 1 of 7

PURCHASE ORDER NO. : _____

Scale: No scale

A3





07					
06					
05					
04					
03					
02					
01					
REV:	DATE:	REVISION:	DRAWN:	CHECKED:	APPROVED:



Material:
Weight: 3632.28KG

DRAWN:
CHECKED:
CLIENT:
APPROVED:

SAVING DATE:
DATE:
DATE:
DATE:

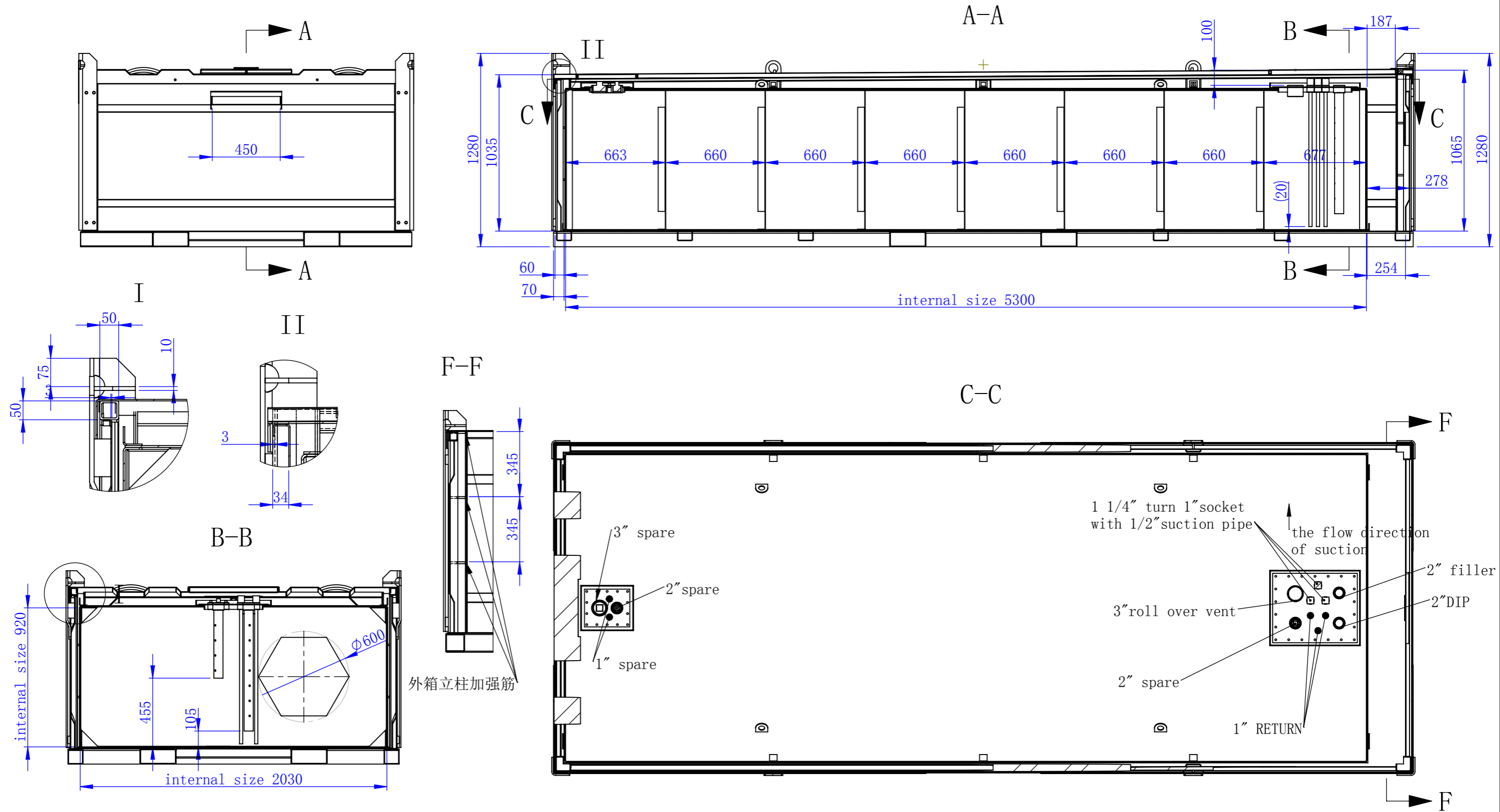
TITLE:
PETRO 10,000L SELF BUNDED BAFFLED CUBE

DRAWING NO. :
PURCHASE ORDER NO. :

REV:
SHEET:
2 of 7
Scale:
No scale

A3





07					
06					
05					
04					
03					
02					
01					
REV:	DATE:	REVISION:	DRAWN:	CHECKED:	APPROVED:

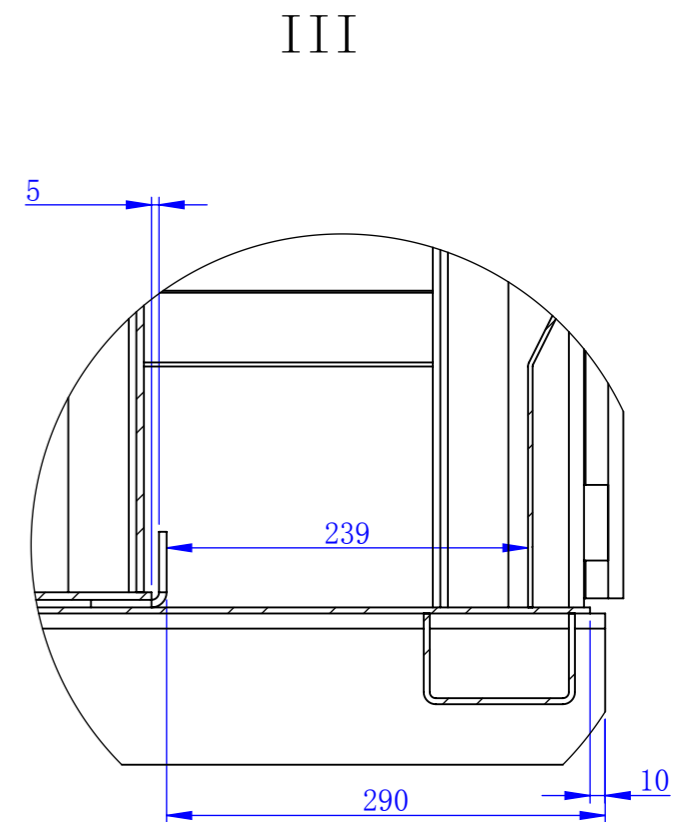
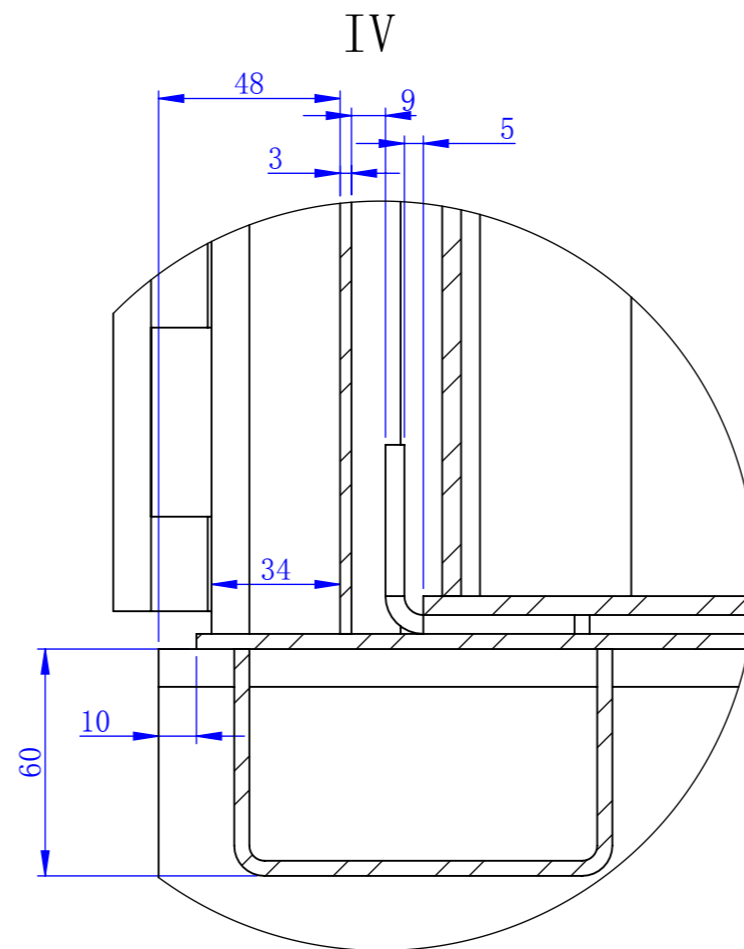
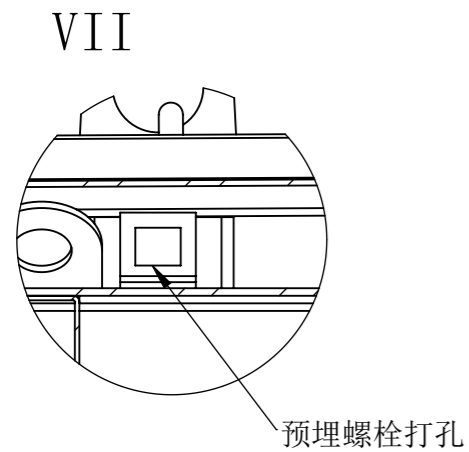
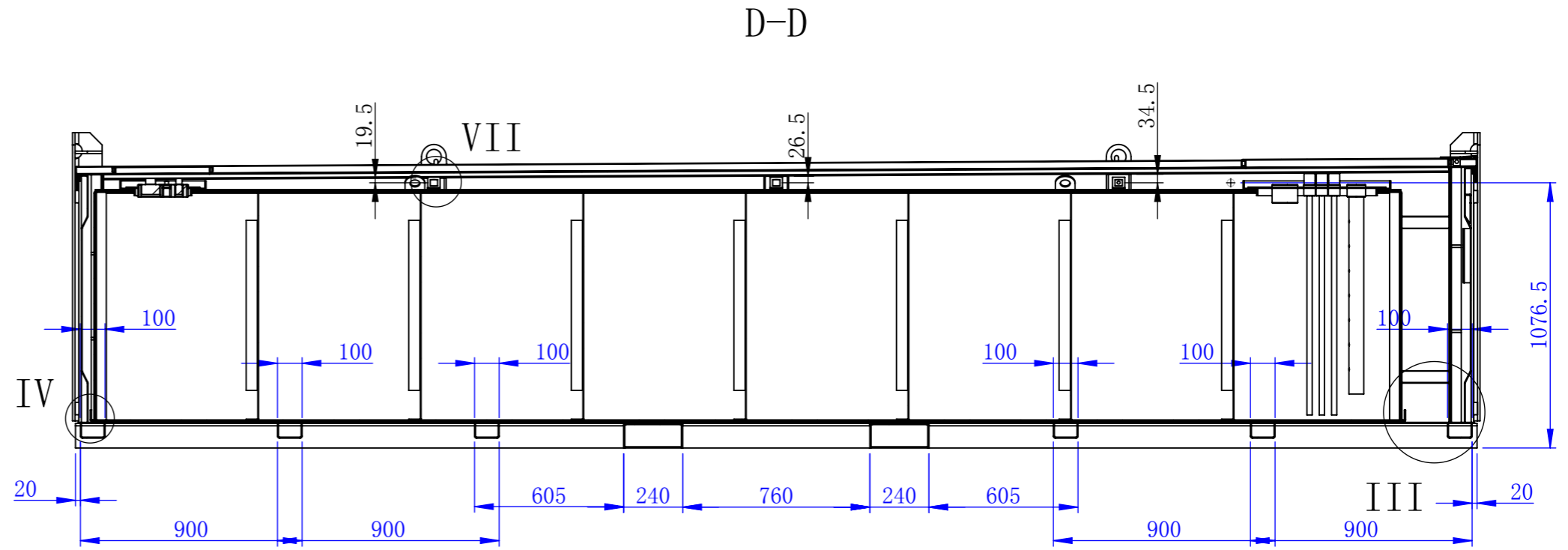
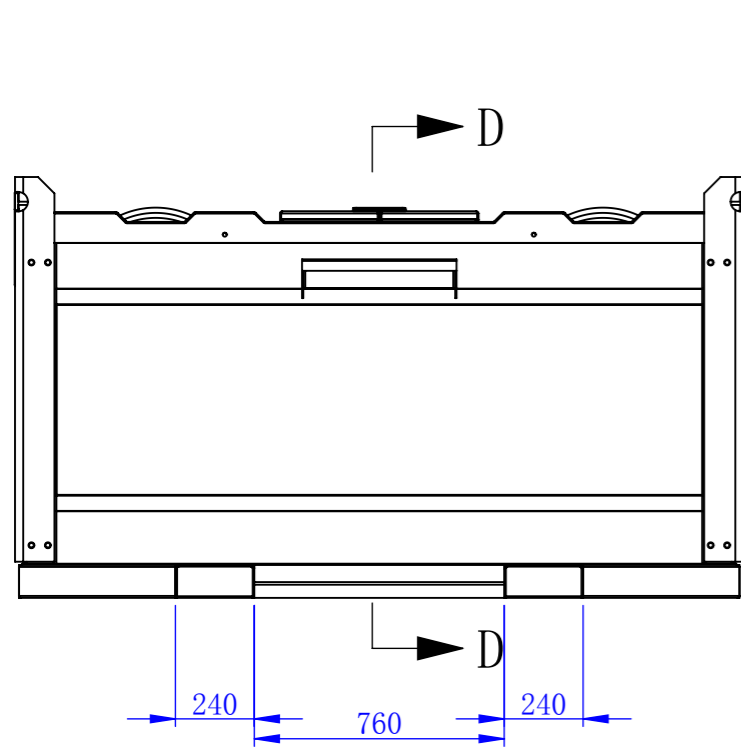


Material:
Weight: 3632.28KG

DRAWN:
CHECKED:
CLIENT:
APPROVED:

SAVING DATE: 2016/8/11
DATE:
DATE:
DATE:

TITLE: PETRO 10,000L SELF BUNDED BAFFLED CUBE
DRAWING NO. :
REV: A3
SHEET: 3 of 7
Scale: No scale
PURCHASE ORDER NO. :



07					
06					
05					
04					
03					
02					
01					
REV:	DATE:	REVISION:	DRAWN:	CHECKED:	APPROVED:



Material:
Weight: 3632.28KG

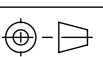
DRAWN:
CHECKED:
CLIENT:
APPROVED:

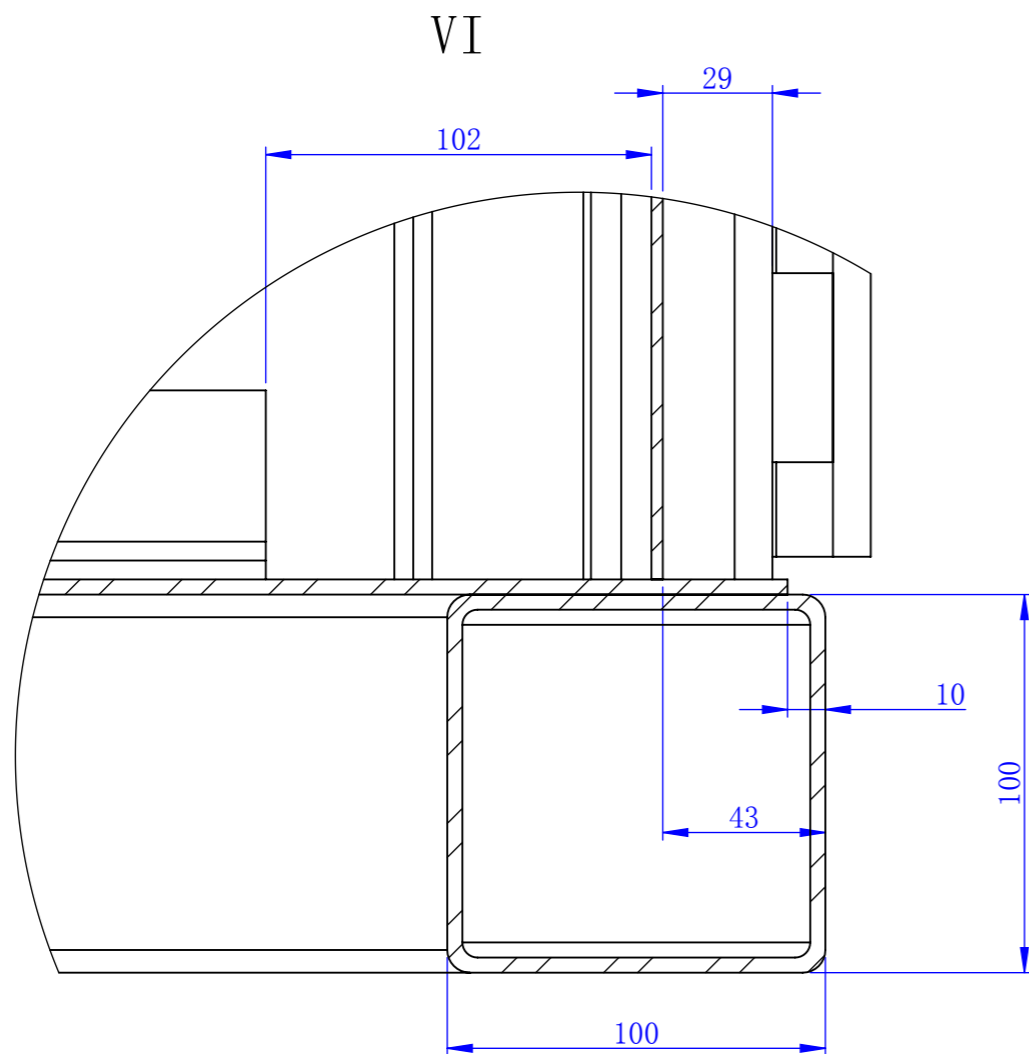
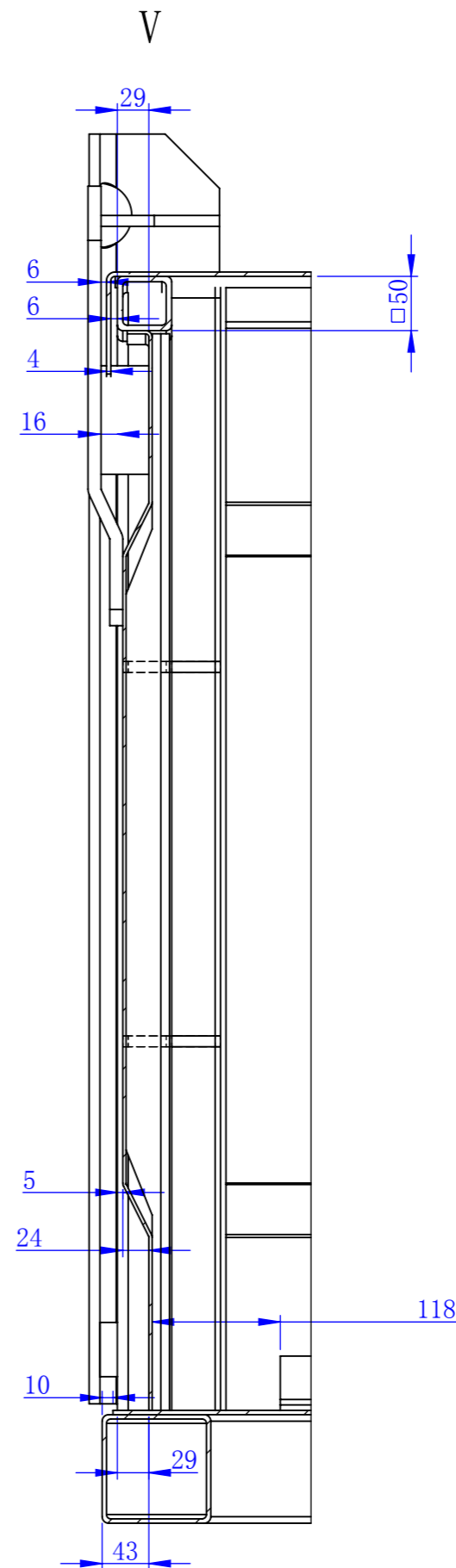
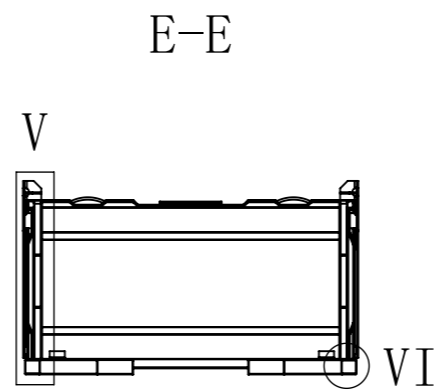
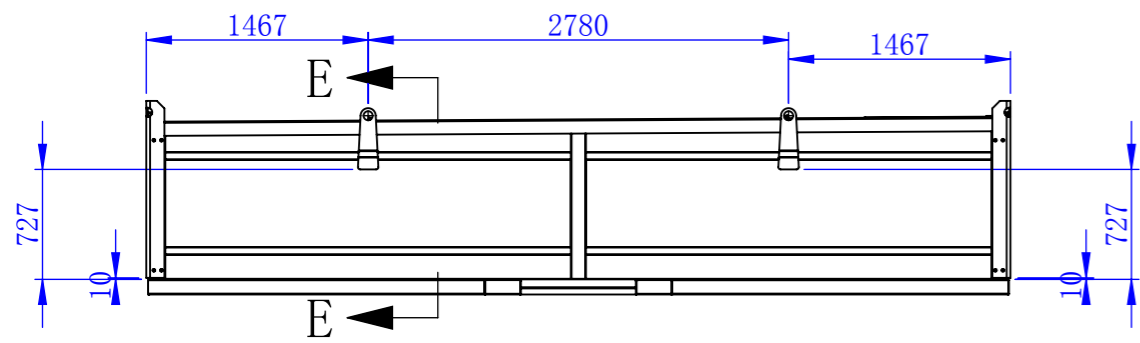
SAVING DATE:
DATE:
DATE:
DATE:

TITLE:
PETRO 10,000L SELF BUNDED BAFFLED CUBE
DRAWING NO. :
PURCHASE ORDER NO. :

REV:
SHEET:
4 of 7
Scale:
No scale

A3





07					
06					
05					
04					
03					
02					
01					
REV:	DATE:	REVISION:	DRAWN:	CHECKED:	APPROVED:



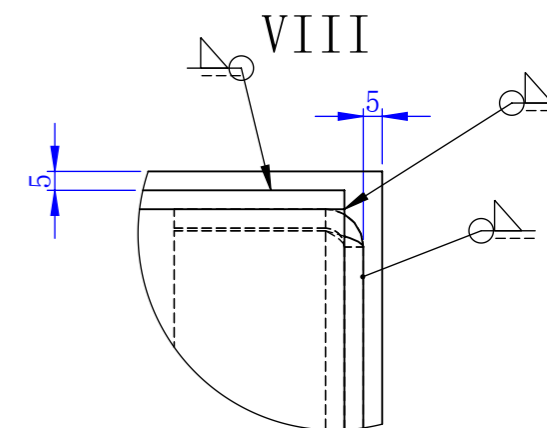
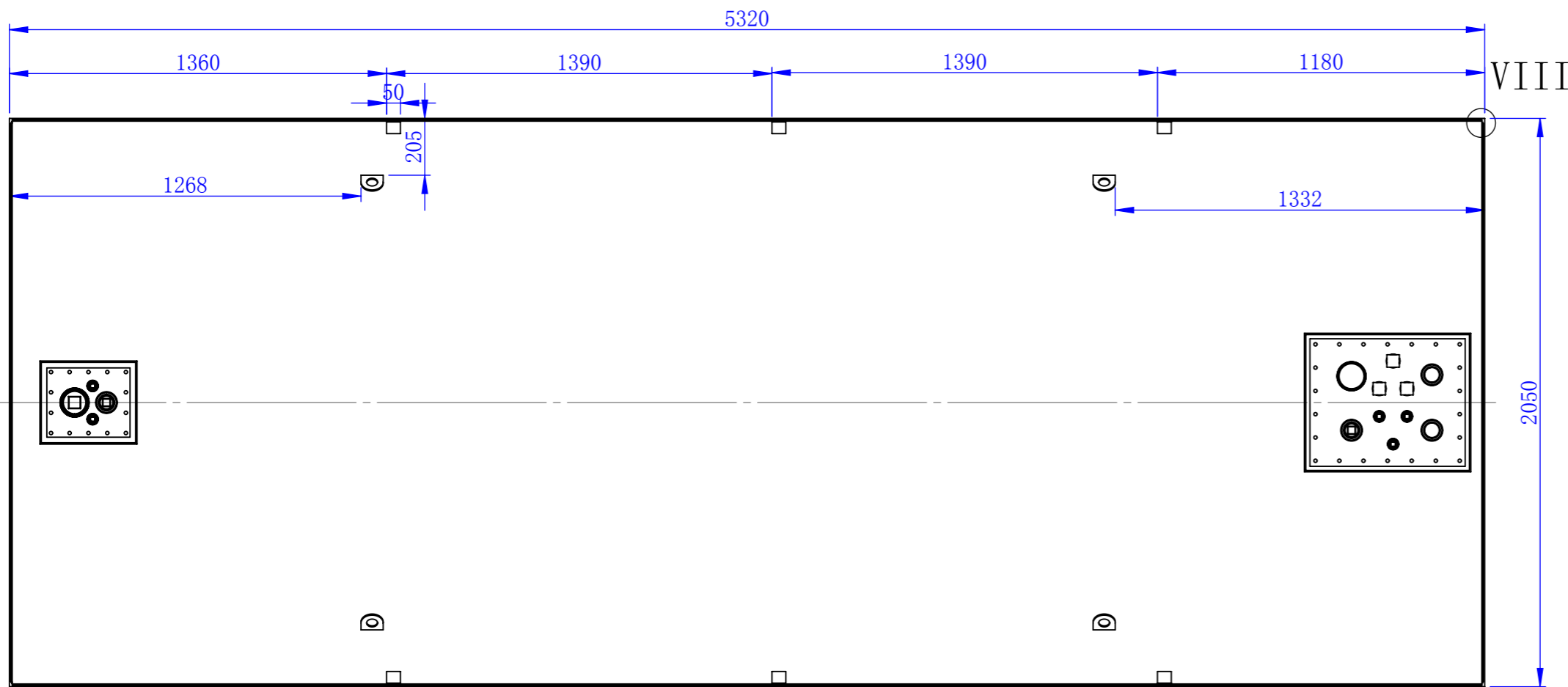
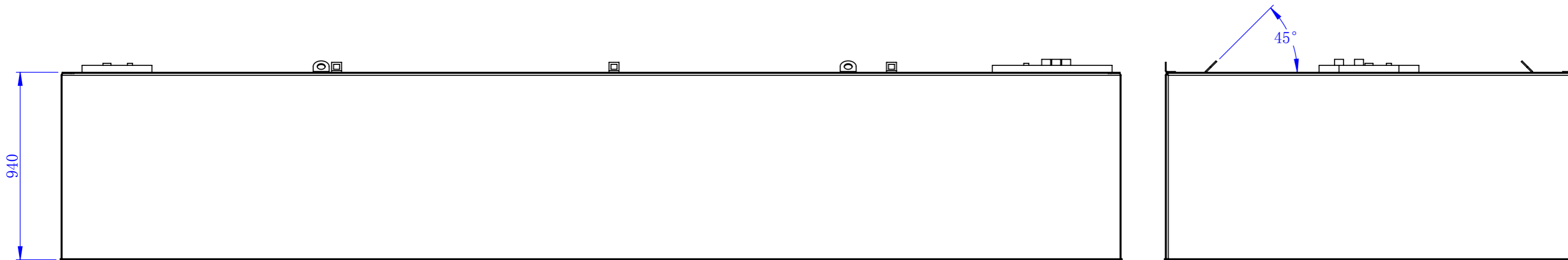
Material:
Weight: 1886.29KG

DRAWN: SAVING DATE: 2016/8/11
 CHECKED: DATE:
 CLIENT: DATE:
 APPROVED: DATE:

TITLE: PETRO 10,000L SELF BUNDED BAFFLED CUBE
 DRAWING NO. :
 PURCHASE ORDER NO. :
 REV: A3
 SHEET: 5 of 7
 Scale: No scale

A3





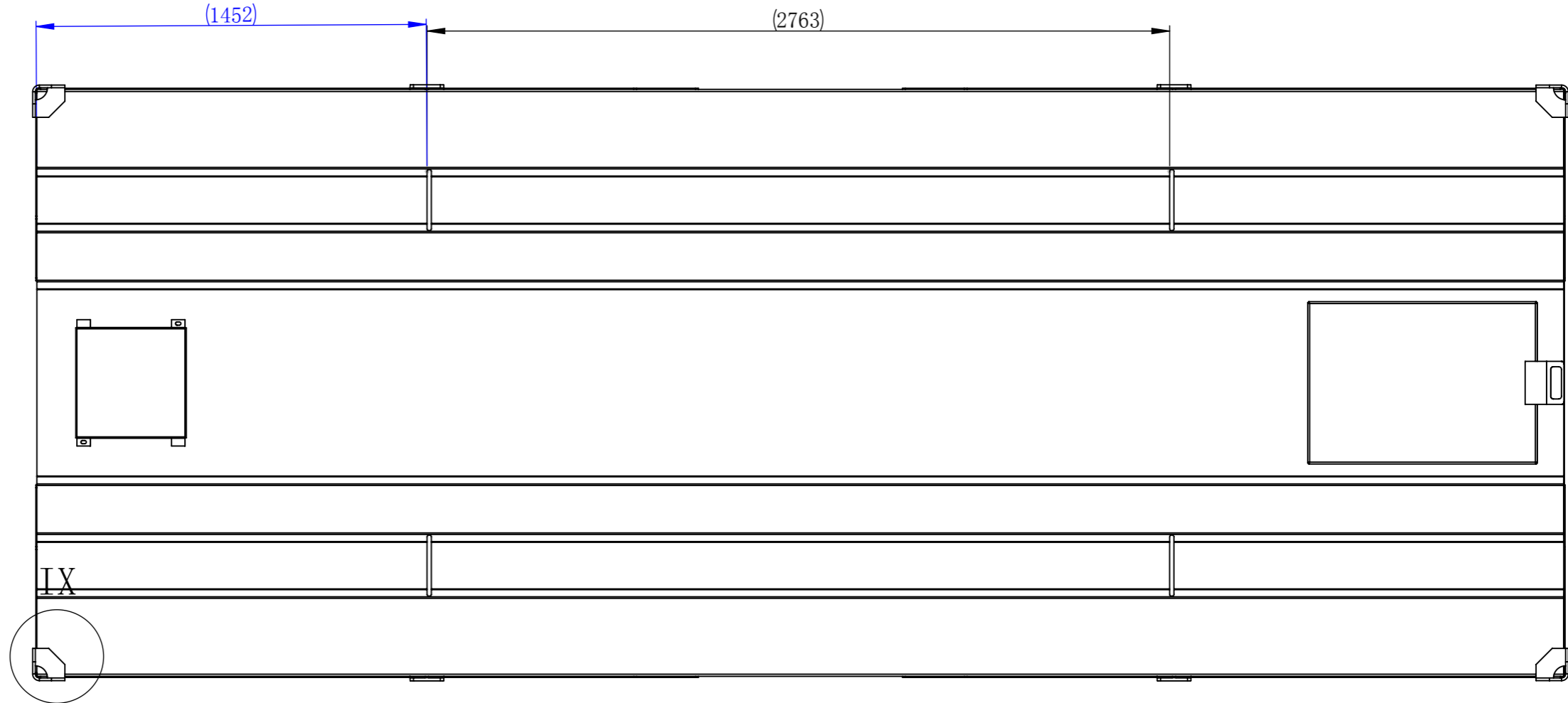
07					
06					
05					
04					
03					
02					
01					
REV:	DATE:	REVISION:	DRAWN:	CHECKED:	APPROVED:



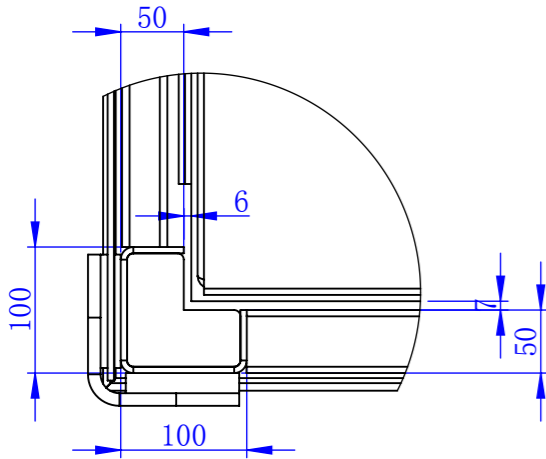
Material:
Weight: 1745.99KG

DRAWN: SAVING DATE: 2016/8/11
 CHECKED: DATE:
 CLIENT: DATE:
 APPROVED: DATE:

TITLE: 1 PETRO 10,000L SELF BUNDED BAFFLED CUBE
 DRAWING NO. :
 PURCHASE ORDER NO. :
 REV: A3
 SHEET: 6 of 7
 Scale: No scale



IX



07					
06					
05					
04					
03					
02					
01					
REV:	DATE:	REVISION:	DRAWN:	CHECKED:	APPROVED:



Material:
Weight: 3632.28KG

DRAWN:
CHECKED:
CLIENT:
APPROVED:

SAVING DATE:
DATE:
DATE:
DATE:

TITLE:
PETRO 10,000L SELF BUNDED BAFFLED CUBE
DRAWING NO. :
PURCHASE ORDER NO. :

REV:
SHEET:
7 of 7
Scale:
No scale

A3

