



BUTTERFLY VALVES MANUAL, AIR & ELECTRIC OPERATED RANGE

Item code: BFSTD-SUP1

The BFK range of Wafer style ductile iron Butterfly valves are available with pneumatic, electric or manual actuation. The BFK series has a cast iron body, 304 S.S disc and an EPDM seat making them suited to a wide range of general water applications.

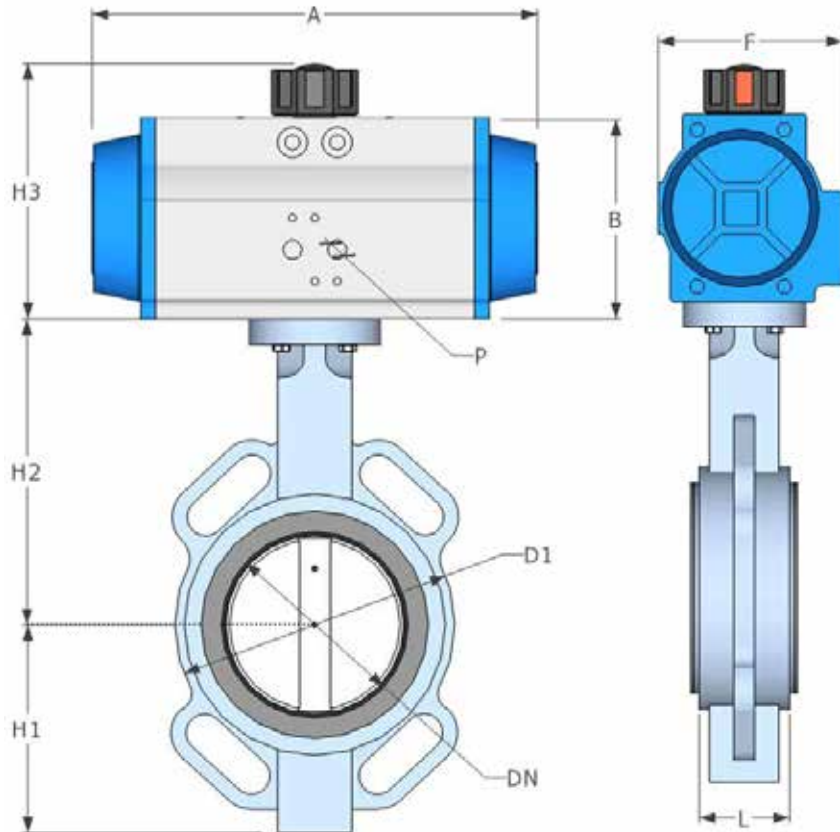
These wafer butterfly valves will fit all standard flanges and are operated by either a lever or gear box (ISO 5211 mounting pad allows direct mounting).

Designed & manufactured in accordance with API609, inspected and tested in accordance with API598. Common applications include water trucks, irrigation and non corrosive industrial applications.

If sizes above 300mm are required please see BFD series (cast iron, 316 SS disc).

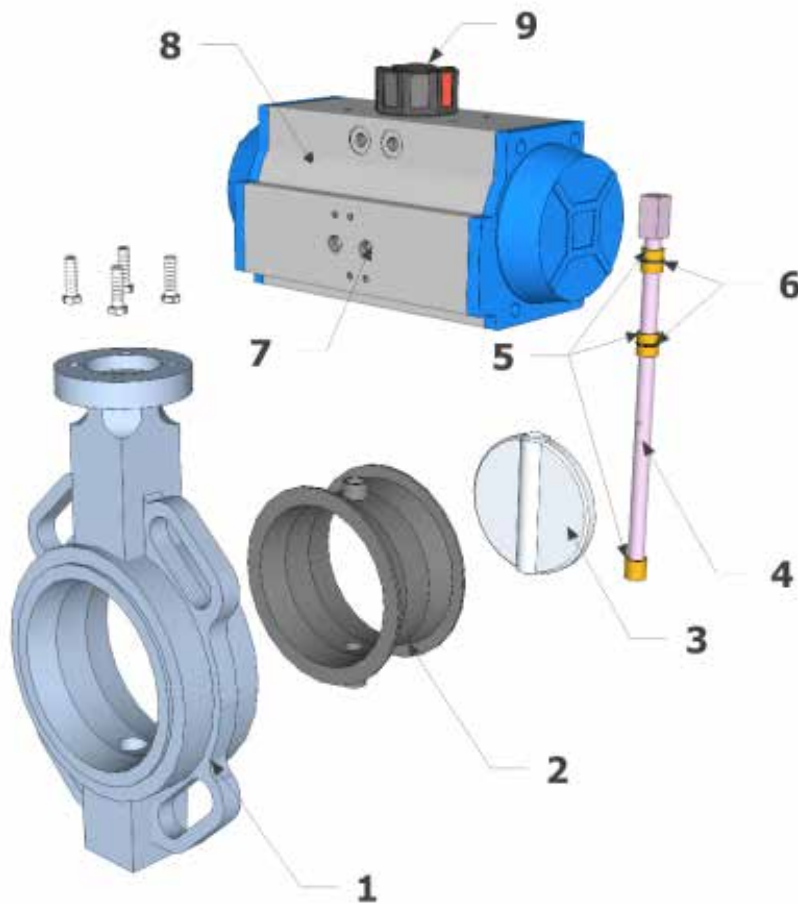
MANUAL ACTUATION:

Model	Nominal Diameter	Actuator	Media Pressure	Actuator Pressure	Media Temp.
BFD50-DA-E	50mm	DA50	0 to 16 Bar	6 to 8 Bar	-10°C to 120°C
BFD65-DA-E	65mm	DA50			
BFD80-DA-E	80mm	DA63			
BFD100-DA-E	100mm	DA75			
BFD125-DA-E	125mm	DA75			
BFD150-DA-E	150mm	DA88			
BFD200-DA-E	200mm	DA115			
BFD250-DA-E	250mm	DA125			
BFD300-DA-E	300mm	DA145			
BFD350-DA-E	350mm	DA160			
BFD400-DA-E	400mm	DA180			
BFD450-DA-E	450mm	DA200			
BFD500-DA-E	500mm	DA240			
BFD600-DA-E	600mm	DA270			



DIMENSIONS (mm):

ND	Actuator	L	H1	H2	H3	A	B	F
50	DA50	43	71.3	125	90	138	70	71
65	DA50	46	77.5	140	90	138	70	71
80	DA63	46	89.2	145	101	162	81	80.4
100	DA75	52	101.5	165	117	208	97	94.5
125	DA75	56	117.5	178	117	208	97	94.5
150	DA88	56	145	185	136	245	116	109
200	DA115	60	163.5	225	172	310	142	137
250	DA125	68	190.5	257	184	340	154	148
300	DA145	78	230	302	209	401	179	168.5
350	DA160	78	267	368	222	430	192	186.5
400	DA180	102	297	400	252	482	222	204
450	DA200	114	318	422	274	532	244	224
500	DA240	127	348	480	308	662	288	266
600	DA270	154	444	562	353	730	323	306



CONSTRUCTION:

Item	Article	Material
1	Body	Fusion Bonded Epoxy Cast Iron
2	Seat	Phenolic backed cartridge style EPDM
3	Disc	316 Stainless Steel
4	Shaft	416 Stainless Steel
5	Bushings	PTFE
6	Stem Orings	EPDM
7	Actuator Ports	Anodized Aluminium
8	Pneumatic Actuator	Anodized Aluminium
9	Visual Indicator	Thermoplastic



ELECTRIC ACTUATION:

Model	Nominal Diameter	Electric Operation	Voltage Code
BFL50-E-E	50mm (2")	OM-1	1 – 240vAC 2 – 110vAC 5 – 24vAC 7 – 12vDC 8 – 24vDC
BFL65-E-E	65mm (2½")	OM-1	
BFL80-E-E	80mm (3")	OM-1	
BFL100-E-E	100mm (4")	OM-A	

The OM series is a robust range of 1/4 turn electric actuators suitable for the on/off activation of Ball or Butterfly valves.

A powerful motor with inbuilt thermal protection drives a pre-lubricated heavy duty steel gear train running in bronze bushes. They are encased in a powder coated die cast protective housing that has an IP67 rating (dust tight and submersible for limited periods).

All models have a visual position indicator and a manual override.

The ISO 5211 mounting and female square drive allows direct coupling to valves with a similar configuration. Standard models drive through 900 and can be fitted with voltage free contacts for end of stroke feedback. Positioner models with 4-20mA or 2-10v modulating control are also available in all sizes.



STANDARD FEATURES:

- IP67 weatherproof rating and Humidity up to 95%.
- Ambient temp. -5°C ... +60°C.
- Duty cycle is 30% to 75% depending on ambient temperature, voltage and actuator model, and relates to the 135°C thermal motor protection. (some modulating versions have a 75% duty cycle)
- Always allow a 35% safety margin when sizing torque requirements.

OPTIONAL FEATURES:

- Torque limit switch (overload protection).
- Anti-condensation heater - 15 watt.
- Two SPOT voltage free micro switches and cams (end of stroke feedback).
- Potentiometer and position transmitter (4-20mA feedback).
- Modulating control (4-20mA or 2-10v input and feedback).

PETRO INDUSTRIAL



petroind.com



OM SERIES – SPECIFICATIONS:

Model	Torque Nm	Time (sec) 90°		(AMP) 12v AC/DC		(AMP) 24v AC/DC		(AMP) 110v AC		(AMP) 240v AC		(AMP) 415v	
		AC	DC	Run	Start	Run	Start	Run	Start	Run	Start	Run	Start
OM-1	35	13*	15	0.5	3	0.6	0.8	0.5	1.5	0.3	1	-	-
OM-AL	50	24*	24	0.5	3	0.7	0.8	0.5	1.5	0.3	1	-	-

*For 24vAC use the DC Speed

OM SERIES – DIMENSIONS (mm):

Model	A	B	C	ISO 5211 Mounting	SQ Drive Female	ADJ. Stops	Manual Override
OM-1	108	155	-	FO3 / FO5	14	No	Spanner Drive
OM-AL	108	200	-	FO7	14	No	Lever

