



4 LITRE CLOSED CIRCUIT SAMPLER

Item code: PETRO4CCS

The PETRO 4 Litre Closed Circuit Sampler has been designed to overcome problems that impact the accuracy of sampling. Its design ensures that there is no contamination to the sample during transfer to the Sampler. It also removes the risk of fuel spillage and contact with operations staff.

FEATURES:

- Clear glass tube fitted to a white epoxy coated conical base (to assist in the detection of dirt and water).
- Hinged vented cover (to assist with easy cleaning of the Sampling equipment).
- Gravity drainage is possible.

BENEFITS:

- No fuel spillage.
- No sample contamination.
- Easy to clean.
- Easy detection of dirt and water.
- Full visual aviation fuel checking a closed system.
- Direct drainage under gravity.
- Water detection, density and temperature checking options.

ORDERING INFO:

Description	BSPB Threads	NPT Threads
Basic Model	6007233001	6007233021
Basic Model +Internal Velcon Hydrokit Fitting	6007233002	6007233026
Basic Model + Internal Shell Water Detector Fitting	6007233003	6007233025
Basic Model + Internal Velcon Hydrokit Fitting + Hydrometer and Thermometer Tubes	6007233004	6007233024
Basic Model + Internal Shell Water Detector Fitting + Hydrometer and Thermometer Tubes	6007233005	6007233022
Basic Model + Hydrometer and Thermometer Tubes	6007233016	6007233023
Adds External Shell Water Detector Fitting	6007233212	6007233213
Adds External Velcon Hydrokit Fitting	6007233203	6007233204
Capsule Catcher for retro fit	6007233264	6007233264
Adds 3/8" Apollo Spring Close Fill Valve	06076502P01	0607650201



DESCRIPTION AND OPERATION:

The Aljac CCS consists of a clear glass tube fitted to a white epoxy coated conical base to assist in the detection of dirt and water, and with a hinged vented cover. The base incorporates a tangential inlet port to promote vortexing of the incoming fuel, and a close coupled Stainless Steel drain valve. The inlet port should be connected to the sample points using small bore tubing (typically 10mm diameter), and we recommend fitting spring close inlet valves close to the CCS to control the filling operation, which we can also supply. The drain port should be connected into the hydrant dispenser dump tank, depot product recovery system, or storage tank using 20mm inside diameter pipework. It is recommended that the CCS is located such that gravity drainage is possible. If not, we are able to supply a rotary pump and non return valve to drain the CCS.

When fuel is drawn into the CCS under pressure from the sample points the tangential inlet port promotes vortexing of the incoming fuel. This concentrates any contamination in the centre of the base, making detection very easy. After the fuel has been visually inspected the drain valve is opened to release the sample. Internal cleaning of the Aljac CCS is easily accomplished through the hinged lid.

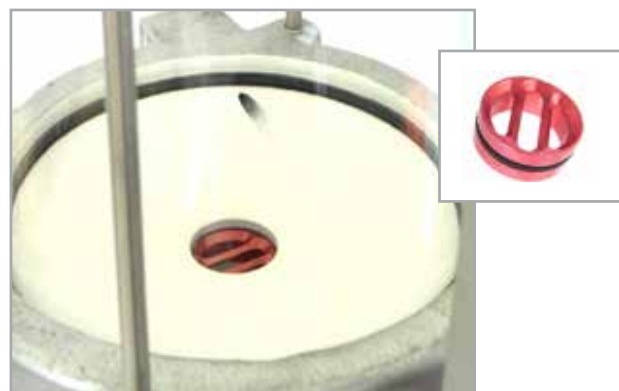
A number of options are also available. Hydrometer and thermometer pockets for density and temperature checks can be provided in conjunction with a removeable inner lid. It is also possible to carry out the Shell Water Detector or Exxon Hydrokit test on the fuel sample using an option which can either be fitted to the inner lid (internal), or to a self sealing valve in the inlet port (external). The Aljac CCS is available with BSPP or NPT threads.

THE CAPSULE CATCHER:

Our Sampler is fitted with a Capsule Catcher inside the drain valve. It prevents any SWD capsules which have been inadvertently dropped into the sampler from passing into the drain pipework.

It does so without disrupting the vortex flow pattern of fuel entering the sampler, and also allows the sampler internals to be easily cleaned.

The Capsule Catcher can also be retro fitted to existing Aljac Samplers.



**Capsule Catcher as retro fit to existing
Aljac Samplers
Part No. 6007233264.**

PETRO INDUSTRIAL



petroind.com



OPTIONS:



Thermometer Tube.
Code: 6007233167



External SWD Fitting.
Code: 60072331212 or
6007233213



Hydrometer Tube.
Code: 6007233166



Internal Shell Water Detector
Fitting with Drop Tube.
Code: 6007233185



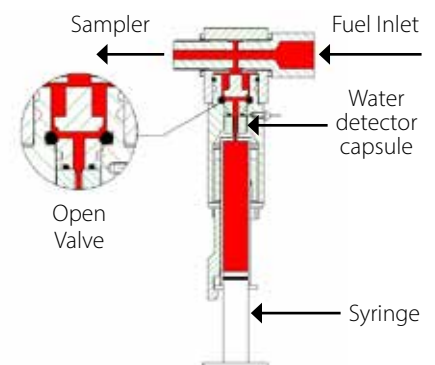
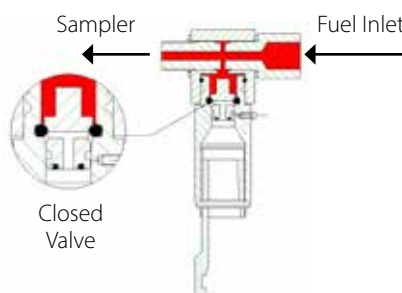
Internal Shell Water
Detector Fitting.
Code: 6007233168

EXTERNAL SWD FITTING OPERATION:

The External SWD fitting was designed to allow the SWD test to be carried out without opening the sampler lid and so exposing the fuel sample to possible contamination. The External SWD is fitted to the inlet connection of the sampler and incorporates a piston valve. When the assembled syringe/capsule is inserted into the External SWD Fitting the action of doing so causes the front edge of the capsule to push open the piston valve, and allows fuel to flow to the capsule, as shown below. The syringe can be operated as normal to draw fuel through the capsule.



External Shell Water
Detector Fitting,
BSPF.
Code: 6007233212
or 6007233213



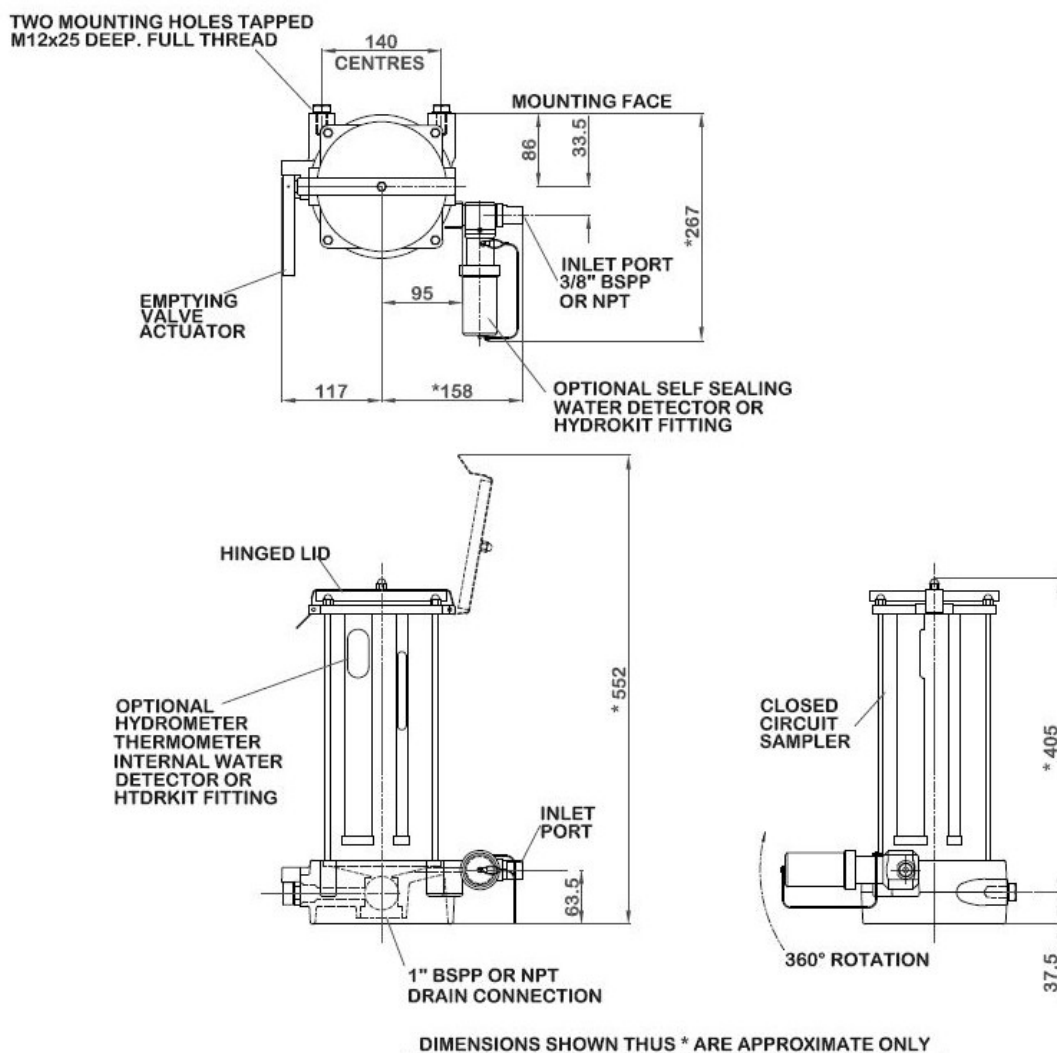
PETRO INDUSTRIAL



petroind.com



GENERAL ARRANGEMENT DRAWING:



SPECIFICATIONS:

- Working Capacity: 4 Litres.
- Materials: Borosilicate glass tube, cast Aluminium base and upper section, base white epoxy lined internally.
- Connections: Inlet 3/8" BSPP or NPT female threaded, outlet 1" BSPP or NPT female threaded.
- Mounting Holes: M12 female threaded.
- Overall Dimensions: 405mm high (lid closed), 275mm wide (with SWD fitting), 267mm deep.
- Nett Weight: 5 Kg (empty).

PETRO Contact Information

AFRICA

South Africa

Factory 14 Bentonite Street
Alrode, Alberton, Johannesburg
South Africa
P: +27 (0)11 864 7758
F: +27 (0) 11 864 1649
E: sales@petroindustrial.co.za

UAE

Dubai

Office LB17330, Lobby Building 17
Jebel Ali Free Zone
PO Box 18602
Dubai, United Arab Emirates
P: +971 488 76688
F: +971 488 76932
E: salesuae@petroind.com

AUSTRALIA

Eastern Australia

Factory 2, 106 Potassium Street
PO Box 407
Narangba QLD 4504
P: 07 3204 9558
F: 07 3293 4852
E: sales@petroindustrial.com.au

Western Australia

173 Mulgul Road, Malaga WA 6090 AU
P: +61 (8) 6305 0855
E: saleswa@petroperth.com.au

PETRO INDUSTRIAL



petroind.com