



316 SS BALL VALVE V PORT CONTROL 3 PIECE FULL BORE SCR BSP MANUAL

Item code: BV3V-SUP1

High performance 3 piece full bore 316 Stainless Steel 60 degree V port ball valve with BSP threaded connections.

FEATURES:

- Self adjusting stem packing assembly with belleville spring for temperature fluctuations and vibration.
- Pre drilled metric hole on ISO5211 direct mounting pad to minimise any thermal transfer from valve to actuator.
- Reinforced PTFE seats for temperatures up to 180°C.
- Typically used in situations where a finer degree of flow control is needed.
- Comes with lockable handle.
- Can be direct mounted with a modulating electric actuator or a spring return or double acting pneumatic actuator with a electro-pneumatic positioner to give positioning.

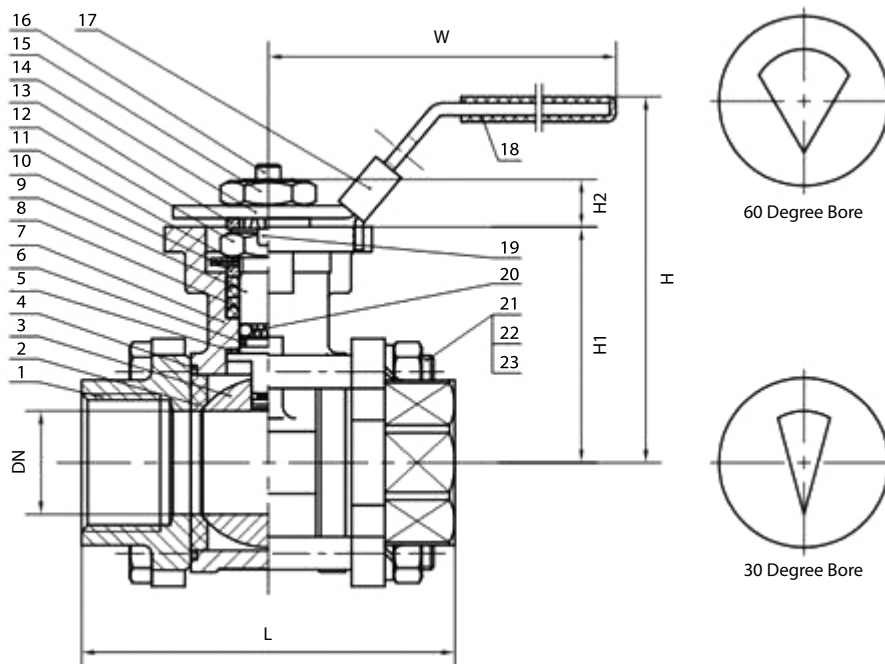
PRODUCT RANGE:

Model	Size (BSP)	Size (mm)	Media Pressure	Media Temperature	Material of Construction
BLV2B-L-RT	1/4	8	Vacuum to 70 BAR [10 BAR Steam]	-20°C to 180°C	3 piece, 316 SS Body RTFE seat (reinforced Teflon) 60 degree V port
BLV3B-L-RT	3/8	10			
BLV4BT60-L-RT	1/2	15			
BLV5BT60-L-RT	3/4	20			
BLV6BT60-L-RT	1	25			
BLV7BT60-L-RT	1 ¼	32			
BLV8BT60-L-RT	1 ½	40			
BLV9BT60-L-RT	2	50			
BLV10BT60-L-RT	2 ½	65			
BLV11BT60-L-RT	3	80			
BLV12BT60-L-RT	4	100			

Also available in 30 degree V port.

DIMENSIONS:

Size	DN	L	□E	H	H1	H2	W	ISO5211	Torque NM	Weight kg
1/4"	8	60	9	63	32	7	120	F03/F04	5	.58
3/8"	10	60	9	63	32	7	120	F03/F04	5	.58
1/2"	15	75	9	70	40	7	120	F03/F04	6	.62
3/4"	20	80	9	80	50	9	120	F03/F04	10	.8
1"	25	90	11	90	57	11	135	F04/F05	16	1.15
1 1/4"	32	110	11	95	61	11	150	F04/F05	24	2.5
1 1/2"	40	120	14	105	76	14	185	F05/F07	32	2.98
2"	50	140	14	112	84	14	185	F05/F07	50	3.3
2 1/2"	65	185	17	174	100	16	248	F07/F10	75	6.9
3"	80	205	17	185	111	16	248	F07/F10	95	6.78
4"	100	240	19	205	130	16.5	310	F07/F10	145	14.65



CONSTRUCTION:

NO.	Part	Material	NO.	Part	Material
1	Bonnet	ASTM A351 CF8M	13	Packing Gland	ASTM A276 304
2	Seat	15% Carbon PTFE	14	Handle	ASTM A276 201
3	Ball	ASTM A182 316	15	Nut	ASTM A276 304
4	Gasket	15% Carbon PTFE	16	Stop Pin	ASTM A276 201
5	Stem Gasket	PTFE	17	Handle Lock	ASTM A276 201
6	O-Ring	Viton	18	Handle Sleeve	Plastic
7	Body	ASTM A351 CF8M	19	Thrust Washer	ASTM A276 201
8	Packing	15% Carbon PTFE	20	Anti Static Device	ASTM A276 304
9	Stem	ASTM A182 316	21	Bolt	ASTM A193-B8
10	Packing Gland	ASTM A276 304	22	Spring Washer	ASTM A193-B8
11	Butterfly Spring	PH15-7Mo	23	Nut	ASTM A194-B8M
12	Stem Nut	ASTM A276 304			