



316 SS Scr BSP

## ACTUATED BALL VALVES FULL BORE

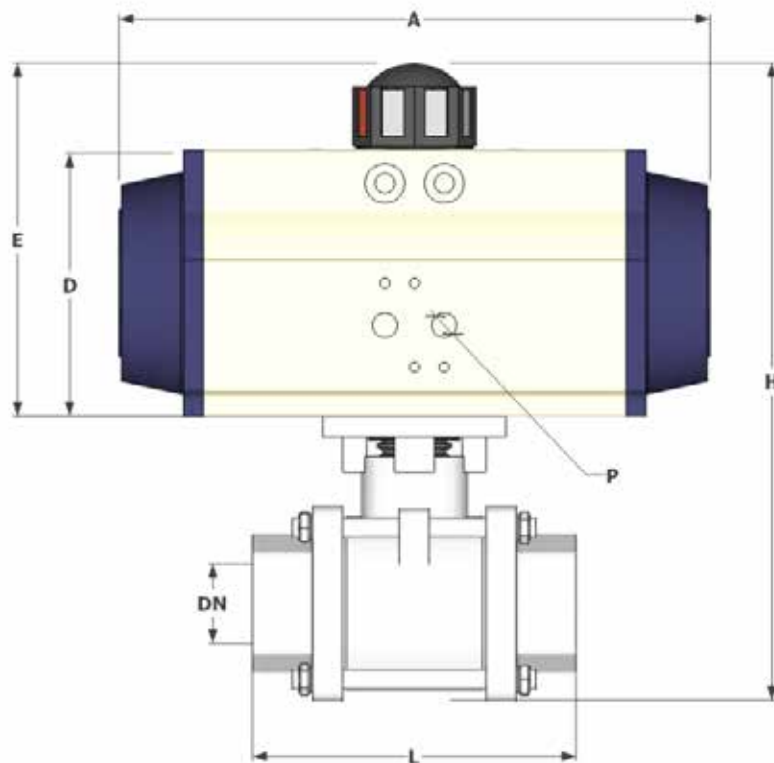
Item code: BV3-ACT-SUP1

Range of Double Acting Air, Spring Return Air or Electric Actuated Ball Valves.

- High performance 3 piece stainless steel ball valve.
- Pneumatically actuated, double acting.
- 15mm to 100mm bore fitted with high temperature, carbon filled PTFE seats.
- Body connections either threaded (standard), butt weld, socket weld or flanged.
- Teflon - Has a wide range of chemical compatability (consult factory).
- Typical applications include water treatment, chemical, marine, petrochemical and steam service.
- Media Pressure - 70 Bar W.O.G. - Vaccum - 10 Bar Steam using RT Seat.
- Media Temperature - -20deg C to 180 deg C.
- Actuator Air Pressure - 6-8 Bar.
- Materials of Construction.
  - Body - 3 piece 316 SS
  - Seats - Filled PTFE
  - Threads - BSP Female Scr
- Optional End Connections
  - Flanges
  - Butt weld
  - Socket weld
  - NPT Threads

### DOUBLE ACTING PNEUMATIC (AIR TO OPEN AND CLOSE) – SPECIFICATIONS:

Model	Size BSP	Orifice (mm)	Actuator	Media Pressure	Media Temperature	Actuator Pressure
BLS2B-DA-RT	1/4	8	DA52	-1 to 70 BAR (10 BAR Steam)	-20°C to 180°C	6 to 8 Bar
BLS3B-DA-RT	3/8	10	DA52			
BLS4B-DA-RT	1/2	15	DA52			
BLS5B-DA-RT	3/4	20	DA52			
BLS6B-DA-RT	1	25	DA52			
BLS7B-DA-RT	1 ¼	32	DA63			
BLS8B-DA-RT	1 ½	40	DA63			
BLS9B-DA-RT	2	50	DA75			
BLS10B-DA-RT	2 ½	65	DA85			
BLS11B-DA-RT	3	80	DA100			
BLS12B-DA-RT	4	100	DA115			



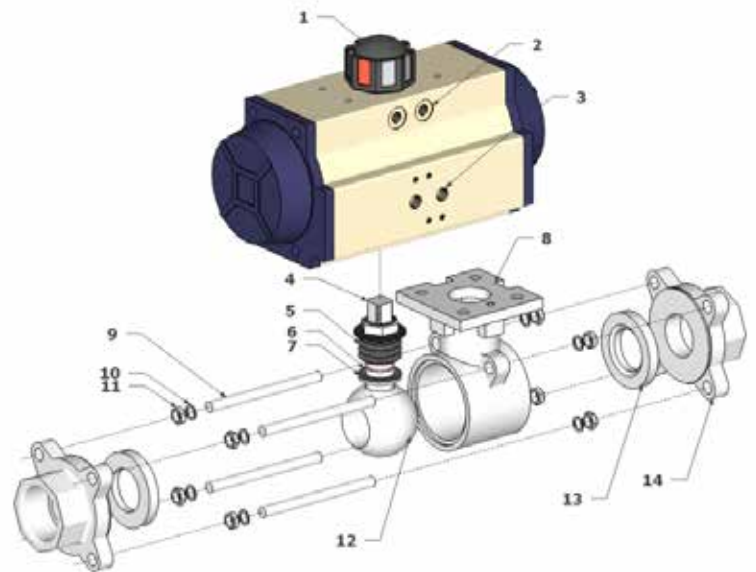
## DOUBLE ACTING PNEUMATIC – DIMENSIONS (mm):

Model	Orifice (mm) DN	Actuator	A	E	D	H	L	P
BLS2B-DA-RT	8	DA52	139	89	69	141.3	60	1/8"
BLS3B-DA-RT	10	DA52	139	89	69	141.3	60	1/8"
BLS4B-DA-RT	15	DA52	139	89	69	154.3	73.5	1/8"
BLS5B-DA-RT	20	DA52	139	89	69	166.8	80	1/8"
BLS6B-DA-RT	25	DA52	139	89	69	175.9	90	1/8"
BLS7B-DA-RT	32	DA63	162	100	80	197.7	110	1/8"
BLS8B-DA-RT	40	DA63	162	100	80	218	120	1/8"
BLS9B-DA-RT	50	DA75	207	117	97	249.6	140	1/8"
BLS10B-DA-RT	65	DA85	237	128	108	290	185	1/8"
BLS11B-DA-RT	80	DA100	271	141	121	342.8	206	1/4"
BLS12B-DA-RT	100	DA115	328	171	141	400	240	1/4"



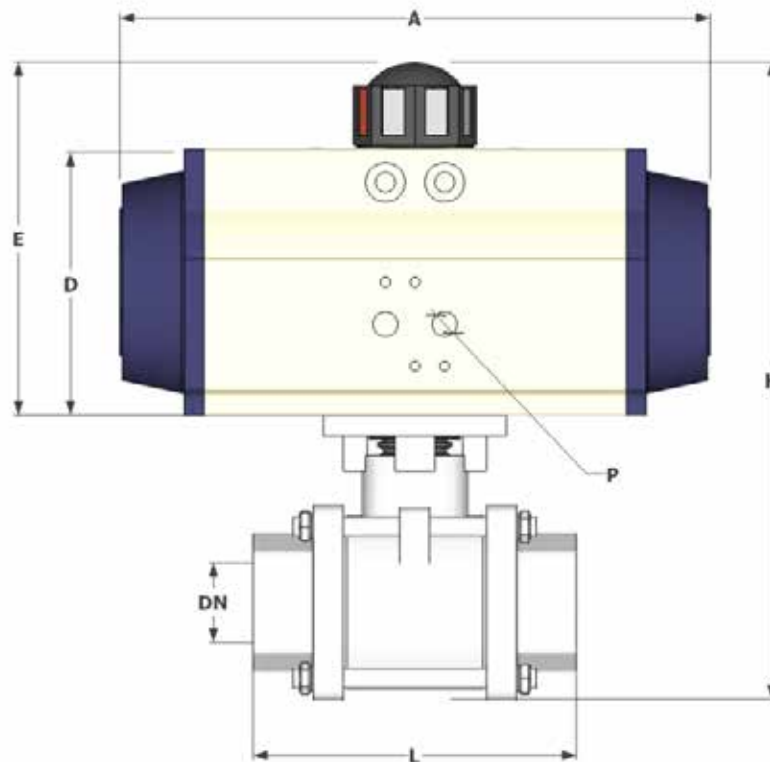
## CONSTRUCTION:

Item	Article	Material
1	Visual Indicator	UV Stabilised Thermoplastic
2	Adjustable Stops	Stainless Steel
3	Supply Ports	Threaded & Namur Interface
4	Drive	316 Stainless Steel
5	Chevron Seals	Reinforced Teflon
6	Backing O-ring	Viton
7	Thrust Washer	Reinforced Teflon
8	ISO Mounting Pad	316 Stainless Steel
9	Tie Rods	316 Stainless Steel
10	Washer	316 Stainless Steel
11	Nut	316 Stainless Steel
12	Ball	Polished 316 Stainless Steel
13	Seats	Reinforced Teflon
14	Body	316 Stainless Steel



## SPRING RETURN PNEUMATIC (AIR TO OPEN & SPRING TO CLOSE) - SPECIFICATIONS:

Model	Size BSP	Orifice (mm)	Actuator	Media Pressure	Media Temperature	Actuator Pressure
BLS52B-SR-RT	1/4	8	SR52	-1 to 70 BAR (10 BAR Steam)	-20°C to 180°C	6 to 8 Bar
BLS53B-SR-RT	3/8	10	SR52			
BLS54B-SR-RT	1/2	15	SR52			
BLS55B-SR-RT	3/4	20	SR52			
BLS56B-SR-RT	1	25	SR63			
BLS57B-SR-RT	1 ¼	32	SR75			
BLS58B-SR-RT	1 ½	40	SR85			
BLS59B-SR-RT	2	50	SR85			
BLS10B-SR-RT	2 ½	65	SR100			
BLS11B-SR-RT	3	80	SR115			
BLS12B-SR-RT	4	100	SR125			



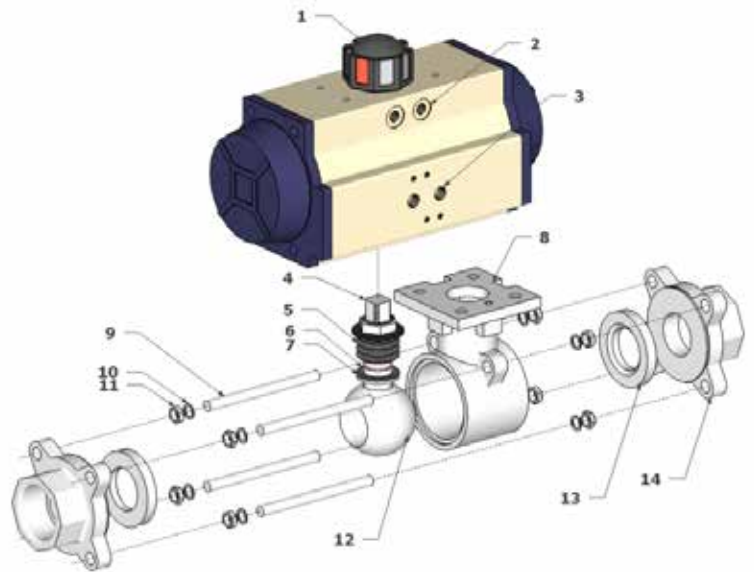
## SPRING RETURN PNEUMATIC (AIR TO OPEN & SPRING TO CLOSE) – DIMENSIONS (mm):

Model	Orifice (mm) DN	Actuator	A	E	D	H	L	P
BLS52B-SR-RT	8	SR52	139	89	69	141.3	60	1/8"
BLS53B-SR-RT	10	SR52	139	89	69	141.3	60	1/8"
BLS54B-SR-RT	15	SR52	139	89	69	154.3	73.5	1/8"
BLS55B-SR-RT	20	SR52	139	89	69	166.8	80	1/8"
BLS56B-SR-RT	25	SR63	162	100	80	186.9	90	1/8"
BLS57B-SR-RT	32	SR75	207	117	97	214.7	110	1/8"
BLS58B-SR-RT	40	SR85	237	128	108	246	120	1/8"
BLS59B-SR-RT	50	SR85	237	128	108	260.6	140	1/8"
BLS510B-SR-RT	65	SR100	271	141	121	303	185	1/8"
BLS511B-SR-RT	80	SR115	328	171	141	372.8	206	1/4"
BLS512B-SR-RT	100	SR125	366	183	153	412	240	1/4"



## CONSTRUCTION:

Item	Article	Material
1	Visual Indicator	UV Stabilised Thermoplastic
2	Adjustable Stops	Stainless Steel
3	Supply Ports	Threaded & Namur Interface
4	Drive	316 Stainless Steel
5	Chevron Seals	Reinforced Teflon
6	Backing O-ring	Viton
7	Thrust Washer	Reinforced Teflon
8	ISO Mounting Pad	316 Stainless Steel
9	Tie Rods	316 Stainless Steel
10	Washer	316 Stainless Steel
11	Nut	316 Stainless Steel
12	Ball	Polished 316 Stainless Steel
13	Seats	Reinforced Teflon
14	Body	316 Stainless Steel



## ELECTRICALLY ACTUATED (ON/OFF AND MODULATING) - SPECIFICATIONS:

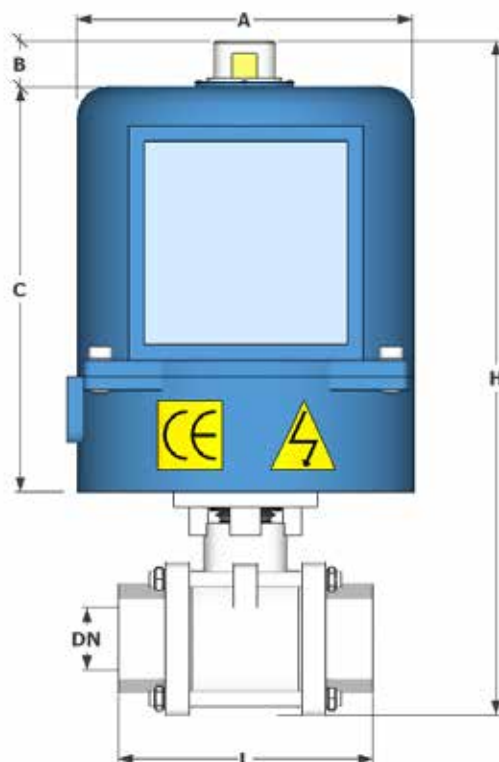
Model	Size BSP	Orifice (mm) DN	Actuator	Media Pressure	Media Temperature
BLS2B-E*-RT	1/4	8	OM-1	-1 to 70 BAR (10 BAR Steam)	-20°C to 180°C
BLS3B-E*-RT	3/8	10	OM-1		
BLS4B-E*-RT	1/2	15	OM-1		
BLS5B-E*-RT	3/4	20	OM-1		
BLS6B-E*-RT	1	25	OM-1		
BLS7B-E*-RT	1 ¼	32	OM-1		
BLS8B-E*-RT	1 ½	40	OM-A		
BLS9B-E*-RT	2	50	OM-A		
BLS10B-E*-RT	2 ½	65	OM-2		

\* Voltages available; 12vDC, 24vDC, 24vAC, 110vAC, 240vAC, 415vAC.



## ELECTRICALLY ACTUATED (ON/OFF AND MODULATING) – DIMENSIONS (mm):

Model	Orifice (mm) DN	Actuator	A	B	C	H	L
BLS2B-E*-RT	8	OM-1	108	17	138	207.3	60
BLS3B-E*-RT	10	OM-1	108	17	138	207.3	60
BLS4B-E*-RT	15	OM-1	108	17	138	220.3	73.5
BLS5B-E*-RT	20	OM-1	108	17	138	232.8	80
BLS6B-E*-RT	25	OM-1	108	17	138	232.8	90
BLS7B-E*-RT	32	OM-1	108	17	138	252.7	110
BLS8B-E*-RT	40	OM-A	108	17	183	318	120
BLS9B-E*-RT	50	OM-A	108	17	183	332.6	140
BLS10B-E*-RT	65	OM-2	200	24	266	452	185
BLS11B-E*-RT	80	OM-3	200	24	266	491.8	206
BLS12B-E*-RT	100	OM-4	234	24	291	544	240





## ELECTRICALLY ACTUATED (ON/OFF AND MODULATING) – CONSTRUCTION:

Item	Article	Material
1	Visual Indicator	UV Stabilised Thermoplastic
2	IP67 Actuator Housing	Powder Coated Aluminium
3	Housing Fasteners	Stainless Steel
4	Conduit Entry	Threaded
5	Drive	316 Stainless Steel
6	Chevron Seals	Reinforced Teflon
7	Backing O-ring	Viton
8	Backing O-ring	Reinforced Teflon
9	ISO Mounting Pad	316 Stainless Steel
10	Tie Rods	316 Stainless Steel
11	Washer	316 Stainless Steel
12	Nut	316 Stainless Steel
13	Ball	Polished 316 Stainless Steel
14	Seats	Reinforced Teflon
15	Body	316 Stainless Steel

