



316 SS

ACTUATED BALL VALVES 2 PIECE FIRE SAFE FULL BORE FLANGED 150#

Item code: BVSS150#-ACT-SUP1

Two piece two way ANSI 150 lb flanged fire safe approved ball valve, double acting pneumatic operation.

- 316 Stainless Steel body, Graphite Filled PTFE seats, FKM backing ring, live loaded packing and anti static device.
- Anodized aluminium actuator with visual indicator and namur interface.
- Ball valve designed & manufactured to ANSI B16.34, face to face complies with ANSI B16.10, flange ends comply with ANSI B16.5 and testing and inspection according to API598.
- Firesafe Approved API607 Sixth Edition, Cert. No 218781. Direct coupled anodised aluminium pneumatic double acting actuator with visual indicator. Media temp -20°C to 180°C.

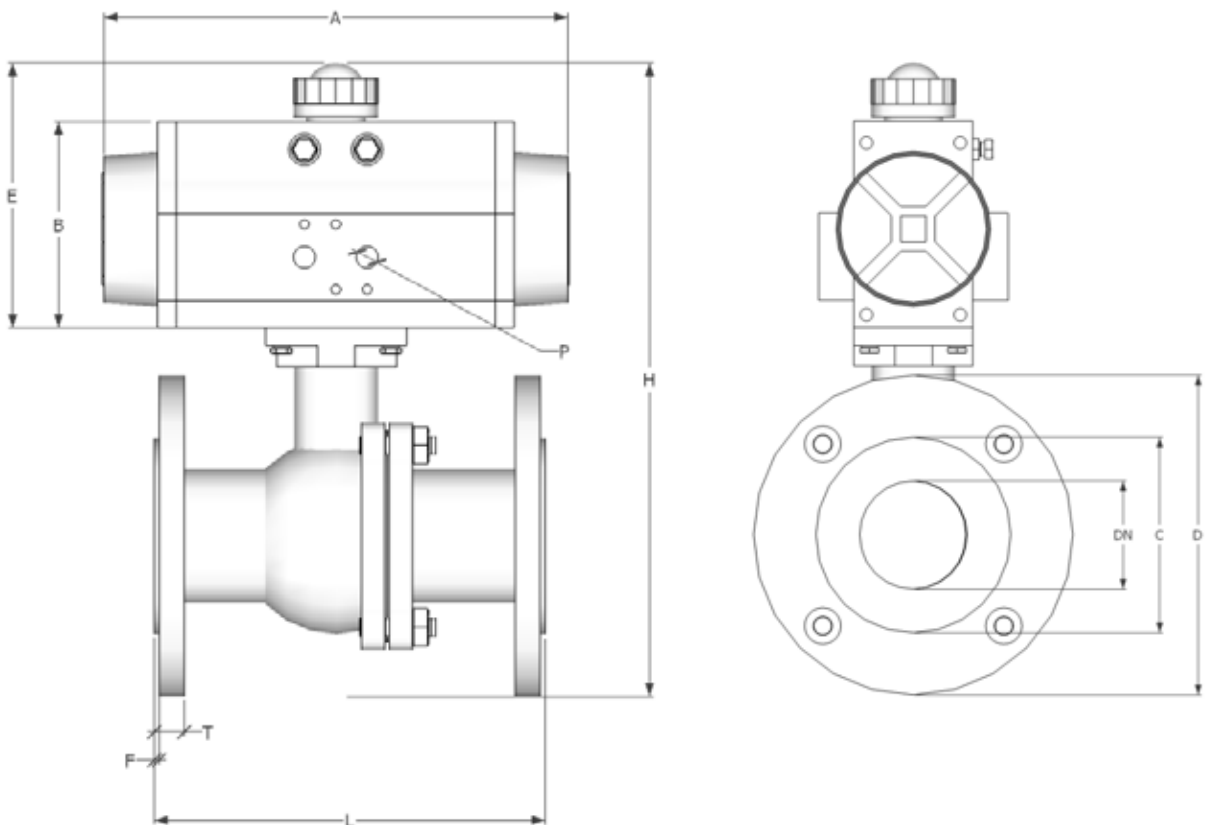
SPECIFICATIONS:

Model	Size (mm) DN	Actuator	Media Pressure	Media Temperature	Actuator Pressure
BLSF4FA-DA-RT	15	DA50	Vacuum to 20 BAR (10 BAR Steam)	-20°C to 180°C	6 to 8 Bar
BLSF5FA-DA-RT	20	DA50			
BLSF6FA-DA-RT	25	DA50			
BLSF7FA-DA-RT	32	DA63			
BLSF8FA-DA-RT	40	DA63			
BLSF9FA-DA-RT	50	DA75			
BLSF10FA-DA-RT	63	DA88			
BLSF11FA-DA-RT	80	DA100			
BLSF12FA-DA-RT	100	DA115			
BLSF13FA-DA-RT	125	DA145			
BLSF14FA-DA-RT	150	DA160			
BLSF15FA-DA-RT	200	DA180			
BLSF16FA-DA-RT	250	DA200			
BLSF17FA-DA-RT	300	DA240			



DIMENSIONS (mm):

DN (mm)	A	B	C	D	E	F	H	L	T	Actuator	P
15	139	69	60.5	89	89	1.6	185	108	11.2	DA50	1/8"
20	139	69	70	98	89	1.6	197	117	11.2	DA50	1/8"
25	139	69	79.5	108	89	1.6	207	127	12	DA50	1/8"
32	162	80	89	117	100	1.6	244	140	12.7	DA63	1/8"
40	162	80	98.5	127	100	1.6	264	165	14.3	DA63	1/8"
50	207	97	120.5	152	117	1.6	289	178	15.9	DA75	1/8"
65	237	108	139.5	178	128	1.6	328	190	17.5	DA88	1/8"
80	271	121	152.5	190.5	141	1.6	363	203	19.1	DA100	1/4"
100	328	141	190.5	229	171	1.6	447	229	22	DA115	1/4"
125	428	176	216	254	206	1.6	565	356	23.9	DA140	1/4"
150	430	192	241.5	279	222	1.6	623.5	394	25.4	DA160	1/4"
200	482	222	298.5	343	252	1.6	728.5	457	28.6	DA180	1/4"
250	532	244	362	406	274	1.6	757	533	30.2	DA200	1/4"
300	662	288	432	483	318	1.6	879.5	610	31.8	DA240	





CONSTRUCTION:

Item	Article	Material
1	Visual Indicator	UV Stabilised Thermoplastic
2	Adjustable Stops	316 Stainless Steel
3	Double Acting Pneumatic Actuator	Anodized Aluminium
4	Pressure Ports / Namur Interface	Anodized Aluminium
5	Chevron Seals	Reinforced Teflon
6	Backing O-ring	Viton
7	Thrust Washer	Reinforced Teflon
8	Ball	Polished 316 Stainless Steel
9	Seats	Reinforced Teflon
10	Mounting Pad	316 Stainless Steel
11	Body	316 Stainless Steel
12	Flange	316 Stainless Steel

Valve Details

- Pressure Rating: 20 BAR W.O.G - Vacuum - 10 BAR Steam using RL Seat Material.
- Temperature Range: -20degC to 180degC.
- Body - 2 piece 316 SS - ASTM A351 - CF8M.
- Seat: PTFE.
- Flange: ANSI B16.5 class 150.
- Face to face: ANSI B16.10.
- Blow-out proof stem.

Electric Acutator Details

- Thermal overload protection.
- Duty Rate 30% maximum.
- Cycle times will vary with actuator size and voltage.
- Max. ambient temp. +5°C to +60°C.
- Plastic and aluminium housing to IP67.
- Manual override on most models.
- For actuator details see 'OM' data sheet.
- IP65 protection when mounted with drive shaft downwards or horizontal.
- Never mount actuator with drive uppermost.
- Approved against radio noise transmission.

Pneumatic Actuator Details

- Double Acting Pneumatic (Air to Open and Close).
- Spring Return Pneumatic (Air to Open and Spring to Close).

