



316 SS 2 PIECE FIRE SAFE FULL BORE FLANGED 150# MANUAL

Item code: BVSS150#-SUP1

Great for fuel applications, pipelines, water treatment and general industry.

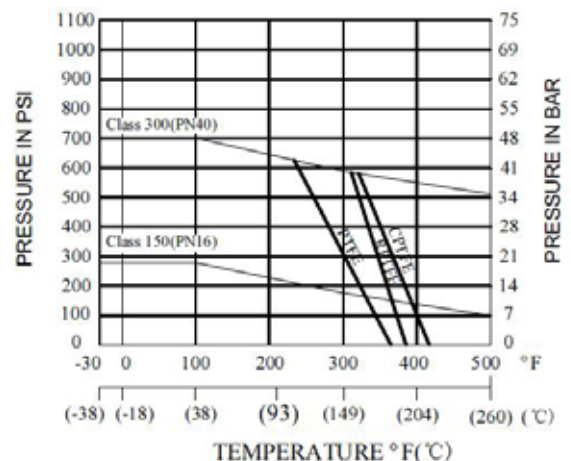
FEATURES:

- Comes in lever (lockable) or gear box operation depending upon size.
- High quality 316 Stainless Steel ANSI 150 flanged 2 way ball valve.
- Features reinforced Teflon seats (RTFE) allowing it to handle media up to 180°C.
- Design & Manufacture to ANSI B16.34.
- Face to Face comply with ANSI B16.10.
- Flange Ends comply with ANSI B16.5.
- Inspection & Testing in accordance with API598.

PRODUCT RANGE:

Model	Size (mm)	Media Pressure	Media Temperature
BLS4FA-L-RT	15	Vacuum to 20 BAR (10 BAR Steam)	-20°C to 180°C
BLS5FA-L-RT	20		
BLS6FA-L-RT	25		
BLS7FA-L-RT	32		
BLS8FA-L-RT	40		
BLS9FA-L-RT	50		
BLS10FA-L-RT	63		
BLS11FA-L-RT	80		
BLS12FA-L-RT	100		
BLS13FA-L-RT	125		
BLS14FA-L-RT	150		
BLS15FA-L-RT	200		
BLS16FA-L-RT	250		
BLS17FA-L-RT	300		

PRESSURE-TEMPERATURE CHART



PETRO INDUSTRIAL

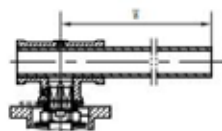


petroind.com

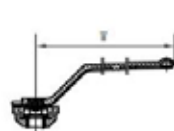


DIMENSIONS:

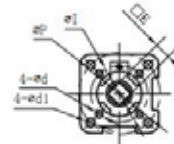
Size	DN	D	C	G	T	□E	f	M-N	L	W	H	H1	H2	ISO5211
1/2"	15	89	60.5	35	11.2	9	1.6	4-16	108	120	76	48.5	8	F03/F04
3/4"	20	98	70	43	11.2	9	1.6	4-16	117	120	81	53.5	8	F03/F04
1"	25	108	79.5	51	12	11	1.6	4-16	127	160	95	63.5	10	F04/F05
1 1/4"	32	117	89	64	12.7	11	1.6	4-16	140	160	106	73	10	F04/F05
1 1/2"	40	127	98.5	73	14.3	14	1.6	4-16	165	185	127	88	14	F05/F07
2"	50	152	120.5	92	15.9	14	1.6	4-19	178	185	134	95	14	F05/F07
2 1/2"	65	178	139.5	105	17.5	17	1.6	4-19	190	250	186	116	16	F07/F10
3"	80	190.5	152.5	127	19.1	17	1.6	4-19	203	250	202	132	16	F07/F10
4"	100	229	190.5	157	22	19	1.6	8-19	229	310	226	156	18	F07/F10
5"	125	254	216	186	23.9	22	1.6	8-22	356	500	271	190	23	F10/F12
6"	150	279	241.5	216	25.4	27	1.6	8-22	394	645	282	210	28	F10/F14
8"	200	343	298.5	270	28.6	36	1.6	8-22	457	850	322	250	36	F14/F16
10"	250	406	362	324	30.2	36	1.6	12-25	533	1200	415	280	36	F14/F16
12"	300	483	432	381	31.8	46	1.6	12-25	610	1600	498	320	46	F14/F16



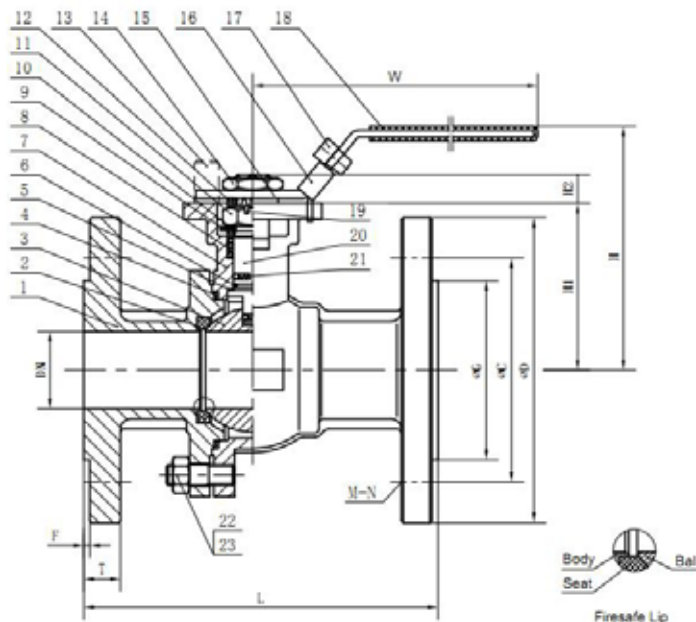
DN125~DN250



DN65~DN100



ISO 5211



PETRO Contact Information

AFRICA

South Africa

Factory 14 Bentonite Street
Alrode, Alberton, Johannesburg
South Africa
P: +27 (0)11 864 7758
F: +27 (0) 11 864 1649
E: sales@petroindustrial.co.za

UAE

Dubai

Office LB17330, Lobby Building 17
Jebel Ali Free Zone
PO Box 18602
Dubai, United Arab Emirates
P: +971 488 76688
F: +971 488 76932
E: salesuae@petroind.com

AUSTRALIA

Eastern Australia

Factory 2, 106 Potassium Street
PO Box 407
Narangba QLD 4504
P: 07 3204 9558
F: 07 3293 4852
E: sales@petroindustrial.com.au

Western Australia

173 Mulgul Road, Malaga WA 6090 AU
P: +61 (8) 6305 0855
E: saleswa@petroperth.com.au

PETRO INDUSTRIAL



petroind.com