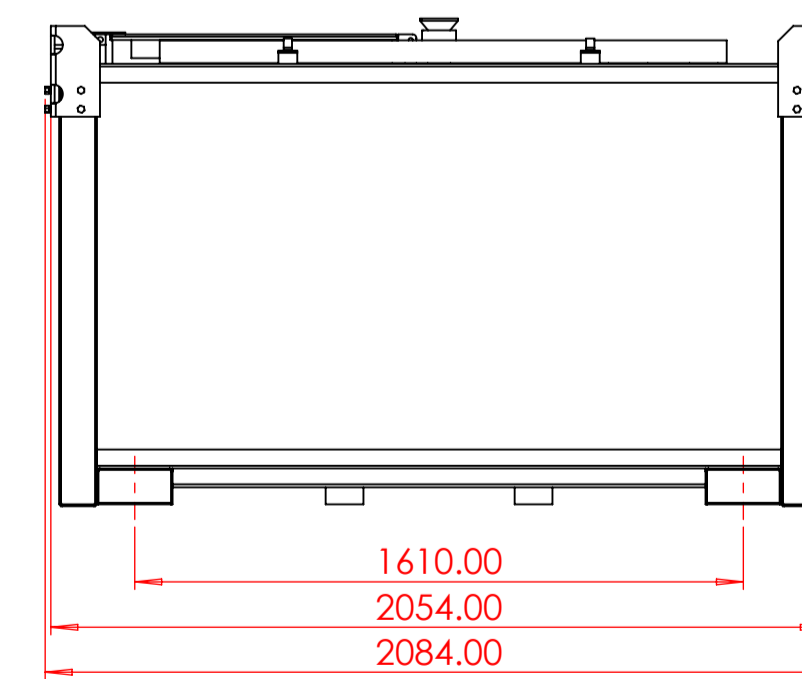
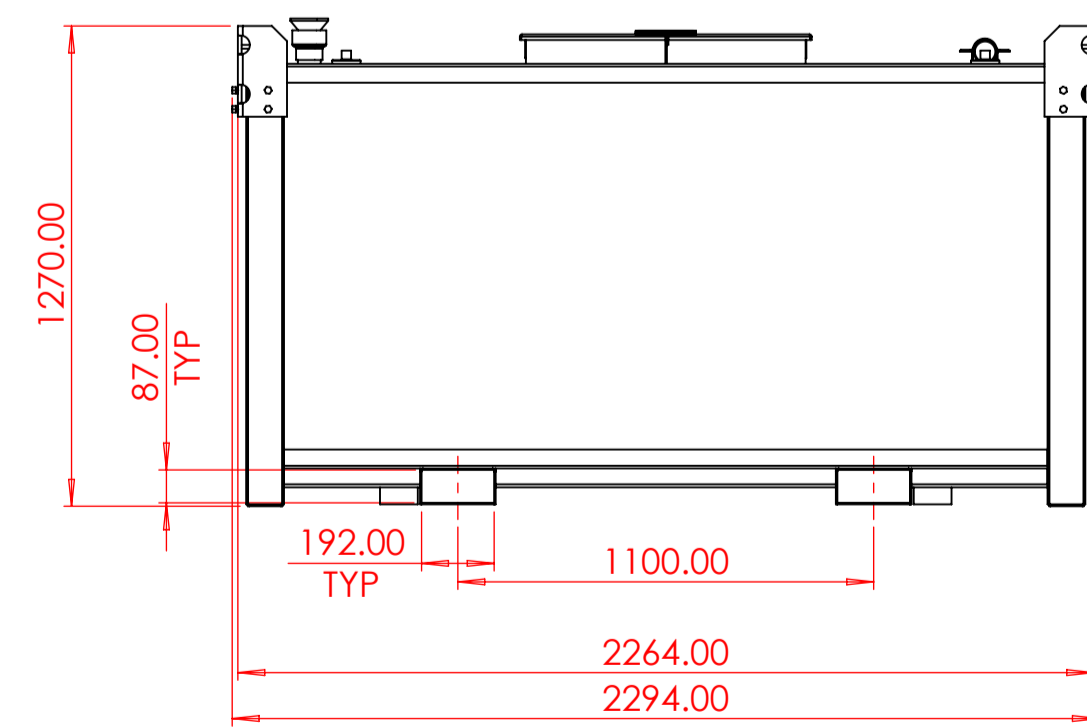
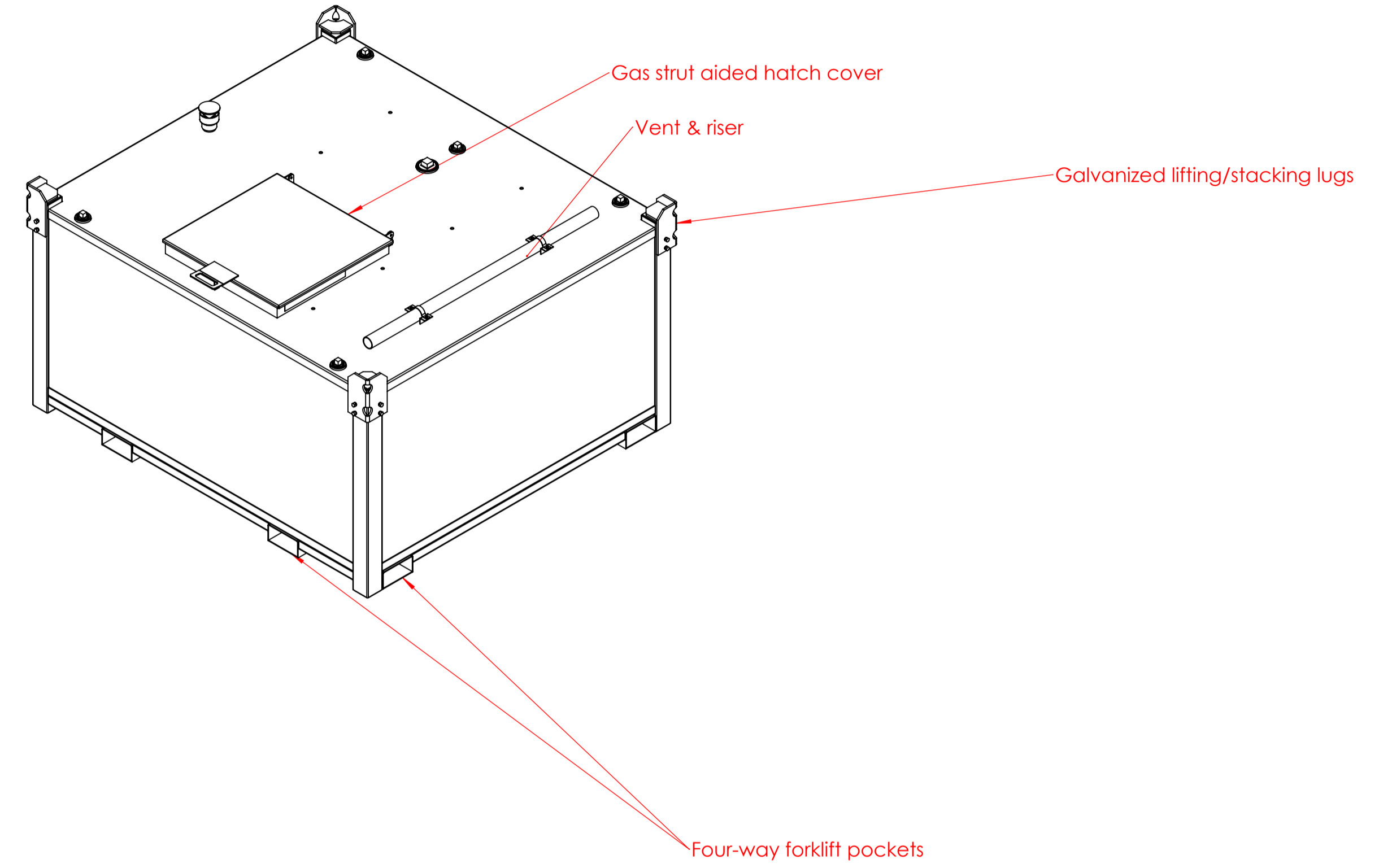
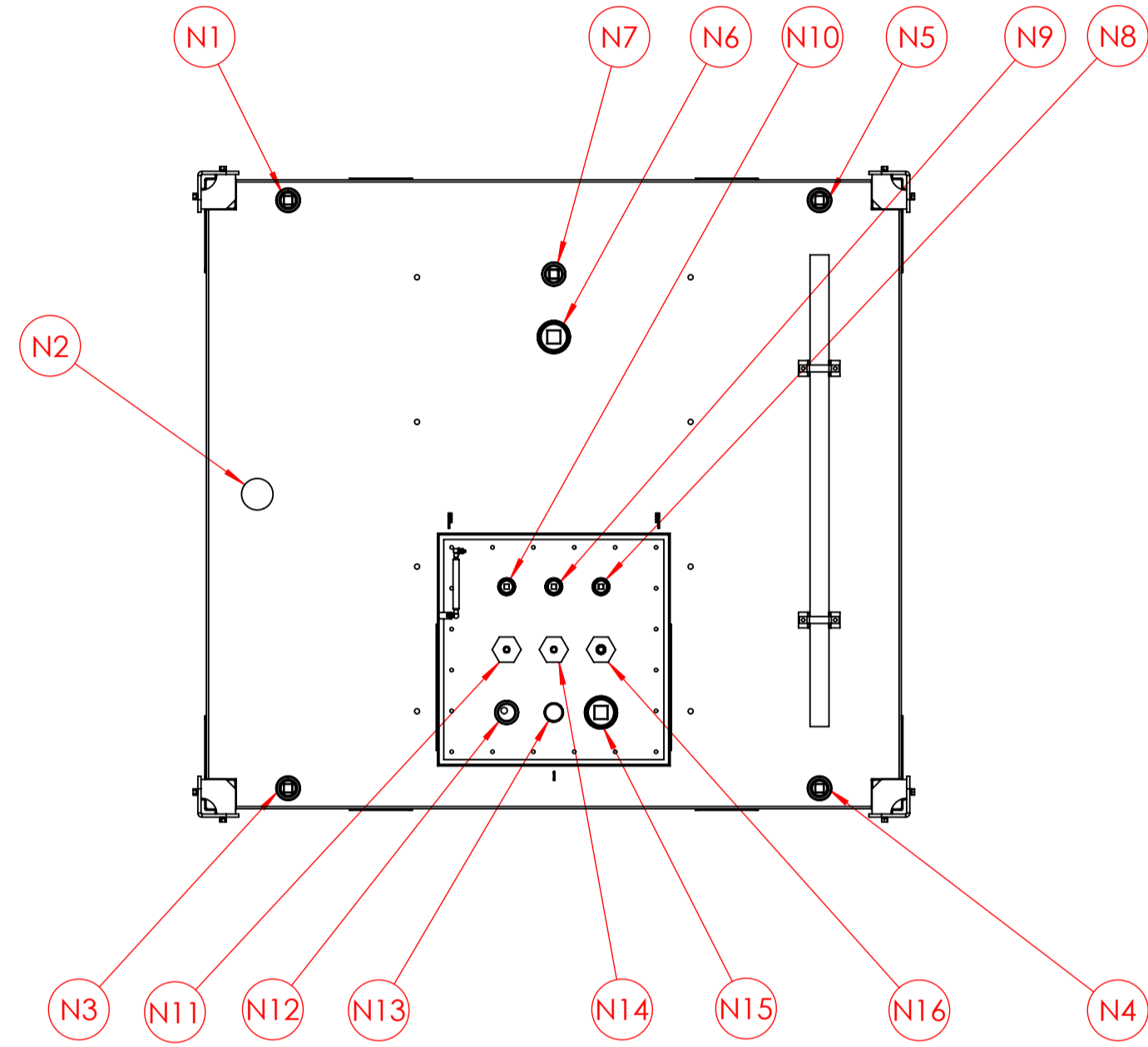


Nozzle Schedule		
Nozzle ID	Connection	Service
N1	2" BSP ISO4041 Socket	Spare (c/w Stainless Steel plug)
N2	2" BSP ISO4041 Socket	Interstitial Vent
N3	2" BSP ISO4041 Socket	Spare (c/w Stainless Steel plug)
N4	2" BSP ISO4041 Socket	Spare (c/w Stainless Steel plug)
N5	2" BSP ISO4041 Socket	Spare (c/w Stainless Steel plug)
N6	3" BSP ISO4041 Socket	Spare (c/w Stainless Steel plug)
N7	2" BSP ISO4041 Socket	Primary Vent (Default location)
N8	1 1/2" BSP ISO4041 Socket	Return to tank (c/w Stainless Steel plug)
N9	1 1/2" BSP ISO4041 Socket	Return to tank (c/w Stainless Steel plug)
N10	1 1/2" BSP ISO4041 Socket	Return to tank (c/w Stainless Steel plug)
N11	2" BSP ISO4041 Socket & 2"-1/2" Reducing Bush	1/2" Suction with foot valve (c/w Stainless Steel plug)
N12	2" BSP ISO4041 Socket	2" Primary fill point (c/w Stainless Steel cap)
N13	2" Dip tube with BSP thread (top)	Dipstick with striker plate (c/w Stainless Steel cap)
N14	2" BSP ISO4041 Socket & 2"-1/2" Reducing Bush	1/2" Suction with foot valve (c/w Stainless Steel plug)
N15	3" BSP ISO4041 Socket	Spare (c/w Stainless Steel plug)
N16	2" BSP ISO4041 Socket & 2"-1" Reducing Bush	1" Suction with foot valve (c/w Stainless Steel plug)



Tank	
TANK CONTENTS	Diesel
DESIGNED TO	AS1940 / AS1692
BUILT TO	AS1657 / AS1554.1
Plate Thickness, Material	4/4 mm, Q235B
Pressure Test	35 KPA
External size	2294x2084x1270mm
Internal size	2186x1976x1058mm
GROSS VOLUME	4,500 L
SAFE FILL LEVEL	4,000 L
N.D.T.	MPT/DPT
TOTAL MASS	1337.71 KG

PETRO INDUSTRIAL Factory 2, 106 Potassium street
 PO Box 407
 Narangba QLD 4504
 p: 07 3204 9558
 e: sales@petroindustrial.com.au

COPYRIGHT NOTICE
 This drawing remains property of Petro Industrial Pty Ltd and is not intended for distribution

THIRD ANGLE PROJECTION

DRAWN BY: IA	CHECK DRW: A1	DRAWING SIZE: A1
CLIENT:	PROJECT NO:	SCALE 1:20
PAGE: 1 OF 1	DRAWING NUMBER: PC4500-GA-Cover	REV. 04/11/19

REV. DATE	REVISION DESCRIPTION	CHKD	APPR	REV. DATE	REVISION DESCRIPTION	CHKD	APPR	REFERENCE DRAWING No.	REFERENCE DRAWINGS

All dimensions are in mm unless specified otherwise
 Drawn to AS1100.101-1992

MATERIAL: Plain Carbon Steel
 FINISH: RAL9003 Signal White
 PAGE: 1 OF 1

TITLE: PC4500 - Cover page