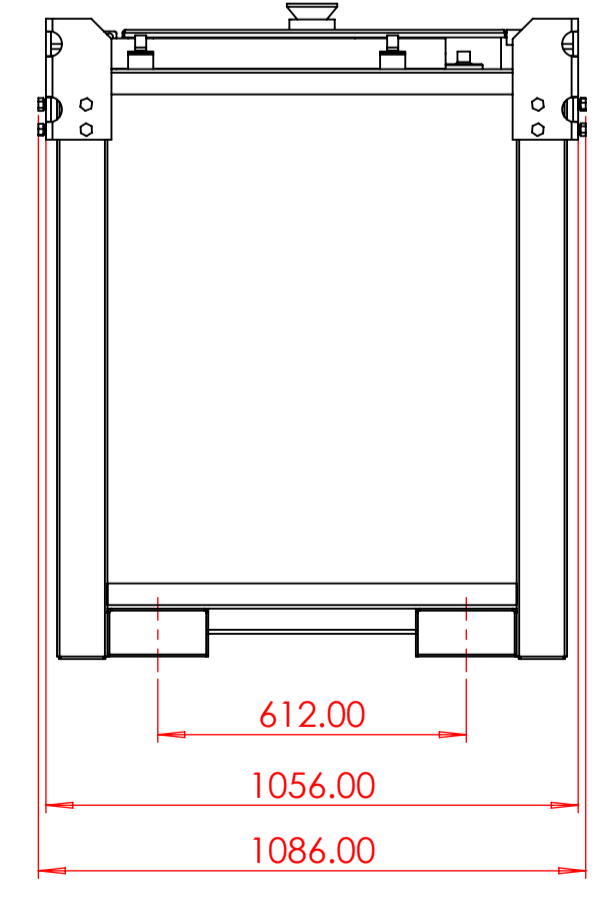
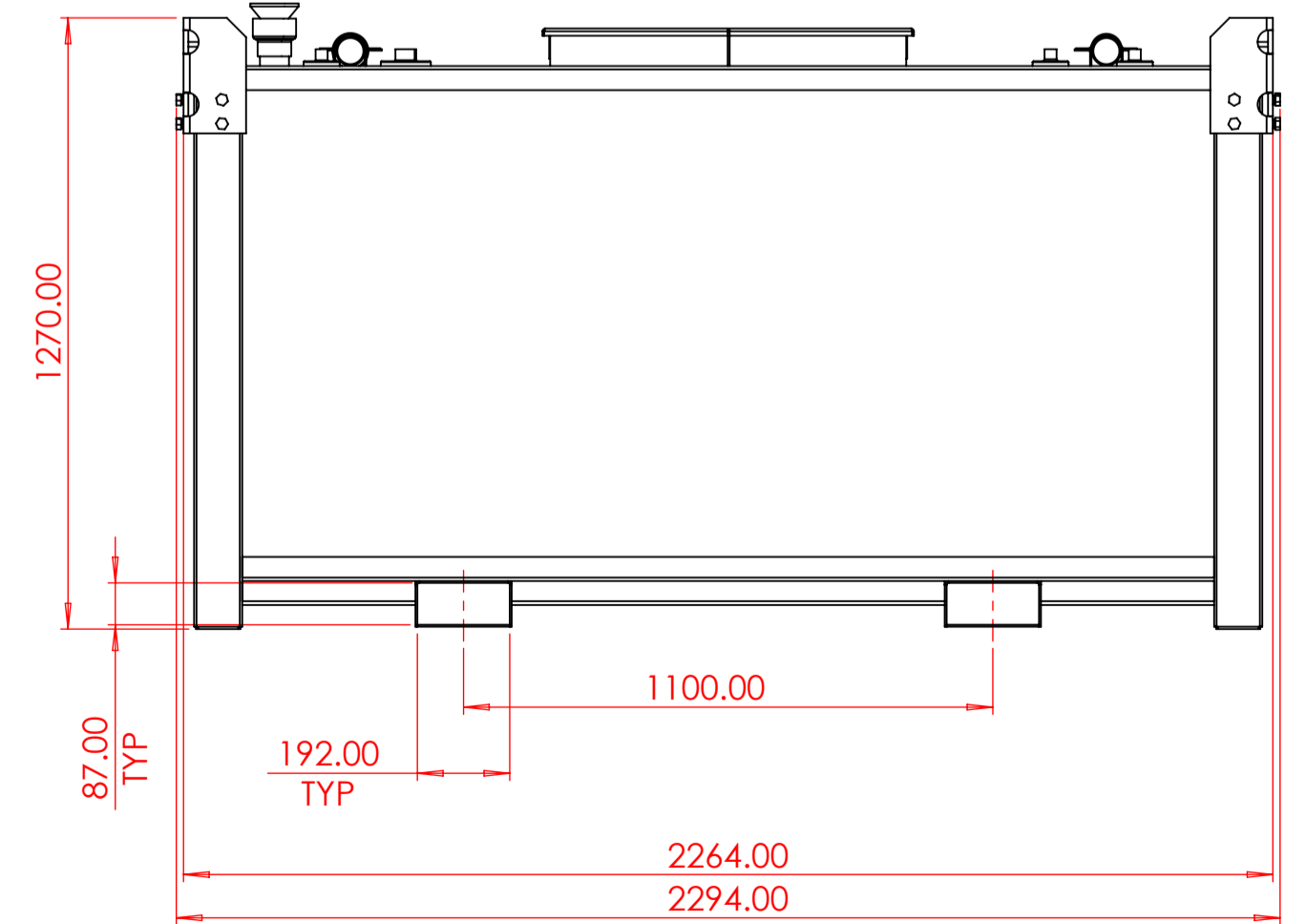
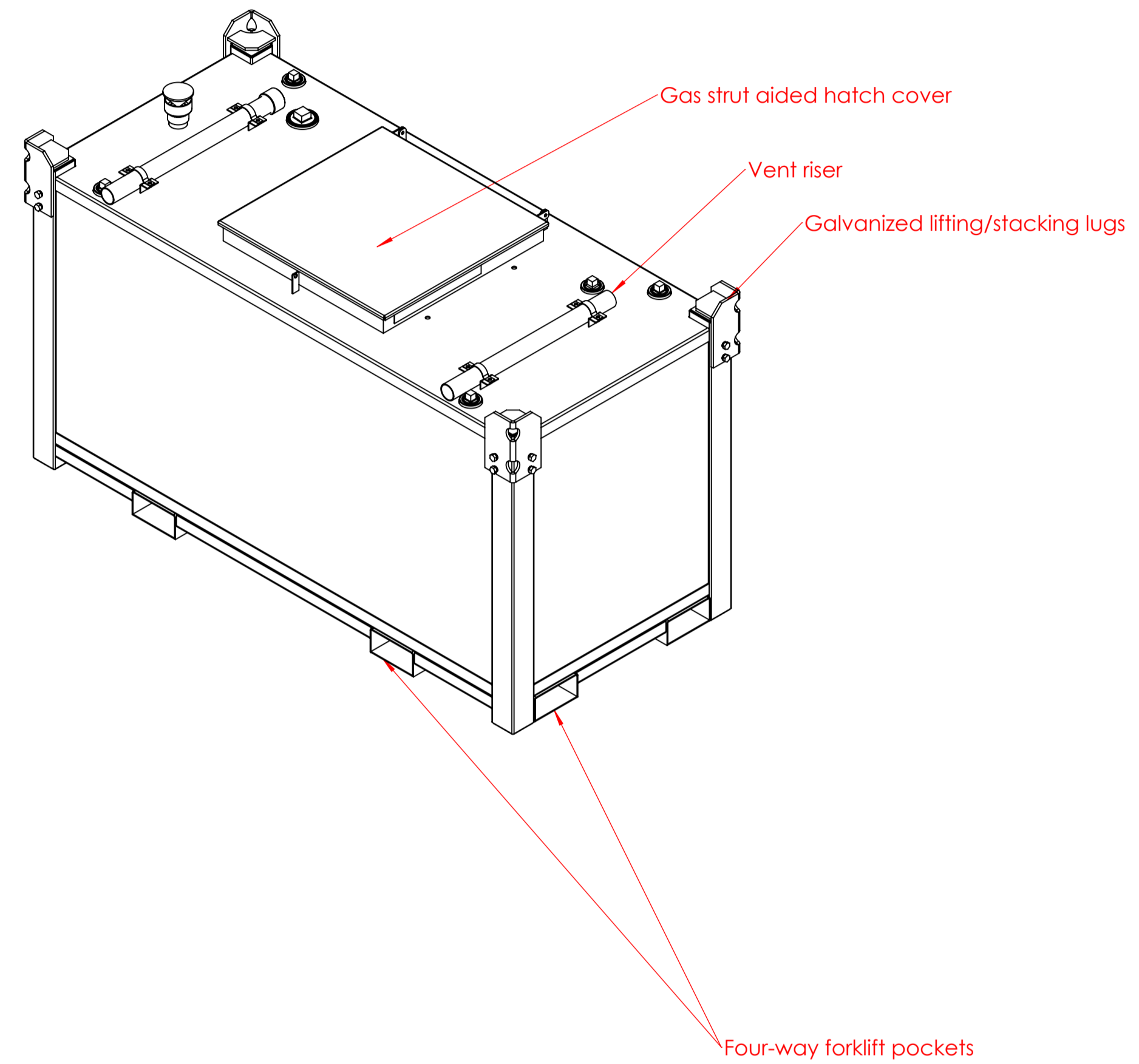
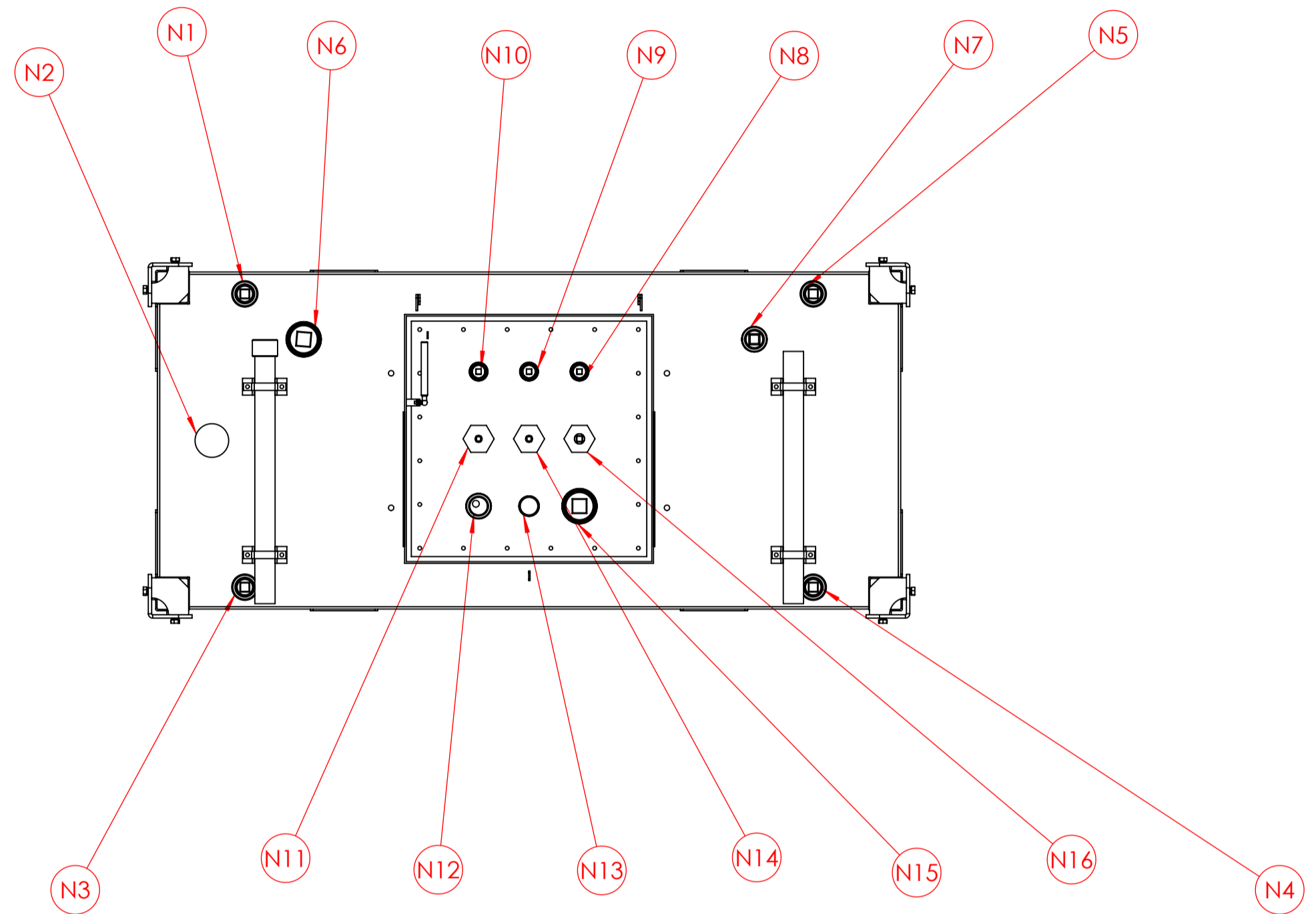


Nozzle Schedule		
Nozzle ID	Connection	Service
N1	2" BSP ISO4041 Socket	Spare (c/w Stainless Steel plug)
N2	2" BSP ISO4041 Socket	Interstitial Vent
N3	2" BSP ISO4041 Socket	Spare (c/w Stainless Steel plug)
N4	2" BSP ISO4041 Socket	Spare (c/w Stainless Steel plug)
N5	2" BSP ISO4041 Socket	Spare (c/w Stainless Steel plug)
N6	3" BSP ISO4041 Socket	Spare (c/w Stainless Steel plug)
N7	2" BSP ISO4041 Socket	Primary Vent (Default location)
N8	1 1/2" BSP ISO4041 Socket	Return to tank (c/w Stainless Steel plug)
N9	1 1/2" BSP ISO4041 Socket	Return to tank (c/w Stainless Steel plug)
N10	1 1/2" BSP ISO4041 Socket	Return to tank (c/w Stainless Steel plug)
N11	2" BSP ISO4041 Socket & 2"-1/2" Reducing Bush	1/2" Suction with foot valve (c/w Stainless Steel plug)
N12	2" BSP ISO4041 Socket	2" Primary fill point (c/w Stainless Steel cap)
N13	2" Dip tube with BSP thread (top)	Dipstick with striker plate (c/w Stainless Steel cap)
N14	2" BSP ISO4041 Socket & 2"-1/2" Reducing Bush	1/2" Suction with foot valve (c/w Stainless Steel plug)
N15	3" BSP ISO4041 Socket	Spare (c/w Stainless Steel plug)
N16	2" BSP ISO4041 Socket & 2"-1" Reducing Bush	1" Suction with foot valve (c/w Stainless Steel plug)



Tank	
TANK CONTENTS	Diesel
DESIGNED TO	AS1940 / AS1692
BUILT TO	AS1657 / AS1554.1
Plate Thickness, Material	4/4 mm, Q235B
Pressure Test	35 KPA
External size	2294x1086x1270mm
Internal size	2186x978x1058mm
GROSS VOLUME	2,250 L
SAFE FILL LEVEL	2,000 L
N.D.T.	MPT/DPT
TOTAL MASS	893.08 KG

PETRO INDUSTRIAL Factory 2, 106 Potassium street
 PO Box 407
 Narangba QLD 4504
 p: 07 3204 9558
 e: sales@petroindustrial.com.au

COPYRIGHT NOTICE
 This drawing remains property of Petro Industrial Pty Ltd and is not intended for distribution

REV. DATE	REVISION DESCRIPTION	CHKD	APPR	REV. DATE	REVISION DESCRIPTION	CHKD	APPR	REFERENCE DRAWING No.	REFERENCE DRAWINGS	All dimensions are in mm unless specified otherwise Drawn to AS1100.101-1992		TITLE: PC2250 - Cover page	THIRD ANGLE PROJECTION		
										MATERIAL: Plain Carbon Steel	DRAWN BY: IA	CHECK DRW: A1	DRAWING SIZE: A1		
										FINISH: RAL9003 Signal White	CLIENT:	PROJECT NO:	SCALE 1:15		
										PAGE: 1 OF 1		DRAWING NUMBER: PC2250-GA-Cover	REV. 05/12/19		