



## NON-CORRODING RESERVOIR BREATHER FILTER

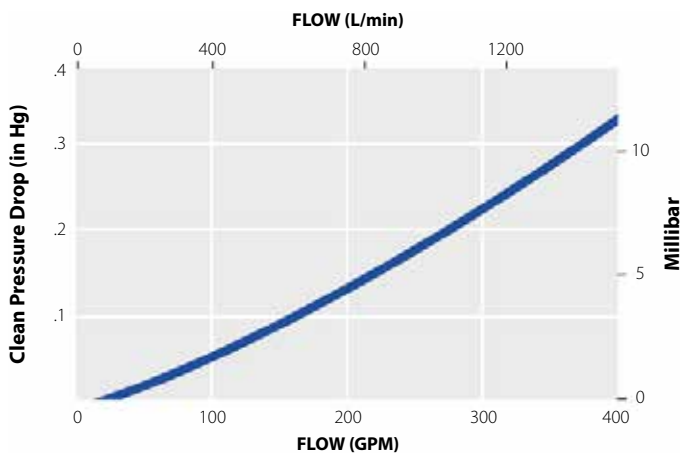
0293 Series

The Pall 0293 disposable air breather is used to prevent damaging airborne contamination from entering fluid system reservoirs.

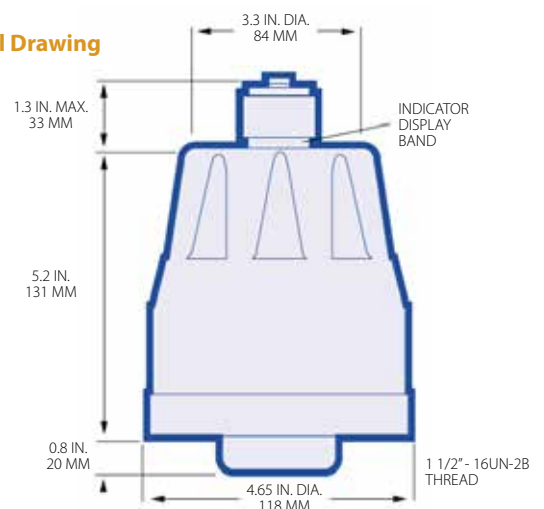
### SPECIFICATIONS:

Filtration Rating:	3 micrometers in air
Materials of Construction:	Cap and shroud – polyamide Filtration medium – oleophobic resin - bonded filter fibers
Method of Construction:	Epoxy resin potted
Vacuum Indicator Minimum Operating Pressure Setting:	1.1" Hg differential (37 bar)
Vacuum indicator is not a disposable unit. Remove prior to breather unit disposal.	
Temperature range:	-4 to + 160°F (-20°C to +70°C)
Filtration Medium Collapse Pressure:	15 psid (1 bar) minimum

**Clean Element Pressure Drop**



**Dimensional Drawing**

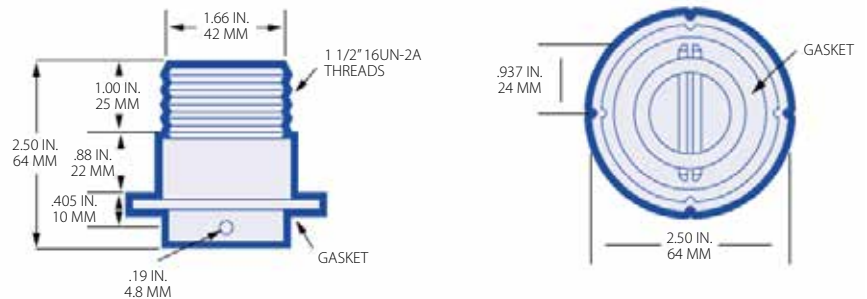




## AIR BREATHER FILTER ACCESSORIES:

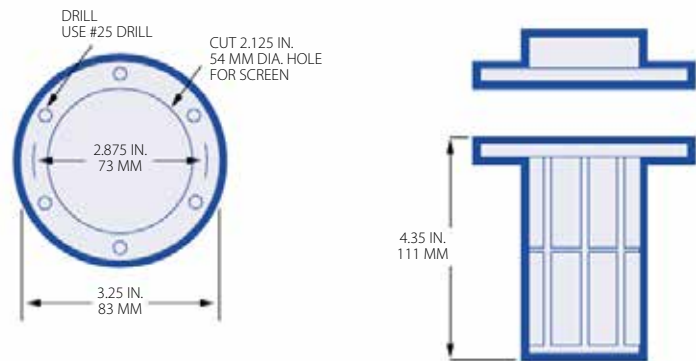
### Air Breather Filter Adapter

The air breather filter adapter HD7500-RFC is compatible with standard reservoir fill port cap mounting flanges with a 2.875" diameter bolt circle. To install, remove original filter breather cap, leaving the strainer in place, and install adapter and air breather filter.



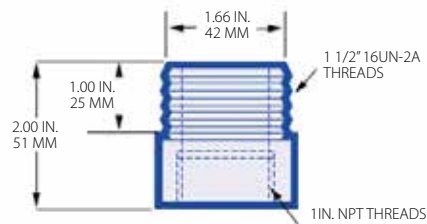
### Reservoir Fill Port Assembly

The reservoir fill port assembly HD7500-RFK is used for new installations. The mounting flange and nylon mesh screen attaches to the reservoir top with six (6) self-tapping 10-30 x 1/2" screws. Air breather filter adapter HD7500-RFC and air breather filter element HC0293SEE5 are then attached.



### Pipe Adapter

The pipe adapter AAS9500-BFH connects a Pall air breather filter to a 1" pipe mounted on the reservoir. Appropriate plumbing is completed by the user.



## ORDERING INFORMATION:

Product	Part Number
Air breather filter element	HC0293SEE5
Vacuum indicator	HC0293D004
Air breather filter adapter	HD7500-RFC
Reservoir fill port assembly	HD7500-RFK
Pipe adapter	AA9500-BFH