



Diesel Exhaust Fluid

MIS-FILLING DEVICE MAGNETIC ADAPTOR

Item code: DEF-F15165000-CATA

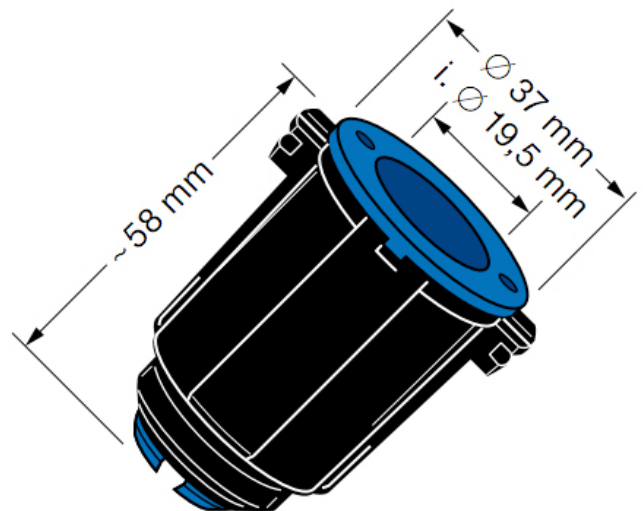
ELAFIX 40 is installed by the original equipment manufacturer into a modified vehicle filler neck (DN 40 or larger). Refuelling with the ZVA AdBlue nozzle is only possible in combination with the ELAFIX 40 magnet adapter. The fixed magnetic field within the filler neck opens the magnet switch in the spout, so misfuelling into Petrol or Diesel tanks is made impossible.

The filling of the AdBlue tank with fuel is also prevented, because Petrol and Diesel spouts do not fit into the ELAFIX 40 magnet adapter.

Materials: body of POM, capsulated ring magnet.

SHIPPING DATA

Weight (kg)	Product (mm)
0,65	37L x 37W x 58H



PETRO Contact Information

AFRICA

South Africa

Factory 14 Bentonite Street
Alrode, Alberton, Johannesburg
South Africa
P: +27 (0)11 864 7758
F: +27 (0) 11 864 1649
E: sales@petroindustrial.co.za

UAE

Dubai

Office LB17330, Lobby Building 17
Jebel Ali Free Zone
PO Box 18602
Dubai, United Arab Emirates
P: +971 488 76688
F: +971 488 76932
E: salesuae@petroind.com

AUSTRALIA

Eastern Australia

Factory 2, 106 Potassium Street
PO Box 407
Narangba QLD 4504
P: 07 3204 9558
F: 07 3293 4852
E: sales@petroindustrial.com.au

Western Australia

173 Mulgul Road, Malaga WA 6090 AU
P: +61 (8) 6305 0855
E: saleswa@petroperth.com.au

PETRO INDUSTRIAL



petroind.com