

01	20/08/15	move pipe upper SFL line and main hole	N.Pramote		
REV:	DATE:	REVISION:	DRAWN:	CHECKED:	APPROVED:

PETRO INDUSTRIAL

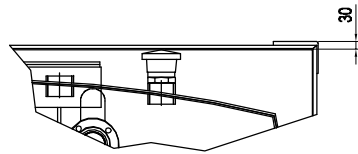
000%
00000000

CONFIDENTIAL

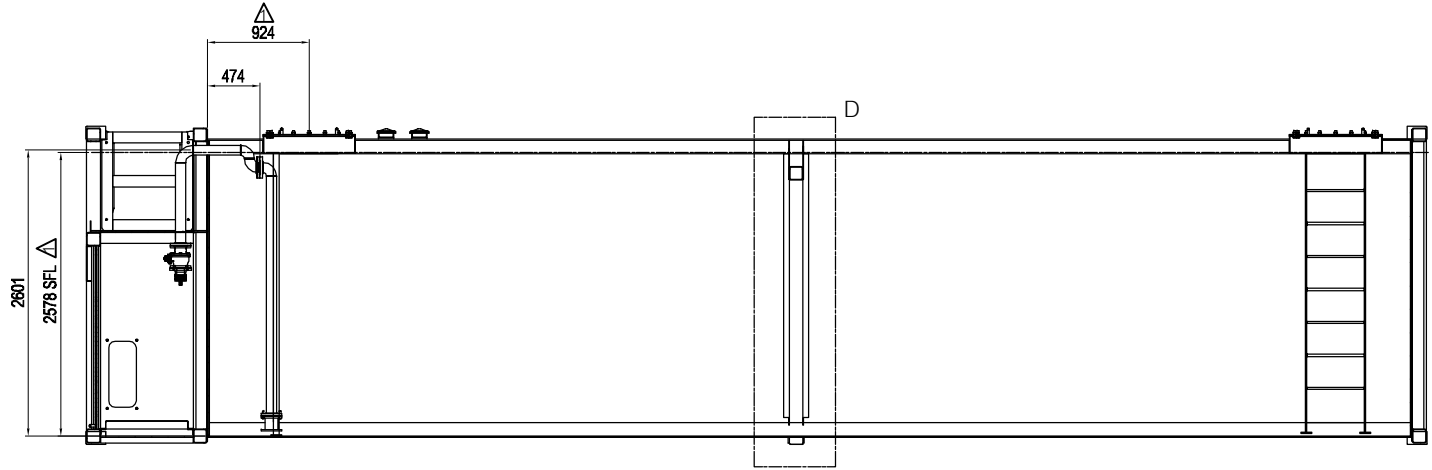
This document and all information contained within it remains the property of Petro Industrial PTY LTD and specified parties deemed by Petro Industrial PTY LTD. No part of this document may be copied without explicit consent of Petro Industrial PTY LTD.

© PETRO Industrial PTY. LTD 2013

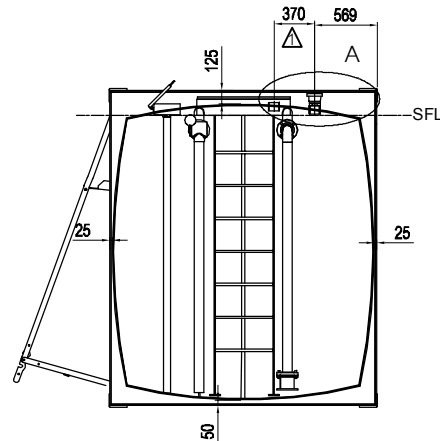
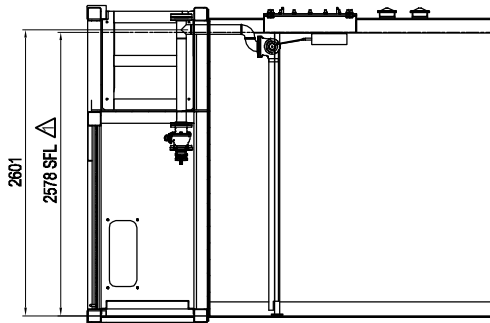
DRAWN:	DATE:	TITLE: GA DRAWING	
CHECKED:	DATE:	DRAWING NO: LTT62DB	
CLIENT:	DATE:	REV: 01	A3
APPROVED:	DATE:	SHEET: 2/3	
PURCHASE ORDER NO:		SCALE: none scale	



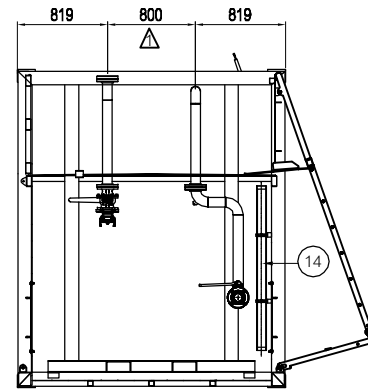
Detail : A



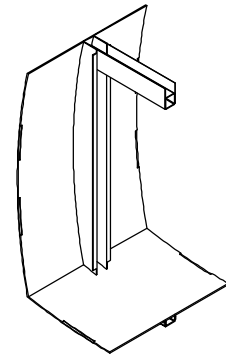
SECTION : A-A



SECTION : C-C



SECTION : B-B



DETAIL : D

01	20/08/15	move pipe upper SFL line and main hole	N.Pramote		
REV:	DATE:	REVISION:	DRAWN:	CHECKED:	APPROVED:

PETRO INDUSTRIAL
 SIDE VIEW
 000%
 CONFIDENTIAL
 This document and all information contained within it remains the property of Petro Industrial PTY LTD and specified parties deemed by Petro Industrial PTY LTD. No part of this document may be copied without explicit consent of Petro Industrial PTY LTD.
 © PETRO Industrial PTY. LTD 2013

DRAWN:	DATE:
CHECKED:	DATE:
CLIENT:	DATE:
APPROVED:	DATE:

TITLE: GA DRAWING	
DRAWING NO: LTT62DB	REV: 01
PURCHASE ORDER NO:	SHEET: 3/3
	SCALE: none scale

