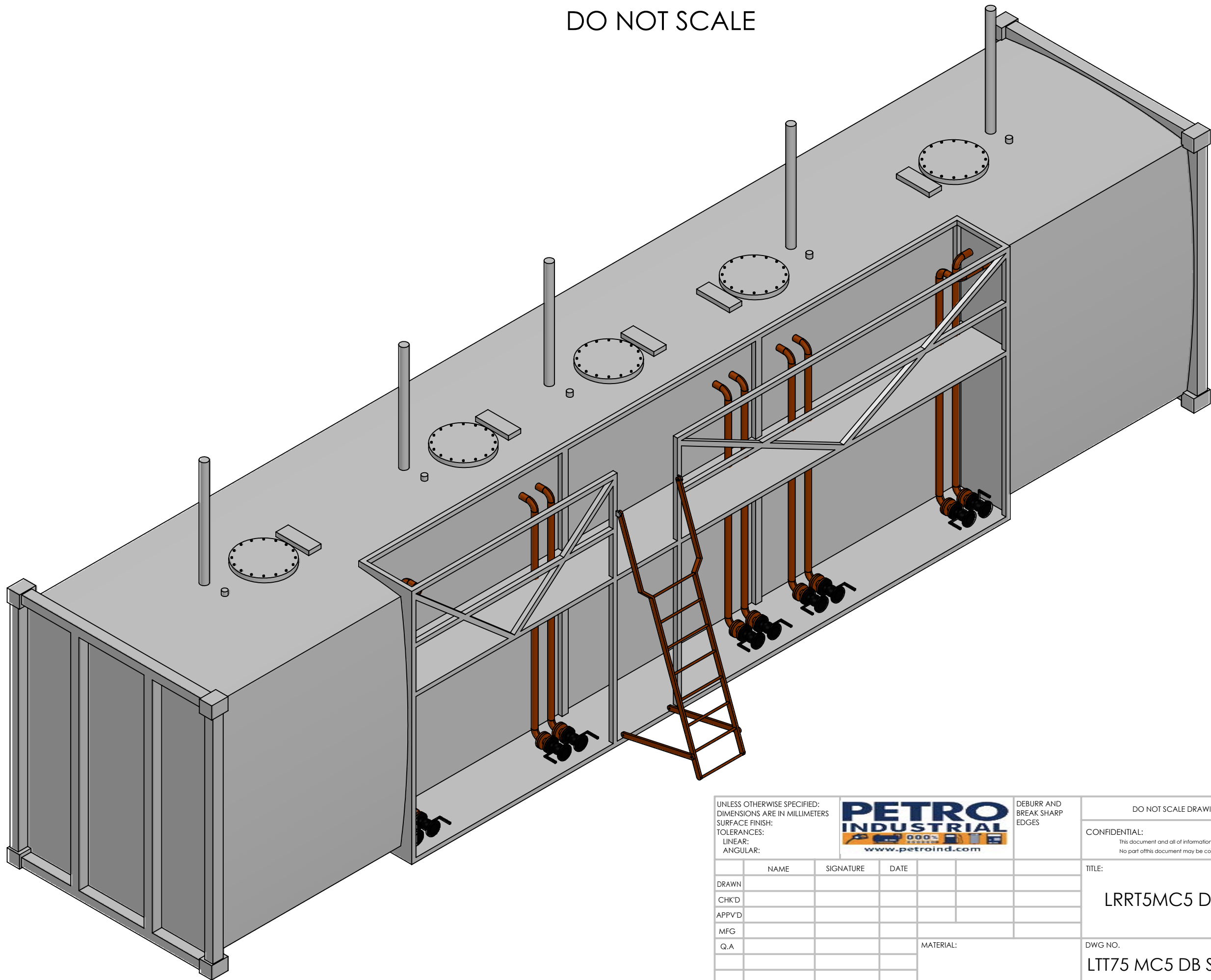


DO NOT SCALE



UNLESS OTHERWISE SPECIFIED:
 DIMENSIONS ARE IN MILLIMETERS
 SURFACE FINISH:
 TOLERANCES:
 LINEAR:
 ANGULAR:

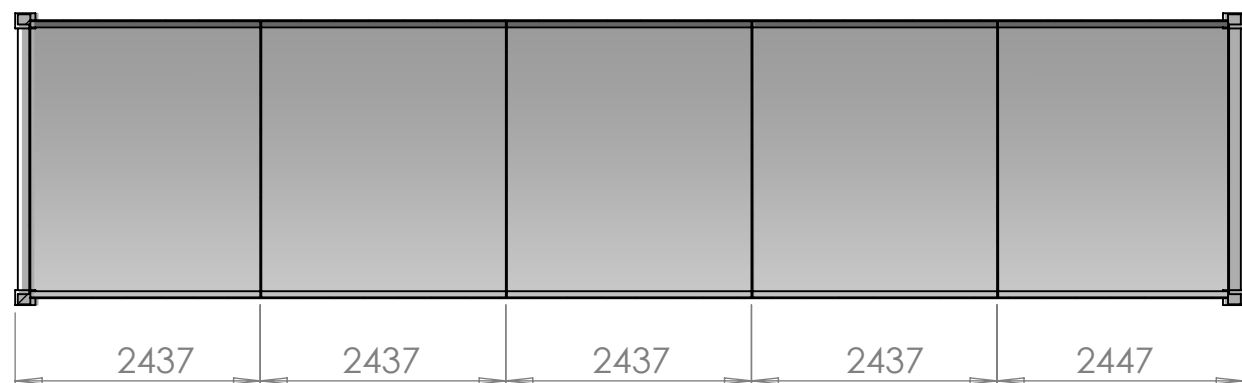
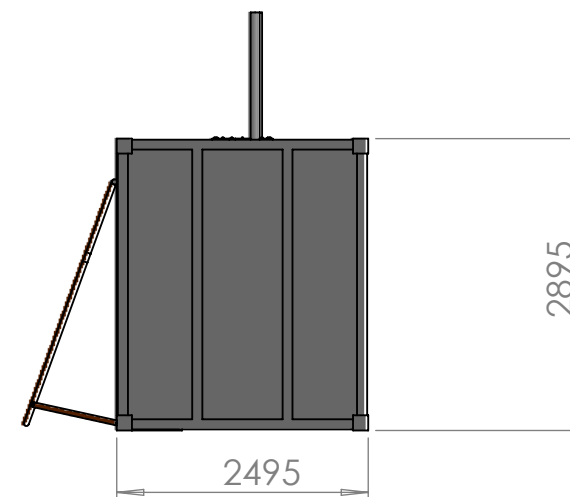
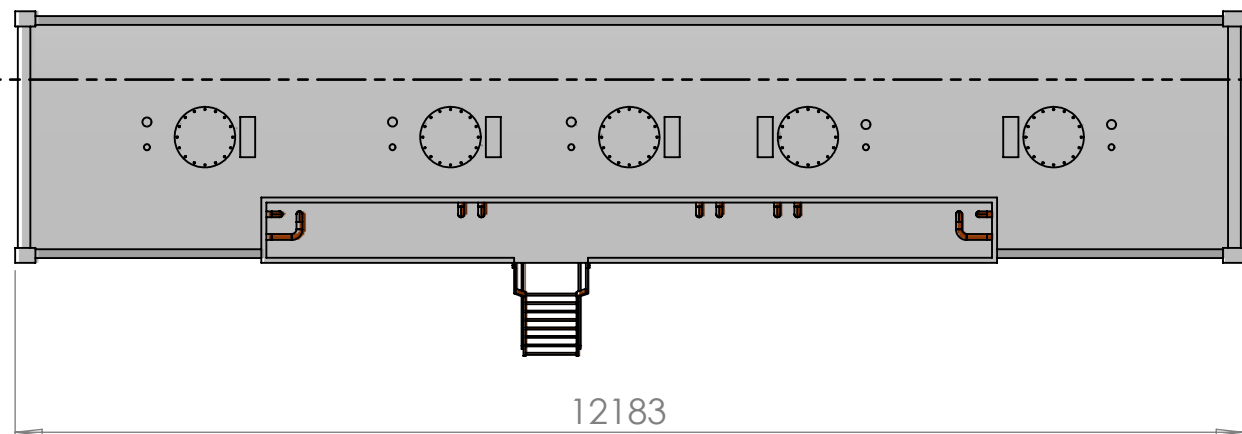
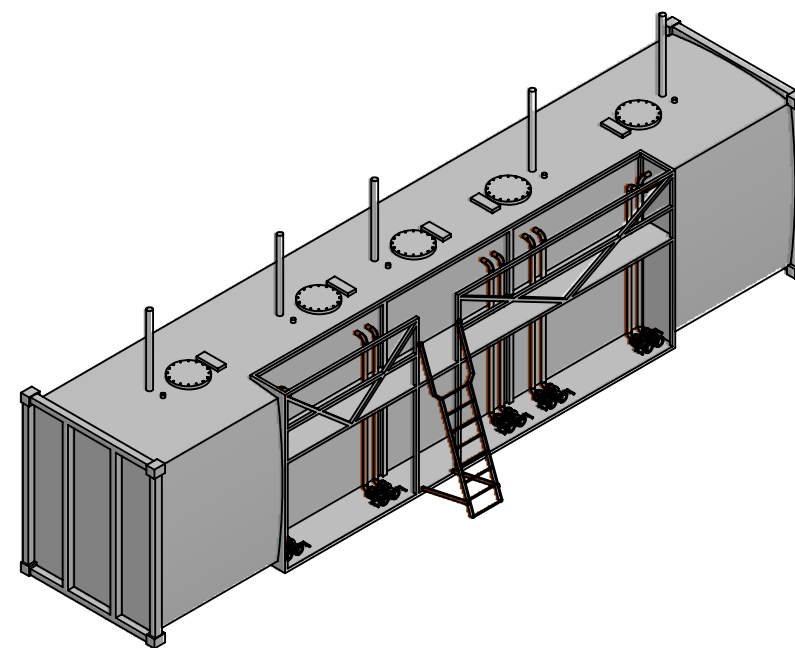
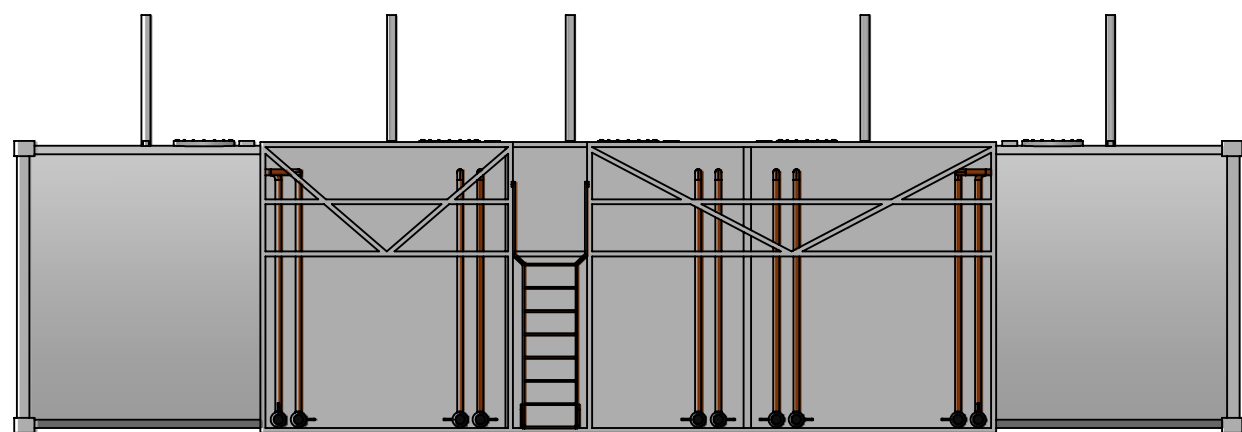


DEBURR AND
 BREAK SHARP
 EDGES

	NAME	SIGNATURE	DATE	
DRAWN				
CHK'D				
APPV'D				
MFG				
Q.A				
				MATERIAL:
				WEIGHT:

DO NOT SCALE DRAWING	REVISION
CONFIDENTIAL: <small>This document and all of information within it remain the property of LIQUITAINER CO.,LTD. No part of this document may be copied without explicit consent of LIQUITAINER CO.,LTD</small>	
TITLE: LRRT5MC5 DB STORAGE TANK	
DWG NO. LTT75 MC5 DB STORAGE TANK	A3
SCALE:	SHEET 1

DO NOT SCALE



UNLESS OTHERWISE SPECIFIED:
 DIMENSIONS ARE IN MILLIMETERS
 SURFACE FINISH:
 TOLERANCES:
 LINEAR:
 ANGULAR:



DEBURR AND
 BREAK SHARP
 EDGES

	NAME	SIGNATURE	DATE		
DRAWN					
CHK'D					
APPV'D					
MFG					
Q.A				MATERIAL:	
				WEIGHT:	

DO NOT SCALE DRAWING	REVISION
CONFIDENTIAL: This document and all of information within it remain the property of LIQUITAINER CO.,LTD. No part of this document may be copied without explicit consent of LIQUITAINER CO.,LTD	
TITLE: LRRT5MC5 DB STORAGE TANK	
DWG NO. LTT75 MC5 DB STORAGE TANK	A3
SCALE:	SHEET 1