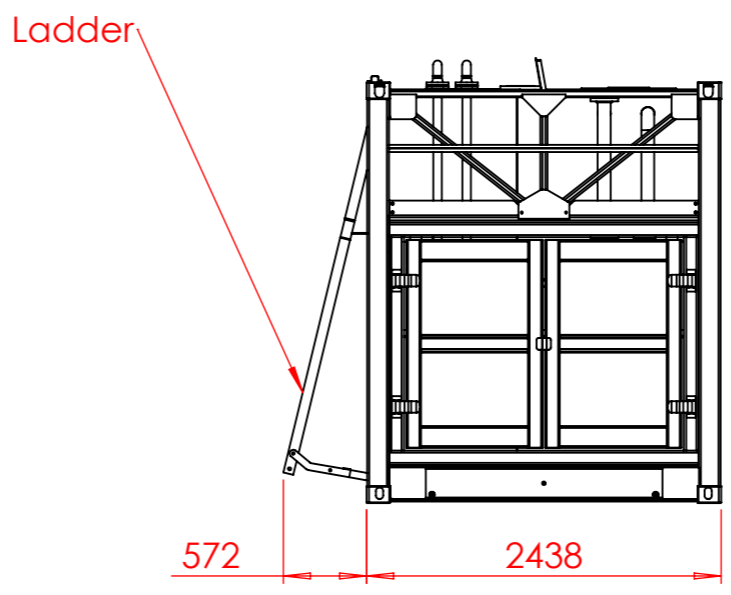
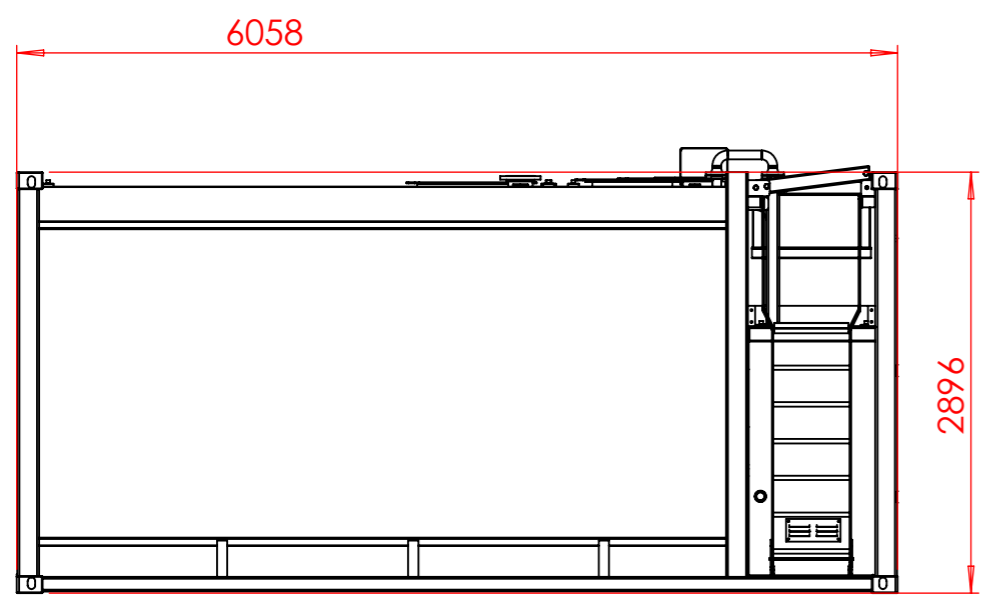
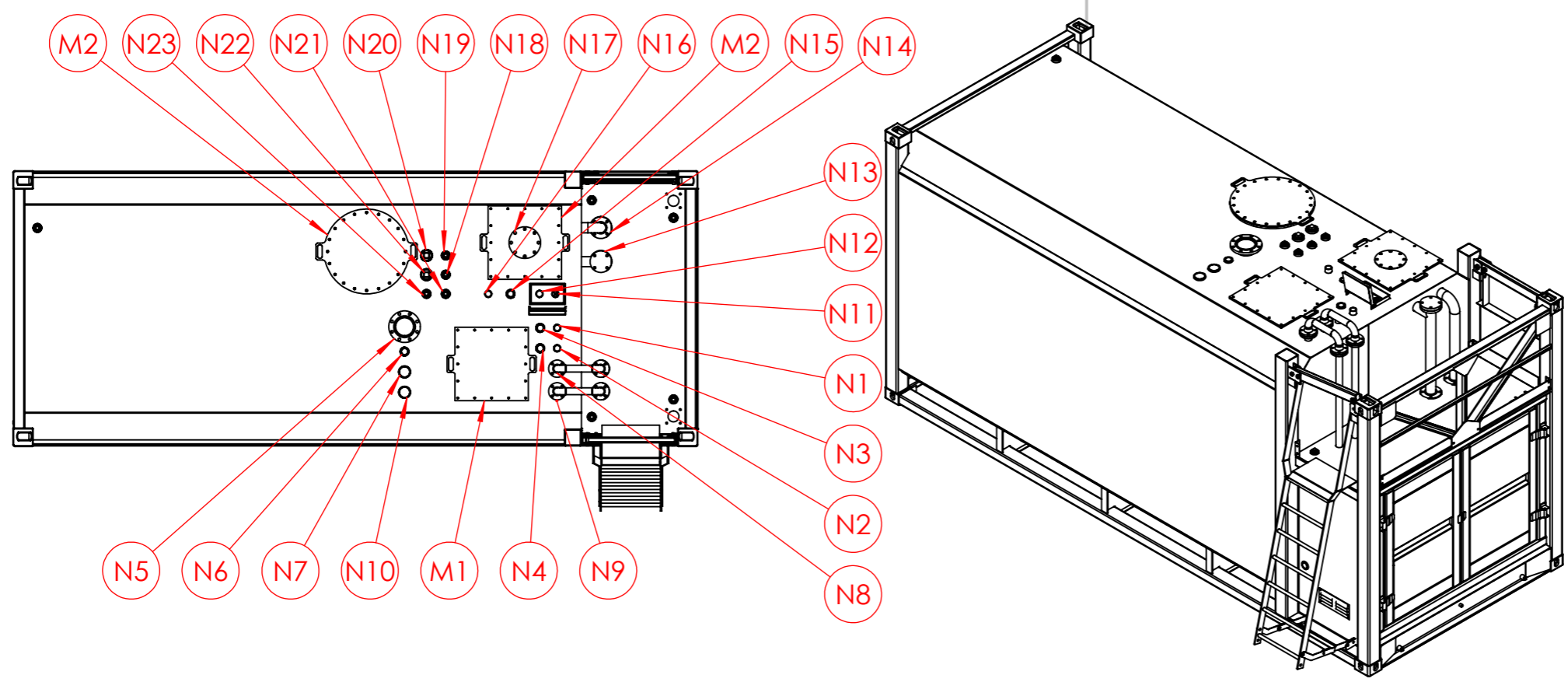


Nozzle ID	Connection Type	Service
AdBlue Tank		
N1	DN50 - ISO4144 - BSP Male	AdBlue Interstitial Dip (Capped)
N2	DN50 - ISO4144 - BSP Male	AdBlue Dip (Capped)
N3	DN50 - ISO4144 - BSP Socket	AdBlue Spare (Plugged)
N4	DN50 - ISO4144 - BSP Socket	AdBlue Spare (Plugged)
N5	DN280 ANSI 150 Flange	AdBlue AdBlue Pump Access Blind Flange
N6	DN50 - ISO4144 - BSP Male	AdBlue Spare (Plugged)
N7	DN80 - ISO4144 - BSP Socket	AdBlue Spare (Plugged)
N8	DN50 ANSI 150 Flange	AdBlue Primary Fill (c/w Ball Valve, Check Wafer, Type F camlock and Dust cap)
N9	DN50 ANSI 150 Flange	AdBlue Primary Suction (c/w Foot valve/anti syphon valve)
N10	DN80 - ISO4144 - BSP Socket	AdBlue Spare (Plugged)
M1	Square Flange (L,W=650mm)	AdBlue Primary Manway
Diesel Tank		
N11	DN50 - ISO4144 - BSP Male	Diesel Dip (Capped)
N12	DN50 - ISO4144 - BSP Male	Diesel Interstitial Dip (Capped)
N13	DN80 ANSI 150 Flange	Diesel Primary Suction with Prime Point
N14	DN80 ANSI 150 Flange	Diesel Primary Fill with Prime Point (c/w Ball Valve, Check Wafer, Type F camlock and Dust cap)
N15	DN50 - ISO4144 - BSP Socket	Diesel Interstitial Vet (Capped)
N16	DN50 - ISO4144 - BSP Socket	Secondary suction With Foot valve/Anti-syphon (Plugged)
N17	DN280 ANSI 150 Flange	Inspection Hatch
N18	DN50 - ISO4144 - BSP Socket	Diesel Spare (Plugged)
N19	DN50 - ISO4144 - BSP Socket	Diesel Spare (Plugged)
N20	DN80 - ISO4144 - BSP Socket	Diesel Spare (Plugged)
N21	DN80 - ISO4144 - BSP Socket	Diesel Spare (Plugged)
N22	DN80 - ISO4144 - BSP Socket	Diesel Spare (Plugged)
N23	DN50 - ISO4144 - BSP Socket	Diesel Spare (Plugged)
M2	Square Manway (L,W=650mm)	Diesel Primary Access
M3	Flanged (OD=750mm, ID=600mm)	Diesel Secondary Access



LTAB30	
Tank Data	
DESIGN CODE	AS 1940
BUILT TO	AS1693, CAT.3
PLATE THICKNESS - Diesel	6MM/6MM Q235B
PLATE THICKNESS - AdBlue	3mm SS304
EXTERNAL DIMENSIONS	6058mm x 2438mm x 2896mm
GROSS VOLUME	24650L / 4740L
SAFE VOLUME	23415L / 4500L
TARE WEIGHT	7569 KG

**PETRO INDUSTRIAL**  
 14 Business DR  
 PO Box 407  
 Narangba QLD 4504  
 p: 07 3204 9558  
 e: sales@petroindustrial.com.au

Customer Sign Off

Name:		Company:		Position:		Signature:	
REV	DATE	REVISION DESCRIPTION	CHKD	APPR	DATE	REFERENCE DRAWING	TITLE: LTAB30-5
						All dimensions are in mm unless specified otherwise Drawn to AS1100.101-1992	DRAWN BY:
						MATERIAL:	CHECK DRW:
						FINISH:	DRAWING SIZE:
						PAGE: 1 OF 1	A3
							SCALE
							1:52
							DRAWING NUMBER:
							LTAB-30-5
							REV.

COPYRIGHT NOTICE  
 This drawing remains property of Petro Industrial Pty Ltd and is not intended for distribution

THIRD ANGLE PROJECTION

8 7 6 5 4 3 2 1