



## NXT CHECK-MATE HIGH-FLO AIR-POWERED GREASE PUMP RANGE

Item code: GRACO-NXT-14:1-26:1-29:1-55:1-63:1-68:1

Dispenses up to 31 gallons of oil or 57 pounds of grease a minute. Tested to outperform and outlast all other pumps on the market with its long-life packing design. Intuitive, easy-to-use controls. Best value for the money – fewer parts, faster repairs and long-lasting durability.

### FEATURES:

- Intuitive, easy-to-use controls give you pump diagnostics to track material usage and plan for routine maintenance.
- Long-lasting durability–Check-Mate pump is a time-tested, proven performer.
- Reduces icing and noise–new NXT air motor is up to 50% quieter than previous models.
- Integrated ram and pump control is easy to use.
- The Graco DataTrak option provides monitoring for material tracking, system diagnostics and pump runaway control.

### MARKETS/APPLICATIONS:

#### In-Plant

- Supply long-pipe runs or large volume header systems with multiple dispense locations.
- Fill remote reservoirs or feed an automated lubrication system.
- Transfer and dispense large amounts of lubricant to supply a production process.

#### Mines/Construction

- Rapid fill of lube trucks.
- Service off-road equipment needing high volume transfers of oil or transmission fluids.
- Feed lubricant to a mine or construction process

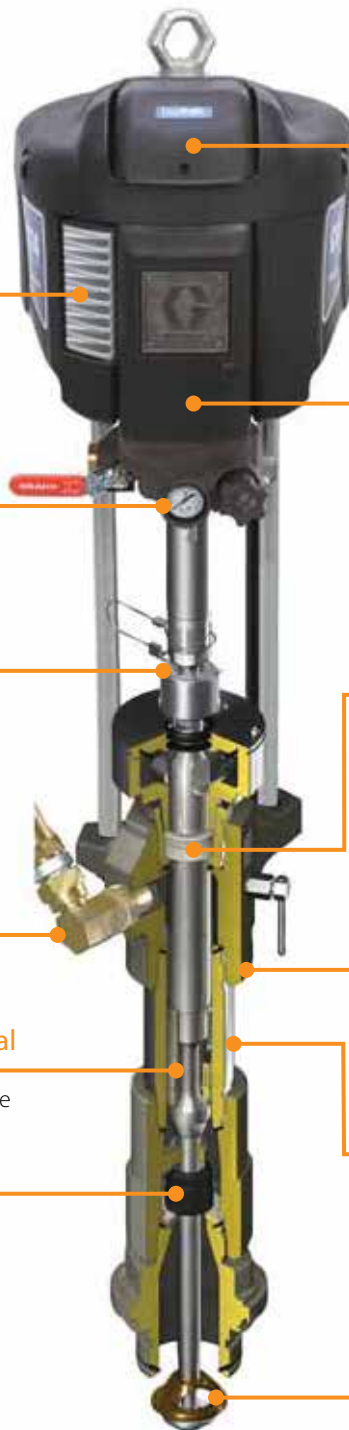
#### Fleets (municipal, military, aviation)

- Rapid transfer or dispense of lubricants to service fleet equipment.
- Supply large volume header systems with multiple dispense locations.

# PETRO INDUSTRIAL



petroind.com



## NXT Air Motor

- Modular design for easier maintenance
- Rugged body armor won't rust or dent
- Highest technology air motor on the market

## Integrated Air Controls

- Lockable easy-turn regulator
- Front-mounted for easy access
- Compact and modular
- Built-in filtration

## NEW Xtreme® Coupler

- Quick-disconnect coupler for easy maintenance

## Replaceable Outlet Fitting

- Reduces repair costs

## Piston Valve with Floating Piston Seal

- For maximum pressure balance over a range of material viscosities

## Replaceable Seat

- Minimizes service costs

## DataTrak™ Control

- Runaway protection
- Pump diagnostics
- Material tracking



## Modular Air Valve

- De-icing controls
- Up to 50% quieter than previous models
- Modular air valve
  - Eliminates stalling
  - Easy-to-repair

## NEW Cartridge Throat Packings

- Allows for easy servicing without removing from ram

## Cast Outlet and Inlet Housing

- Improves structural integrity

## Hard Part Coatings

- Standard Severe Duty™ coating on rods and cylinder maximizes wear life

## Floating Priming Plate

- Provides uniform flow

# PETRO INDUSTRIAL



petroind.com



## DATATRAK:

### Advanced Graco Control Architecture

- Provides pump runaway protection by monitoring pump speed. DataTrak automatically shuts the pump off when material runs out or if a hose breaks.
- Tracks and displays material usage and volumetric flow, and tells you how much material is left in the drum. With an accurate, unbiased measurement of flow, DataTrak helps ensure quality control and eliminates material waste.
- Provides pump diagnostics for better maintenance. DataTrak tracks material throughput, which indicates when it's time for routine maintenance. It also provides pump lower diagnostics and lets you know whether the pump is diving in the up or down stroke—a good indication that packings or balls are starting to wear, or the pump needs to be cleaned.



### Remote Control for Maximum Convenience

- Integrated ram and pump control is easy to use and easy to see.
- Intuitive electronic user interface gives the operator immediate and important operating data at the touch of a button.

### NXT MOTORS – Modular—No Special Tools Required

- Graco air motors are designed with modular components so that no special tools are needed for assembly and repair.

### Quiet Operation

- The quiet, low-noise NXT Air Motor operates around 87 decibels, while other comparable motors operate up to 103 dB(A).

### Reduced Icing Keeps You Pumping

- Frost or ice can freeze-up the pump when you're moving large volumes of oil or grease. Graco's all new de-icing technology adds warmer ambient air to the air motor to melt any build-up.

## CHECK-MATE GREASE PUMP FLOOR STAND PACKAGES:

		14:1	26:1	29:1	55:1	63:1	68:1		
Check-Mate Floor Stand Pumps	Pump Specifications	Package No. with DataTrak	247973	247976	247974	247977	247975	247978	
		Package Number w/o DataTrak	24E006	24E007	24E008	24E009	24E010	24E011	
		Mounting	Floor Stand (223952)						
		Pump with DataTrak	P14MCS	P26MCS	P29MCS	P55MCS	P63MCS	P68MCS	
		Pump w/o DataTrak	P14DCS	P26DCS	P29DCS	P55DCS	P63DCS	P68DCS	
		Output per Cycle	500cc		250cc		100cc	200cc	
		Motor Size	NXT 3400	NXT 6500	NXT 3400	NXT 6500	NXT 3400	NXT 6500	
		Maximum Fluid Pressure psi (bar, Mpa)	1400 (96.5, 9.7)	2600 (179.3, 17.9)	2900 (200.0, 20.0)	5500 (379.2, 37.9)	4500 (310.3, 31.0)	5300 (356.5, 36.5)	
		Maximum Air Input Pressure psi (bar, Mpa)	100 (6.9, 0.7)				72 (5.0, 0.5)	78 (5.4, 0.53)	
		Output at 60 CPM lbs/min (kg/min)*	57.0 (26.0)		28.0 (13.0)		11.4 (5.2)	22.8 (10.4)	
		Manuals	System Manual		312863				
			Pump Manual		312376				
			Pump Lower Manual		312375				
			Motor Manual		311238				
	Outlet	Pump Outlet Size		1 1/2 in npt (m)		1 in npt (f)			
				3/4 in npt (m)		1 in npt (f)			
	Hoses	3/4 in x 6 ft Air Hose		208610					
		1 in x 6 ft Fluid Hose		115042		244657			



\*Graco recommends 20 CPM or less for supply applications.

## CHECK-MATE GREASE RAM PACKAGES:

		14:1	63:1	68:1	
Check-Mate Ram Pumps	Pump Specifications	Package No.	247979	247980	247981
		Mounting	RAM System		
		Output per Cycle	500cc	100cc	200cc
		Motor Size	NXT 3400		NXT 6500
		Maximum Fluid Pressure psi (bar, Mpa)	1400 (96.5, 9.7)	4500 (310.3, 31.0)	5300 (365.5, 36.5)
		Maximum Air Input Pressure psi (bar, Mpa)	100 (6.9, 0.7)	72 (5.0, 0.5)	78 (5.4, 0.53)
		Output at 60 CPM lbs/min (kg/min)*	57.0 (26.0)	11.4 (5.2)	22.8 (10.4)
		Manuals	System Manual		
			312863		
			Supply Systems Operation		
			312371		
		Supply Systems Repair & Parts			
		312373			
	Outlet	Pump Outlet Size		1 1/2 in npt (m)	
				3/4 in npt (m)	
				1 in npt (f)	
	Hoses	3/4 in x 6 ft Air Hose		208610	
		1 in x 6 ft Fluid Hose		115042	
				244657	



\*Graco recommends 20 CPM or less for supply applications.

# PETRO Contact Information

## AFRICA

### South Africa

Factory 14 Bentonite Street  
Alrode, Alberton, Johannesburg  
South Africa  
P: +27 (0)11 864 7758  
F: +27 (0) 11 864 1649  
E: sales@petroindustrial.co.za

## UAE

### Dubai

Office LB17330, Lobby Building 17  
Jebel Ali Free Zone  
PO Box 18602  
Dubai, United Arab Emirates  
P: +971 488 76688  
F: +971 488 76932  
E: salesuae@petroind.com

## AUSTRALIA

### Eastern Australia

Factory 2, 106 Potassium Street  
PO Box 407  
Narangba QLD 4504  
P: 07 3204 9558  
F: 07 3293 4852  
E: sales@petroindustrial.com.au

### Western Australia

173 Mulgul Road, Malaga WA 6090 AU  
P: +61 (8) 6305 0855  
E: saleswa@petroperth.com.au

# PETRO INDUSTRIAL



[petroind.com](http://petroind.com)