

PETRO INDUSTRIAL



petroind.com



NEW SD SERIES HOSE REEL RANGE

Engineered for Everyday Use

The SD line of hose reels feature Graco durability, performance and value built into every reel. With its durable metal spool and rigid pedestal frame, the compact SD Series is ideal for indoor and moderate outdoor exposure.

FEATURES:

Full-Flow Swivel

- Maximize material flow with minimal pressure drop for faster fills to get more vehicles through your shop.

Adjustable Arm

- Easily change to one of six arm positions to fit your application.

Large Hose Capacity with Small Profile

- Compact pedestal and spool fits into tight spaces and can accommodate 35-65 foot (10.7-19.8 meters) hose (NPT air/water) capacity for a wide variety of applications.

Durable Finish

- Baked-on enamel finish (six colors available) protects reel from corrosion.

TYPICAL APPLICATIONS:

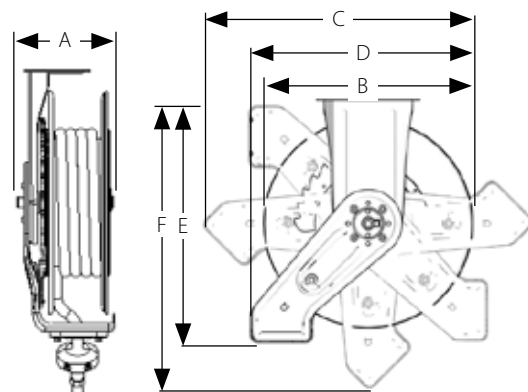
- Car dealerships
- Light-/medium-duty truck dealers
- Fleet maintenance
- Public works garages
- Construction vehicle maintenance
- Light-utility service trucks

TYPICAL FLUIDS HANDLED:

- Petroleum- and synthetic-based oils (motor, gear and ATF)
- Air
- Water
- Grease
- Anti-freeze & Windshield washer fluid

DIMENSIONS:

	SD 10	SD 20
A	7.0 in (177mm)	7.0 in (177mm)
B	16.2 in (412mm)	18.1 in (460mm)
C	21.0 in (533mm)	23.4 in (594mm)
D	17.1 in (435mm)	19.2 in (488mm)
E	19.5 in (495mm)	21.8 in (554mm)
F	22.5 in (571mm)	25.2 in (640mm)



PETRO INDUSTRIAL



petroind.com



TECHNICAL SPECIFICATIONS:

Operating Temperature Range

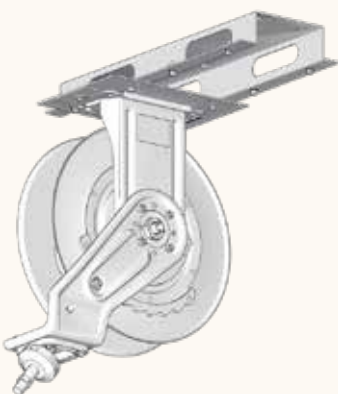
Air/Water/Anti-Freeze/Windshield Washer Fluid Reels	-20°F to 190°F (-28°C to 87°C)
Oil Reels	-20°F to 190°F (-28°C to 87°C)
Grease Reels	-20°F to 190°F (-28°C to 87°C)

Wetted Parts

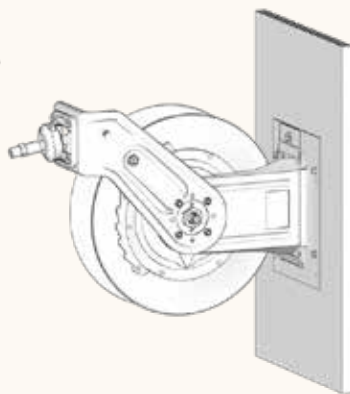
Grease Reels	Zinc plated steel, polyurethane, steel
All Other Reels	Zinc plated steel, anodized aluminum, nitrile rubber
Weight	52 lb (23.5 kg)
Sound Pressure Level	80 dB(A)
Sound Power Level	88 dB(A)
Instruction Manual	313431

TYPICAL MOUNTING CONFIGURATIONS:

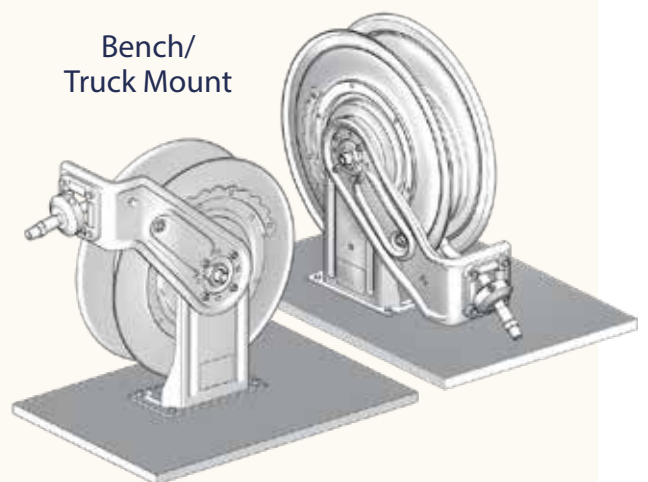
Ceiling Mount



Wall Mount



Bench/
Truck Mount





ORDERING INFORMATION:

Arm in Overhead Mount Position

Assembled with hose, ball stop kit and roller guide. *Required hose inlet kit sold separately.*

Reel Size	Fluid	Hose		Connection Size		Maximum Pressure psi (bar)	Assembly Part Number	Recommended Hose Inlet Kit	
		ID in (mm)	Length ft (m)	Inlet in (mm)	Outlet in (mm)				
SD 10	Air/Water/ Anti-Freeze/ Windshield Washer Fluid	3/8 (10)	35 (11)	1/2 (13)	3/8 (10)	300 (20.7)	25P951	218549	
		3/8 (10)	50 (15)	1/2 (13)	3/8 (10)	300 (20.7)	25P952		
		1/2 (13)	35 (11)	1/2 (13)	1/2 (13)	300 (20.7)	25P956		
SD 20	Washer Fluid	3/8 (10)	65 (20)	1/2 (13)	3/8 (10)	300 (20.7)	25P954		
		1/2 (13)	50 (15)	1/2 (13)	1/2 (13)	300 (20.7)	25P957		
SD 10	Oil	1/2 (13)	35 (11)	1/2 (13)	1/2 (13)	2,000 (138)	25P960		
SD 20		1/2 (13)	50 (15)	1/2 (13)	1/2 (13)	2,000 (138)	25P962		
SD 10	Grease	1/4 (6)	50 (15)	3/8 (10)	1/4 (6)	5,000 (345)	25P965		218550
SD 20		3/8 (10)	35 (11)	3/8 (10)	1/4 (6)	4,800 (331)	25P967		
		3/8 (10)	50 (15)	3/8 (10)	1/4 (6)	4,800 (331)	25P968		

Arm in Tank/Bench Mount Position

Assembled with hose, ball stop kit and roller guide. *Required hose inlet kit sold separately.*

Reel Size	Fluid	Hose		Connection Size		Maximum Pressure psi (bar)	Assembly Part Number	Recommended Hose Inlet Kit
		ID in (mm)	Length ft (m)	Inlet in (mm)	Outlet in (mm)			
SD 20	Air/Water/ Anti-Freeze/ Windshield Washer Fluid	3/8 (10)	65 (20)	1/2 (13)	3/8 (10)	300 (20.7)	25P955	218549
		1/2 (13)	50 (15)	1/2 (13)	1/2 (13)	300 (20.7)	25P958	
	Oil	1/2 (13)	50 (15)	1/2 (13)	1/2 (13)	2,000 (138)	25P963	
	Grease	3/8 (10)	50 (15)	3/8 (10)	1/4 (6)	4,800 (331)	25P969	



ORDERING INFORMATION:

Bare Reels

Arm in Overhead Mount Position

Required hose inlet kit sold separately. Fluid hose not included.

Reel Size	Fluid	Hose		Connection Size		Maximum Pressure psi (bar)	Assembly Part Number	Recommended Hose Inlet Kit
		ID in (mm)	Length ft (m)	Inlet in (mm)	Outlet in (mm)			
SD 10	Air/Water/ Anti-Freeze/ Windshield Washer Fluid	3/8 (10)	50 (15)	1/2 (13)	3/8 (10)	300 (20.7)	25P953	218549
		1/2 (13)	35 (11)	1/2 (13)	3/8 (10)	300 (20.7)	25P953	
SD 20		3/8 (10)	65 (20)	1/2 (13)	1/2 (13)	300 (20.7)	25P959	
		1/2 (13)	50 (15)	1/2 (13)	1/2 (13)	300 (20.7)	25P959	
SD 10	Oil	1/2 (13)	35 (11)	1/2 (13)	1/2 (13)	2,000 (138)	25P961	
SD 20		1/2 (13)	50 (15)	1/2 (13)	1/2 (13)	2,000 (138)	25P964	
SD 10	Grease	1/4 (6)	50 (15)	3/8 (10)	3/8 (10)	5,000 (345)	25P966	218550
		3/8 (10)	35 (11)	3/8 (10)	3/8 (10)	5,000 (345)	25P966	
SD 20		3/8 (10)	50 (15)	3/8 (10)	3/8 (10)	5,000 (345)	25P970	

Enclosure Kits for One Reel

Open mounting accommodates up to six reels. Includes all parts necessary to mount on wall or ceiling. Requires mounting channel.

Reel Size	White	Metallic Blue	Red	Black	Dark Blue	Yellow	Required End-Caps (set of 2)
SD 10	24A217	24A940	24A941	24A942	24A943	24A949	24A950
SD 20	24A218	24A945	24A946	24A947	24A948	24A949	24A951

Hose Inlet Kits

A hose inlet kit is required when ordering an SD reel.


Maximum Working Pressure psi (bar)	Size in (mm)	Length ft (m)	Part Number
2,000 (137)	1/2 (13)	2 (0.6)	218549
4,000 (276)	3/8 (10)		218550
5,000 (345)	1/4 (6)		224417



ORDERING INFORMATION:


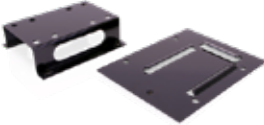

Ball Stop Kits

SD reel packages include ball stop kits. Items below are available for bare reels and as replacement parts.

	Hose Inner Diameter (ID) Size	Part Number
	1/4 in (6.4 mm)	222225
	1/4 in to 3/8 in (6.4 mm to 9.5 mm)	218340
	3/8 in to 1/2 in (9.5 mm to 12.7 mm)	218341
	5/8 in (15.9 mm)	237872

Mounting Channels


Accommodates up to six reels. Includes all parts necessary to mount on wall or ceiling.

	Description	1 Reel	2 Reels	3 Reels	4 Reels	5 Reels	6 Reels
	Enclosed Reel Mounting Channel	203521	203522	203523	203524	203525	203526
	Open Reel Mounting Channel	24A934	24A935	24A936	24A937	24A938	24A939
	I-Beam Mounting Bracket*	204741 (x 2)			204741 (x 3)		

*Secures mounting channel to I-beam without drilling – 2 are required for 1-3 reels, and 3 are required for 4-6 reels.

Swivel Mounting Bracket

Allows reel to swivel 120° with two lockable positions.


	Part Number	Description
	24N444	Swivel mounting bracket for installing SD 10 reels




ORDERING INFORMATION:

Easy Slide-In Mount

Allows reel to slide in and out of mount for easy installation.


	Part Number	Description
	24H193	Ceiling or wall slide-in mount for SD 10 or SD 20 reels

Retrofit Adapter Kits

	Part Number	Description
	24C100	Includes all parts to mount an SD 10 hose reel to an existing 250 series mounting pattern with enclosure

Hose Identification Wraps

Vinyl hose wrap for easy identification of meter fluid.

	Part Number	Description
	17S659	Red
	17S660	Blue
	17S661	Green
	17S662	Yellow
	17S663	White