



100lpm Manual Shut Off

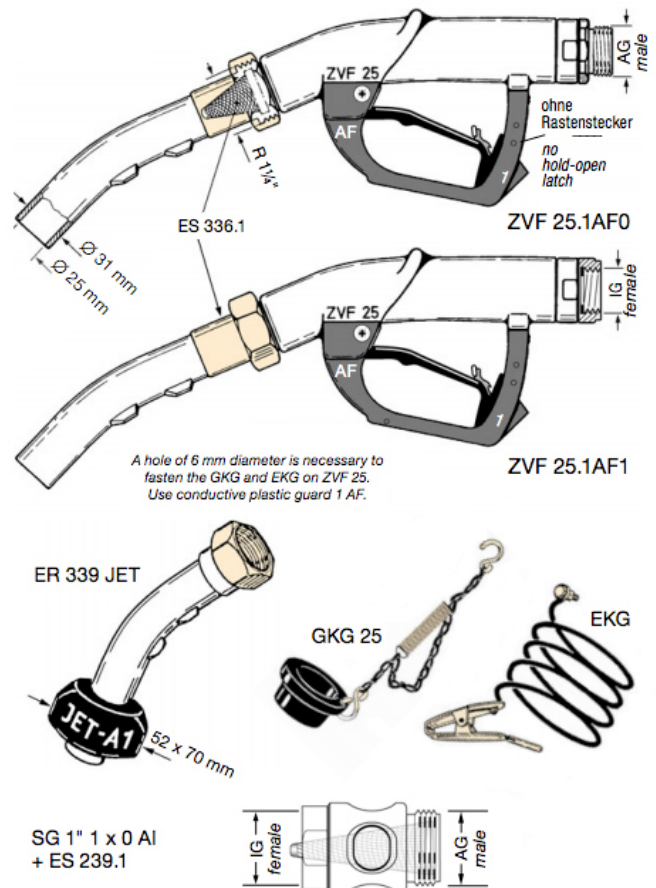
ELAFLEX ZVF AVIATION REFUELLING NOZZLE

Item code: NOZZLE-ZVF25

German manufactured quality. Under the brand name of ZVA (Zapfventil Automatic) ELAFLEX has supplied automatic nozzles to industry for over 40 years. The most outstanding features are user-friendliness, performance and technical innovation.

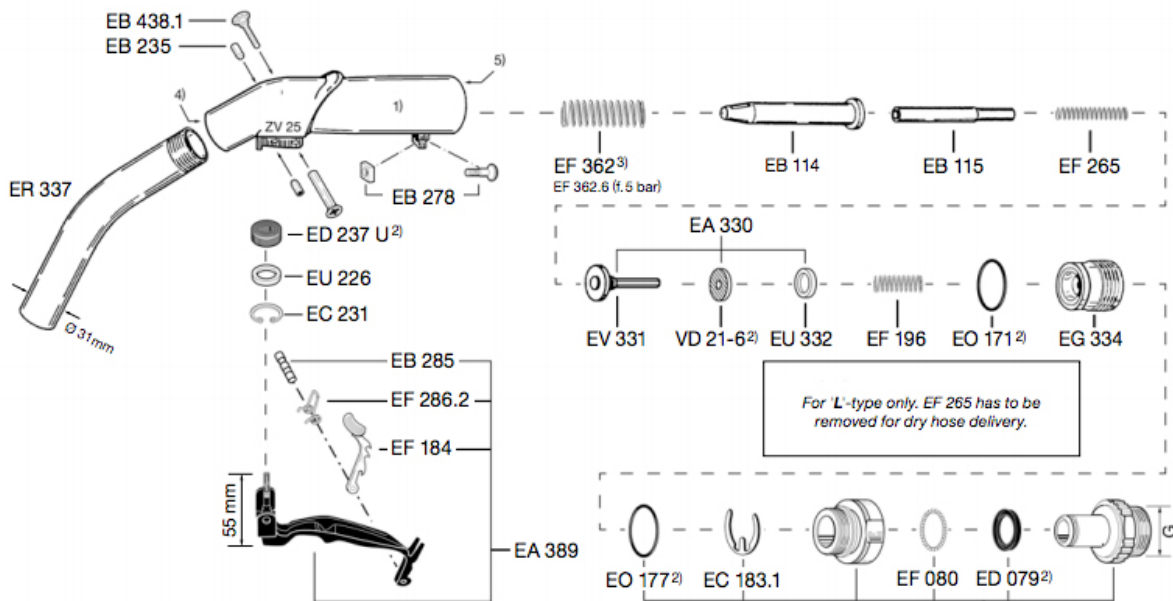
PRODUCT RANGE:

Description	Guard Style	Hose Inlet Thread Type + Size	Code
Specifications	No.	G	Type
Special type for aircraft and helicopter fuelling with strainer 100 mesh (ES 336.1) of stainless steel. Spout assembly with brass threading for easy strainer control. Hole in the guard to fasten GKG and EKG. Check valve for wet hose delivery and swivel hose inlet. Deadman lever type without hold open latch. Weight 1,3 kg.	1 AF	R 1" AG 1" BSP male	ZVF 25.1AF0
		R 1" IG 1" BSP female	ZVF 25.1AF1
		1" NPT IG 1" NPT female	ZVF 25.1AF5
		R 1" AG 1" BSP male	ZVF 25.1AF0 5bar
		R 1" IG 1" BSP female	ZVF 25.1AF1 5bar
		1" NPT IG 1" NPT female	ZVF 25.1AF5 5bar
Spout with Jet A1 modification			ER 339 JET
Dust cap assembly : NBR / brass for spout 30 / 31 mm OD			GKG 25
Ground cable assembly with solid brass clamp and bolt. Cable with plastic coating. Length 1200 mm			EKG 1200
			EKG 2000
Sight glass SG 1" of alu coated and impact-resistant synthec glass, with strainer 100 mesh (ES 239.1) of stainless steel.			SG 1" 1 x 0 Al + ES 239.1

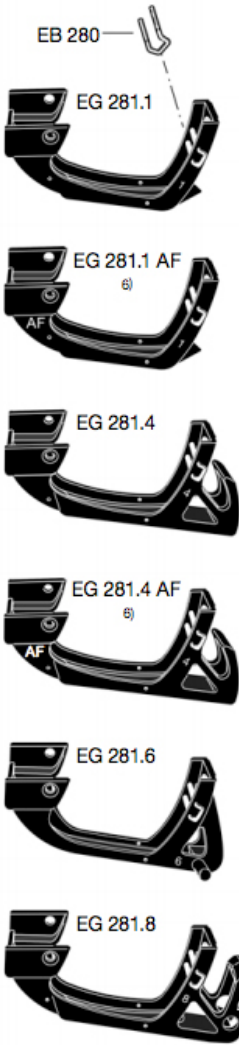


FEATURES:

- 1" BSP aviation refuelling nozzle supplied c/w.
 - Static lanyard & clip.
 - Manual Shutoff.
 - Spout cover.
 - Swivel.
 - Easily removed spout to access 100# strainer basket.
- Suitable for every petrol dispenser, every hose and every vehicle filler neck.
 - Additional retrofitting in the field is trouble free.
 - All major parts can be replaced.
 - Fixed inlets and swivels, sight glasses and angel swivels are available in a range of various thread sizes.
 - With one or two intermittent repairs, the ZVA can reach a service life of ten years or more.

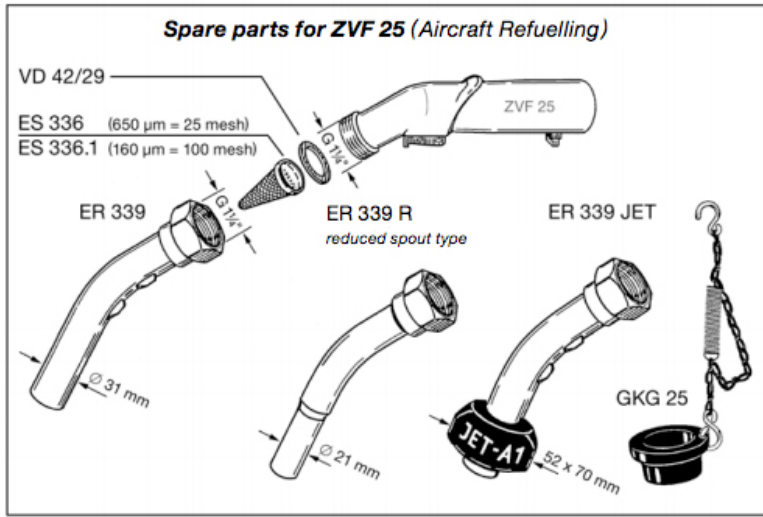


For 'L'-type only, EF 265 has to be removed for dry hose delivery.



fixed hose inlet			
R 1" AG	1" BSP male	EG 173	
G =	R 1" IG	1" BSP female	EG 173.1
	1" NPT IG	1" NPT female	EG 173.5

swivel hose inlet			
R 1" AG	1" BSP male	EA 075	
R 1" IG	1" BSP female	EA 075.1	
3/4" NPT IG	3/4" NPT female	EA 075.3	
G =	R 3/4" IG	3/4" BSP female	EA 075.4
	1" NPT IG	1" NPT female	EA 075.5
	R 3/4" AG	3/4" BSP male	EA 075.7



PETRO Contact Information

AFRICA

South Africa

Factory 14 Bentonite Street
Alrode, Alberton, Johannesburg
South Africa
P: +27 (0)11 864 7758
F: +27 (0) 11 864 1649
E: sales@petroindustrial.co.za

AUSTRALIA

Eastern Australia

Factory 2, 106 Potassium Street
PO Box 407
Narangba QLD 4504
P: 07 3204 9558
F: 07 3293 4852
E: sales@petroindustrial.com.au

UAE

Dubai

Office LB17330, Lobby Building 17
Jebel Ali Free Zone
PO Box 18602
Dubai, United Arab Emirates
P: +971 488 76688
F: +971 488 76932
E: salesuae@petroind.com

Western Australia

173 Mulgool Road
Malaga WA 6090
P: +61 (8) 6305 0855
E: saleswa@petroperth.com.au

PETRO INDUSTRIAL



petroind.com