

# PETRO INDUSTRIAL



petroind.com



## FILTRATION LUBRICANTS

Filtering oil prior to dispensing into equipment is critical to meet the ISO cleanliness specifications demanded by today's OEM's. Donaldson Bulk hP filters provide high efficiency filtration in a single pass. Service shops use high pressure pumps to force oil through long lengths of piping and hose reels prior to dispensing into equipment.

Donaldson Bulk hP filters remove contaminants delivered in oil and picked up in storage or delivery lines during final transfer. They ensure the required ISO cleanliness level is met every time.

### BULK HP FILTER HEADS:

Code	Working Pressure	Indicator	Bypass Valve	Connections
<b>P566023</b>	1000 psi 6894 kpa 68.9 bar	Yes	No	SAE-16 O-ring
<b>P566024</b>	1000 psi 6894 kpa 68.9 bar	Yes	50 psi 345 kpa 3.4 bar	SAE-16 O-ring



### BULK HP FILTERS:

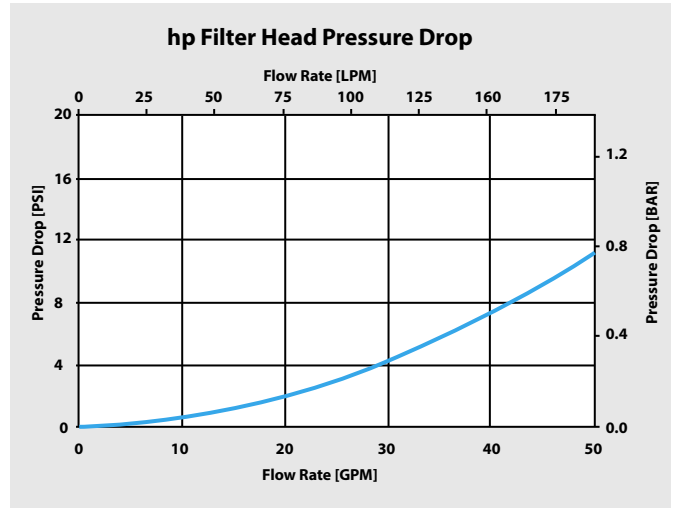
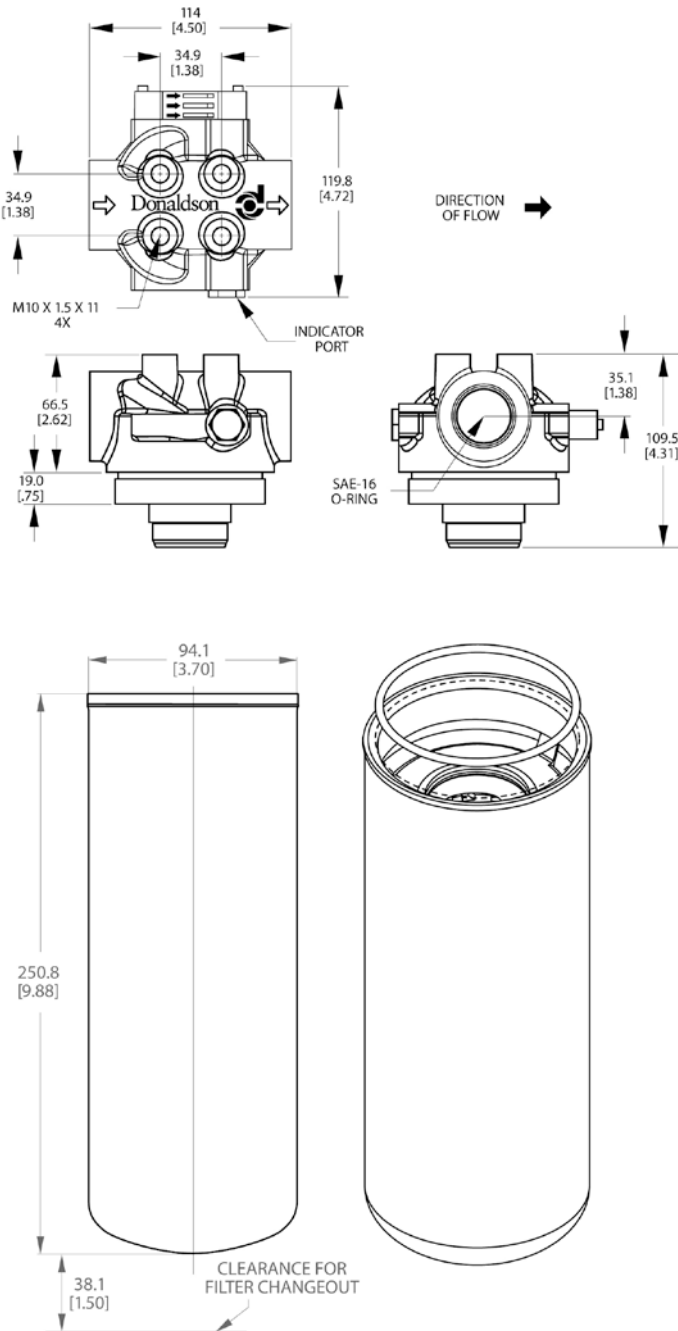
Code	P565184	P565185	P565183
<b>Target ISO Cleanliness</b>	14/13/11	16/14/11	18/16/13
<b>Fluid Compatibility</b>	Petroleum Based Oils		
<b>Max. Flow Range</b>	50gpm / 189Lpm		
<b>Micron Rating &amp; Efficiency</b>	4 micron @ Beta 2000	8 micron @ Beta 2000	14 micron @ Beta 2000
<b>Working Pressure</b>	1000 psi / 6894 kpa / 68.9 bar		800 psi / 5756 kpa / 55 bar
<b>Element Collapse Pressure</b>	300 psi / 2068 kpa / 20.7 bar		
<b>Application</b>	Hydraulic, Gear, Transmission & Engine Oils		
<b>Rated Static Burst</b>	2200 psi / 15168 kpa / 151.7 bar		1700 psi / 11721 kpa / 117 bar



# PETRO INDUSTRIAL



petroind.com



## WARNING

**THERMAL EXPANSION...** Donaldson highly advises following the pump manufacturer's relief recommendations. Pump manufacturers offer relief valves to protect against over pressurization. A mere 10 °F / 5.5 °C increase in oil temp can add 450 psi / 3103 kPa / 31 bar to the system while the pump is shut off.