

8 7 6 5 4 3 2 1

F

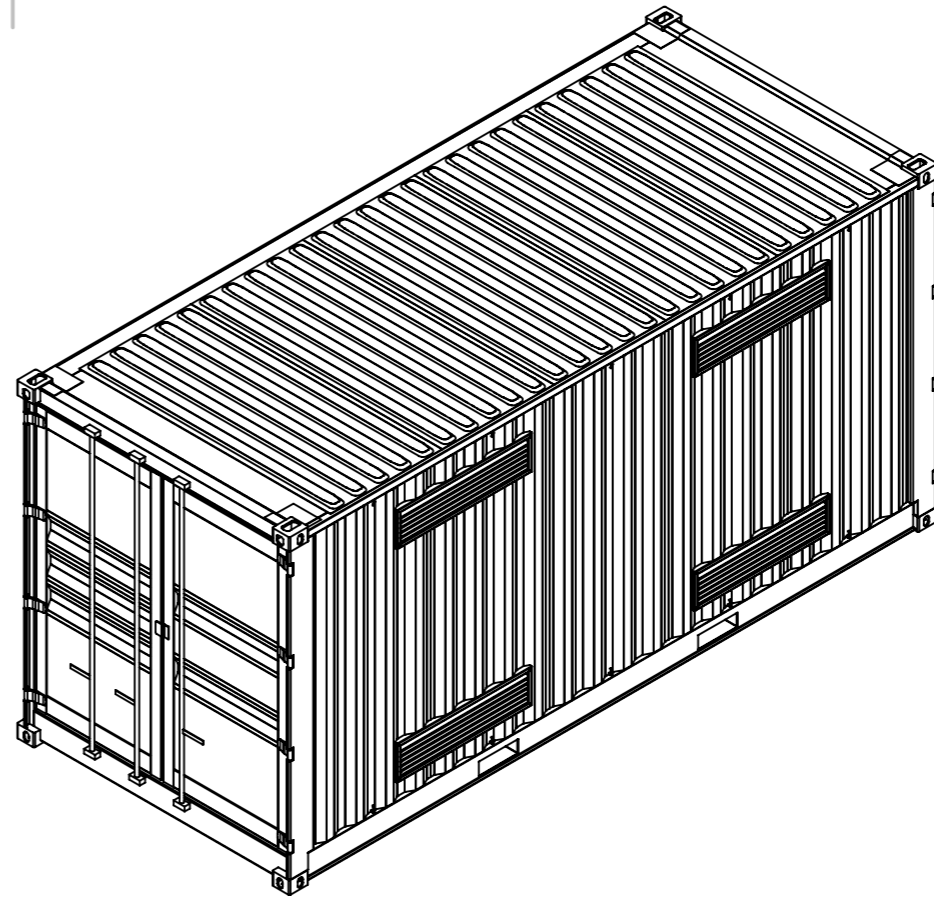
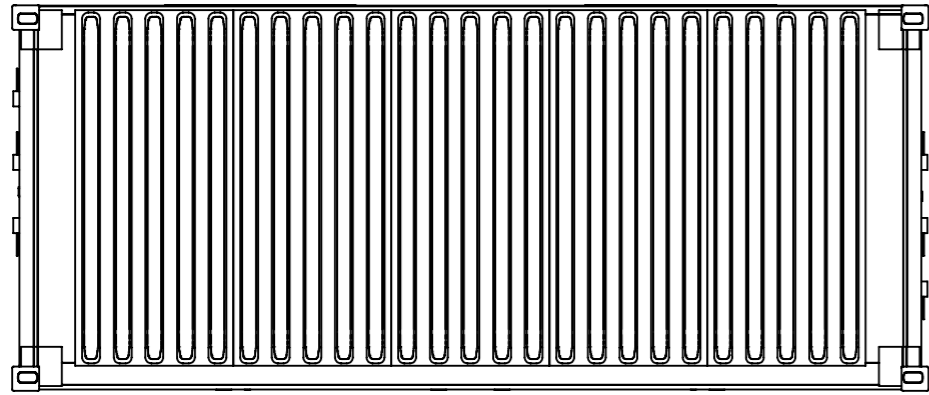
F

E

E

D

D

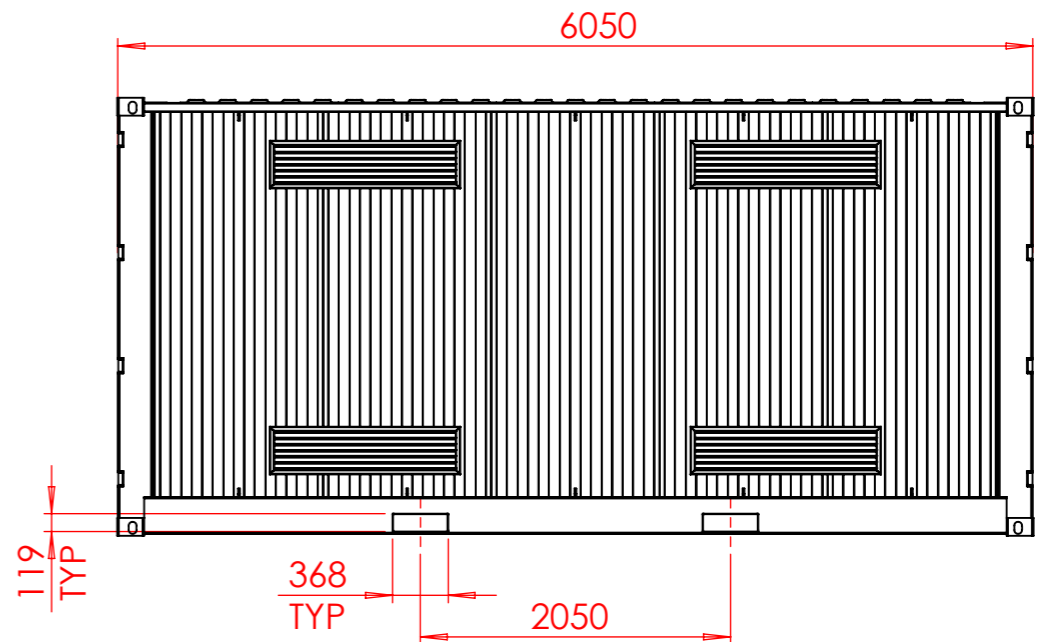
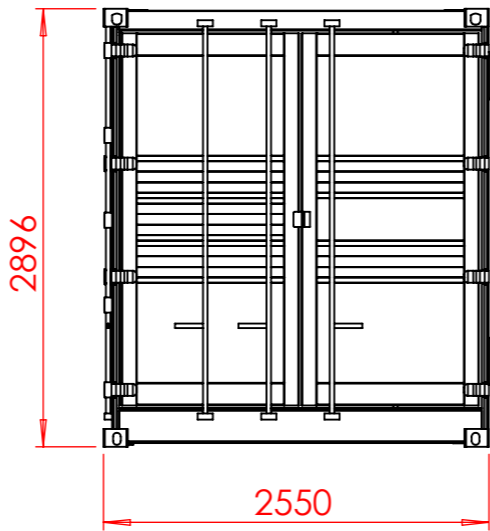
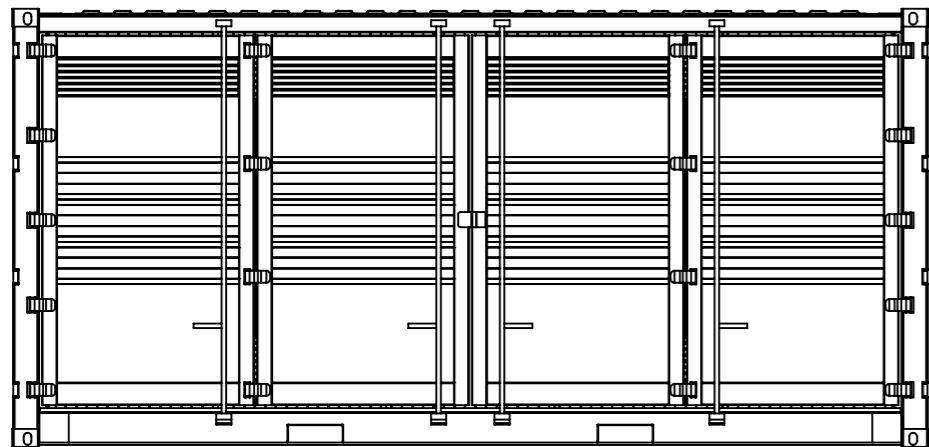


C

C

B

B



PETRO INDUSTRIAL Factory 2, 106 Potassium street
 PO Box 407
 Narangba QLD 4504
 p: 07 3204 9558
 e: sales@petroindustrial.com.au

CUSTOMER APPROVAL DATE:		COPYRIGHT NOTICE	
TITLE: GA Cover		This drawing remains property of Petro Industrial Pty Ltd and is not intended for distribution	
DRAWN BY: IF	CHECK DRW:	DRAWING SIZE: A3	
CLIENT: Petro	PROJECT NO:	SCALE 1:50	
		DRAWING NUMBER: DG Store - DRW - GA	REV. A

REV	DATE	REVISION DESCRIPTION	CHKD	APPR	REV	DATE	REVISION DESCRIPTION	CHKD	APPR	REFERENCE DRAWING No.	REFERENCE DRAWING

All dimensions are in mm unless specified otherwise
 Drawn to AS1100.101-1992
 MATERIAL: (Grade) Carbon Steel
 FINISH: 9003: Signal White
 PAGE: 1 OF 1

8 7 6 5 4 3 2 1

A

A