



316 SS Scr BSP

3 WAY ACTUATED THREADED BALL VALVES

Item code: BV3W-ACT-SUP1

Range of Stainless Steel Double Acting Air, Spring Return Air or Electric Actuated Ball Valves.

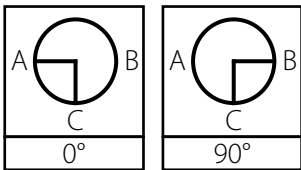
- High performance 316 stainless steel ball valve.
- 8mm to 80mm bore fitted with high temperature, carbon filled PTFE seats.
- Body connections either threaded (standard), butt weld, socket weld or flanged.
- Teflon - Has a wide range of chemical compatibility (consult factory).
- Typical applications include water treatment, chemical, marine, petrochemical and steam service.
- Media Pressure - 70 Bar W.O.G. - Vacuum - 10 Bar Steam using RT Seat.
- Media Temperature: -20deg C to 180° C
- Actuator Air Pressure: 6-8 Bar.
- Materials of Construction: Body - 316 SS, Seats - Filled PTFE, Threads - BSP Female Scr

DOUBLE ACTING PNEUMATIC (AIR TO OPEN AND CLOSE) – SPECIFICATIONS:

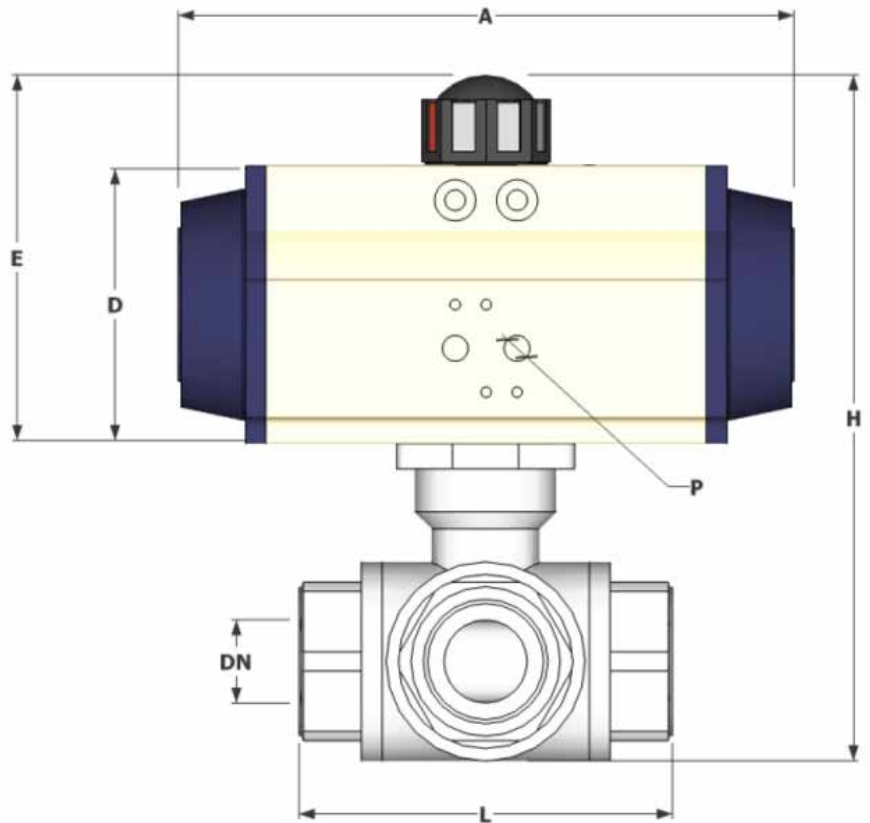
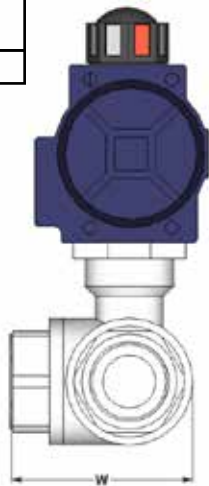
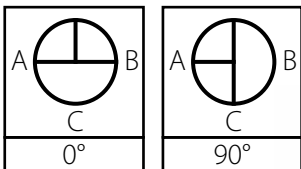
Model	Size BSP	Orifice (mm)	Actuator	Media Pressure	Media Temperature	Actuator Pressure	Material of Construction
BLS3L2B-DA-RT	1/4	8	DA52	Vacuum to 68 Bar (Steam 10 Bar)	-20°C to 180°C	6 to 8 Bar	316 SS Body RTFE seat (reinforced Teflon) Aluminium actuator L or T port
BLS3L3B-DA-RT	3/8	10	DA52				
BLS3L4B-DA-RT	1/2	12	DA52				
BLS3L5B-DA-RT	3/4	15	DA52				
BLS3L6B-DA-RT	1	20	DA52				
BLS3L8B-DA-RT	1 ½	32	DA75				
BLS3L9B-DA-RT	2	43	DA85				
BLS3L10B-DA-RT	2 ½	55	DA100				
BLS3L11B-DA-RT	3	66	DA115				



"L" Port Configuration



"T" Port Configuration



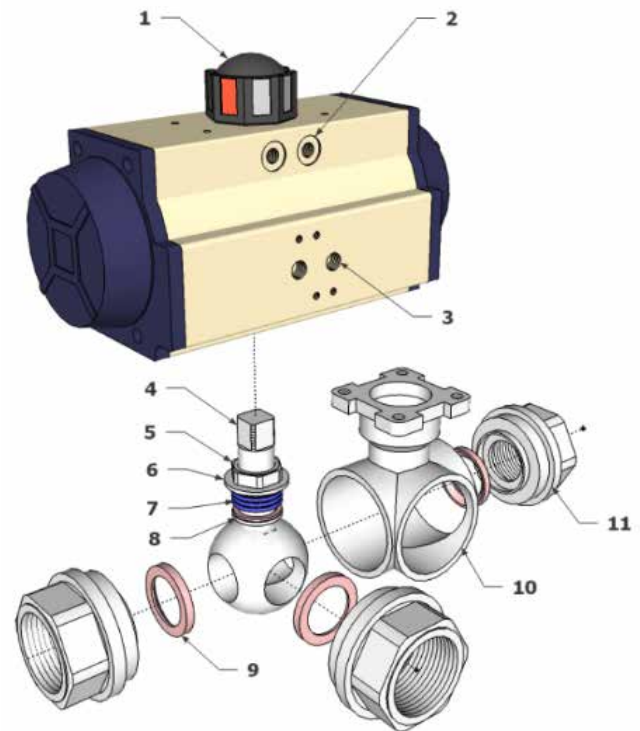
DOUBLE ACTING PNEUMATIC – DIMENSIONS (mm):

Model	Orifice (mm)	Actuator	A	D	E	H	L	P	W
BLS3L2B-DA-RT	8	DA52	139	69	89	222	50	1/8"	40
BLS3L3B-DA-RT	10	DA52	139	69	89	222	50	1.6	40
BLS3L4B-DA-RT	12	DA52	139	69	89	237	68	1/8"	54
BLS3L5B-DA-RT	15	DA52	162	80	100	244.5	88	1/8"	67
BLS3L6B-DA-RT	20	DA52	162	80	100	254	90	1/8"	70.5
BLS3L8B-DA-RT	32	DA75	237	108	128	408	120	1/8"	97
BLS3L9B-DA-RT	43	DA85	271	121	141	449.5	140	1/4"	116.5
BLS3L10B-DA-RT	55	DA100	328	141	171	559.5	185	1/4"	151
BLS3L11B-DA-RT	66	DA115	366	153	183	514	205	1/4"	171



DOUBLE ACTING PNEUMATIC – CONSTRUCTION:

Item	Article	Material
1	Visual Indicator	UV Stabilised Thermoplastic
2	Adjustable Stops	Stainless Steel
3	Pressure Ports	Threaded
4	Drive	316 Stainless Steel
5	Retainer	316 Stainless Steel
6	Chevron Seals	Reinforced Teflon
7	Backing O-ring	Viton
8	Thrust Washer	Reinforced Teflon
9	Seats	Reinforced Teflon
10	Body	316 Stainless Steel
11	End Connection	316 Stainless Steel



SPRING RETURN PNEUMATIC (AIR TO OPEN AND SPRING TO CLOSE) - SPECIFICATIONS:

Model	Size BSP	Orifice (mm)	Actuator	Media Pressure	Media Temperature	Actuator Pressure	Material of Construction
BLS3L2B-SR-RT	1/4	8	SR52	Vacuum to 68 Bar (Steam 10 Bar)	-20°C to 180°C	6 to 8 Bar	316 SS Body RTFE seat (reinforced Teflon) Aluminium actuator L or T port
BLS3L3B-SR-RT	3/8	10	SR52				
BLS3L4B-SR-RT	1/2	12	SR52				
BLS3L5B-SR-RT	3/4	15	SR63				
BLS3L6B-SR-RT	1	20	SR63				
BLS3L8B-SR-RT	1 ½	32	SR85				
BLS3L9B-SR-RT	2	43	SR100				
BLS3L10B-SR-RT	2 ½	55	SR115				
BLS3L11B-SR-RT	3	66	SR125				

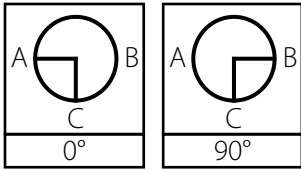
PETRO INDUSTRIAL



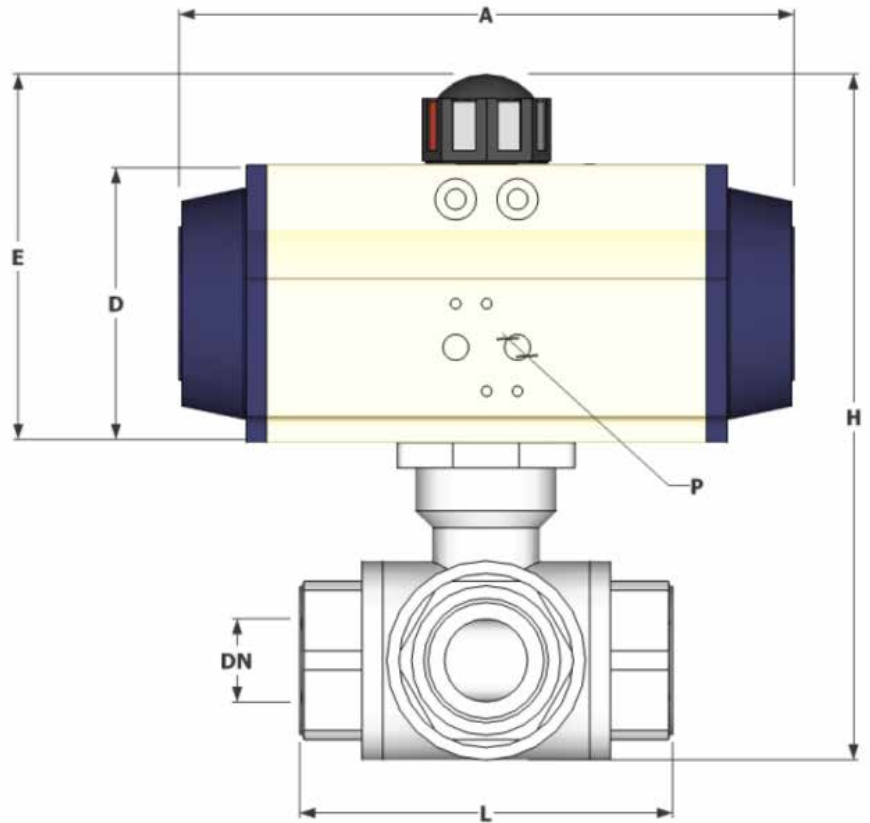
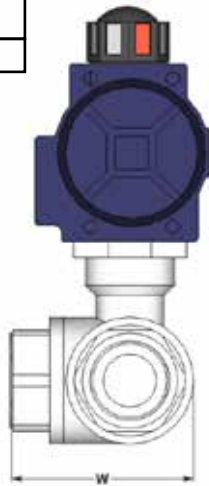
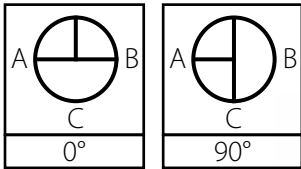
petroind.com



"L" Port Configuration



"T" Port Configuration



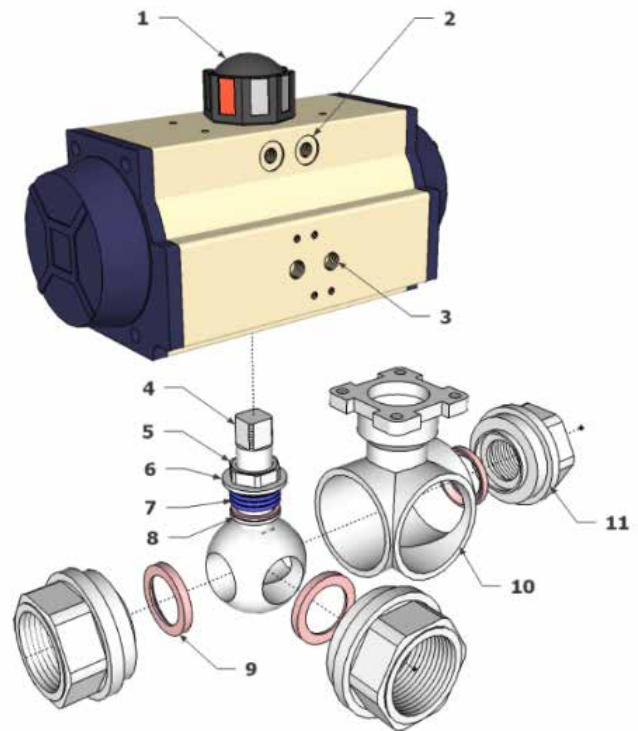
SPRING RETURN PNEUMATIC – DIMENSIONS (mm):

Model	Orifice (mm)	Actuator	A	D	E	H	L	P	W
BLS3L2B-SR-RT	8	SR52	139	69	89	222	50	1/8"	40
BLS3L3B-SR-RT	10	SR52	139	69	89	222	50	1.6	40
BLS3L4B-SR-RT	12	SR52	139	69	89	237	68	1/8"	54
BLS3L5B-SR-RT	15	SR63	162	80	100	244.5	88	1/8"	67
BLS3L6B-SR-RT	20	SR63	162	80	100	254	90	1/8"	70.5
BLS3L8B-SR-RT	32	SR85	237	108	128	408	120	1/8"	97
BLS3L9B-SR-RT	43	SR100	271	121	141	449.5	140	1/4"	116.5
BLS3L10B-SR-RT	55	SR115	328	141	171	559.5	185	1/4"	151
BLS3L11B-SR-RT	66	SR125	366	153	183	514	205	1/4"	171



SPRING RETURN PNEUMATIC – CONSTRUCTION:

Item	Article	Material
1	Visual Indicator	UV Stabilised Thermoplastic
2	Adjustable Stops	Stainless Steel
3	Pressure Ports	Threaded
4	Drive	316 Stainless Steel
5	Retainer	316 Stainless Steel
6	Chevron Seals	Reinforced Teflon
7	Backing O-ring	Viton
8	Thrust Washer	Reinforced Teflon
9	Seats	Reinforced Teflon
10	Body	316 Stainless Steel
11	End Connection	316 Stainless Steel



ELECTRICALLY ACTUATED (ON / OFF AND MODULATING) - SPECIFICATIONS:

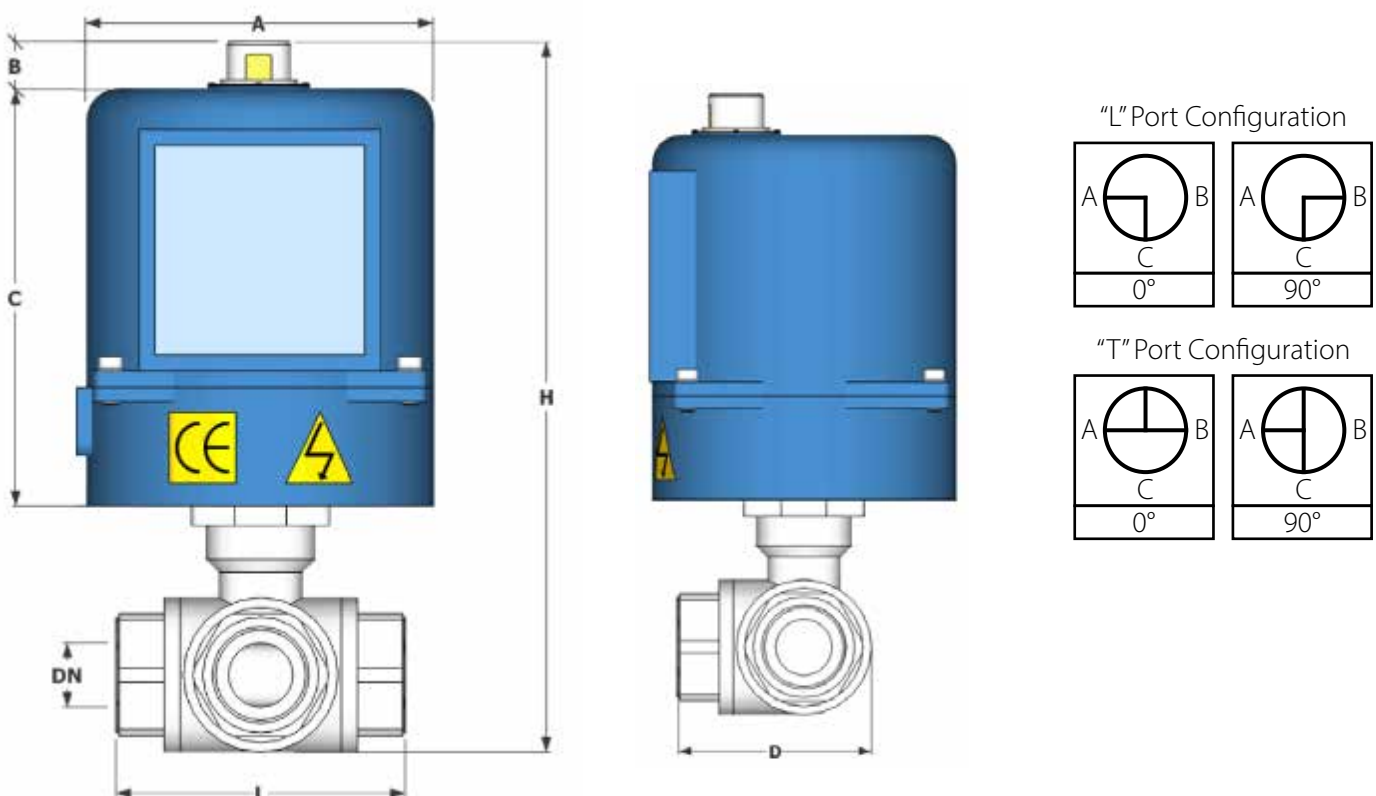
Model	Size BSP	Orifice (mm)	Actuator	Media Pressure	Media Temperature	Material of Construction	Voltage Available
BLS3L2B-E*-RT	1/4	8	OM-1	Vacuum to 68 Bar (Steam 10 Bar)	-20°C to 180°C	316 SS Body RTFE seat (reinforced Teflon) IP67 Electric Actuator (with extra limit switches & man override except for OM-A) L or T port	12vDC 24vDC 24vAC 110vAC 240vAC 415vAC
BLS3L3B-E*-RT	3/8	10	OM-1				
BLS3L4B-E*-RT	1/2	12	OM-1				
BLS3L5B-E*-RT	3/4	15	OM-1				
BLS3L6B-E*-RT	1	20	OM-1				
BLS3L8B-E*-RT	1 ½	32	OM-A				
BLS3L9B-E*-RT	2	43	OM-2				
BLS3L10B-E*-RT	2 ½	55	OM-3				
BLS3L11B-E*-RT	3	66	OM-4				



ELECTRICALLY ACTUATED – DIMENSIONS (mm):

Model	Orifice (mm)	Actuator	A	B	C	H	L	D
BLS3L2B-E*-RT	8	0M-1	108	17	138	198	50	40
BLS3L3B-E*-RT	10	0M-1	108	17	138	198	50	40
BLS3L4B-E*-RT	12	0M-1	108	17	138	213	68	54
BLS3L5B-E*-RT	15	0M-1	108	17	138	219.5	88	67
BLS3L6B-E*-RT	20	0M-1	108	17	138	229	90	70.5
BLS3L8B-E*-RT	32	0M-A	108	17	183	300	120	97
BLS3L9B-E*-RT	43	0M-2	200	24	266	408.5	140	116.5
BLS3L10B-E*-RT	55	0M-3	200	24	266	448.5	185	151
BLS3L11B-E*-RT	66	0M-4	234	24	291	493	205	171

Please note: 0M-2 models and bigger have hand wheel manual override which is not accounted for in these dimensions.





ELECTRICALLY ACTUATED – CONSTRUCTION:

Item	Article	Material
1	Visual Indicator	UV Stabilised Thermoplastic
2	IP67 Actuator Housing	Powder Coated Aluminium
3	Housing Fasteners	Stainless Steel
4	Conduit Entry	Threaded
5	Drive	316 Stainless Steel
6	Retainer	316 Stainless Steel
7	Checron Seals	Reinforced Teflon
8	Backing O-ring	Viton
9	Thrust Washer	Reinforced Teflon
10	Seats	Reinforced Teflon
11	Body	316 Stainless Steel
12	End Connection	316 Stainless Steel
13	Nut	316 Stainless Steel

