



3 WAY FLANGED BALL VALVE RANGE

Item code: BV3WF-SUP1

FEATURES:

- High performance 3 way full bore 316 Stainless Steel ball valve with ANSI 150 flanged connections.
- Self adjusting stem packing assembly with belleville spring for temperature fluctuations and vibration.
- Pre drilled metric ISO5211 direct mounting pad to minimise any thermal transfer from valve to actuator.
- Reinforced PTFE seats for temperatures up to 180°C.
- Typical applications include water treatment, chemical, marine, petrochemical and general industry.
- V port version available for fine control (see model BLV). Also available In ANSI 300, table D/E upon request.
- Electric and Pneumatic actuation available.

RANGE OPTIONS:

Model	Size	DN (mm)	L Port CV	T Port CV (Through)	T Port CV (Branch)	Media Pressure	Media Temperature	ISO5211	Torque NM
BLS3L4FA-L-RT	½"	15	6	10	5	Vacuum to 20 Bar	20°C to 180°C	F03/F04	9
BLS3L5FA-L-RT	¾"	20	15	21	13	Vacuum to 20 Bar	20°C to 180°C	F04/F05	14
BLS3L6FA-L-RT	1"	25	27	36	22	Vacuum to 20 Bar	20°C to 180°C	F04/F05	16
BLS3L7FA-L-RT	1 ¼"	32	28	58	25	Vacuum to 20 Bar	20°C to 180°C	F05/F07	26
BLS3L8FA-L-RT	1 ½"	40	65	90	55	Vacuum to 20 Bar	20°C to 180°C	F05/F07	32
BLS3L9FA-L-RT	2 "	50	120	175	100	Vacuum to 20 Bar	20°C to 180°C	F07/F10	60
BLS3L10FA-L-RT	2 ½"	65	175	235	149	Vacuum to 20 Bar	20°C to 180°C	F10/F12	92
BLS3L11FA-L-RT	3"	80	300	450	270	Vacuum to 20 Bar	20°C to 180°C	F10/F12	121
BLS3L12FA-L-RT	4"	100	353	800	475	Vacuum to 20 Bar	20°C to 180°C	F10/F12	180

PETRO INDUSTRIAL

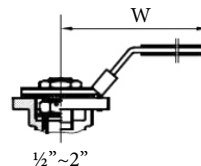
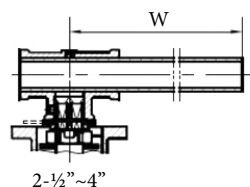
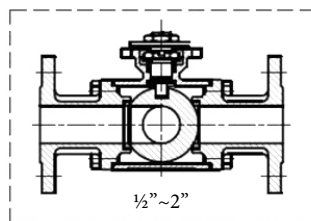
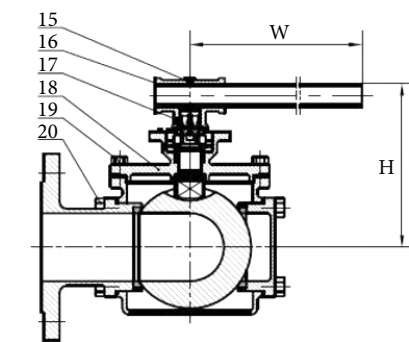
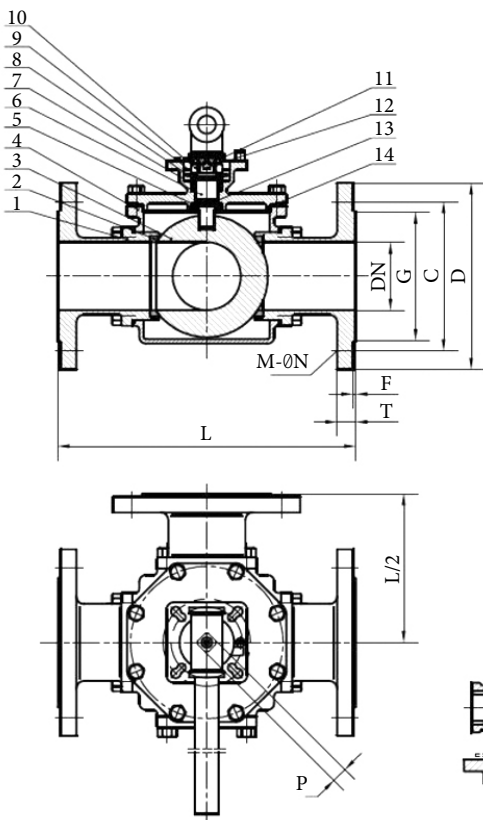


petroind.com

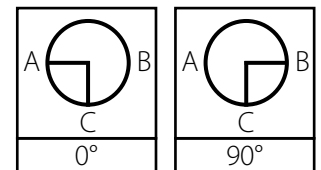


DIMENSIONS:

Size	DN	D	C	G	T	F	L	H	W	M-N	P	ISO5211	Torque NM	Weight (kg)
½"	15	89	60.5	35	11.2	1.6	152	70	120	4-16	9	F03/F04	9	2.95
¾"	20	98	70	43	11.2	1.6	167	82	160	4-16	11	F04/F05	14	4
1"	25	108	79.5	51	12	1.6	190	86	160	4-16	11	F04/F05	16	5.35
1 ¼"	32	117	89	64	12.7	1.6	208	104	185	4-16	14	F05/F07	26	8.26
1 ½"	40	127	98.5	73	14.3	1.6	220	110	185	4-16	14	F05/F07	32	10.75
2 "	50	152	120.5	92	15.9	1.6	254	133	250	4-19	17	F07/F10	60	17
2 ½"	65	178	139.5	105	17.5	1.6	292	200	500	4-19	22	F10/F12	92	31.4
3"	80	190.5	152.5	127	19.1	1.6	305	216	500	4-19	22	F10/F12	121	55
4"	100	229	190.5	157	23.9	1.6	369	230	650	8-19	22	F10/F12	180	65



"L" Port Configuration



"T" Port Configuration

