



## 3 WAY FLANGED ACTUATED BALL VALVES

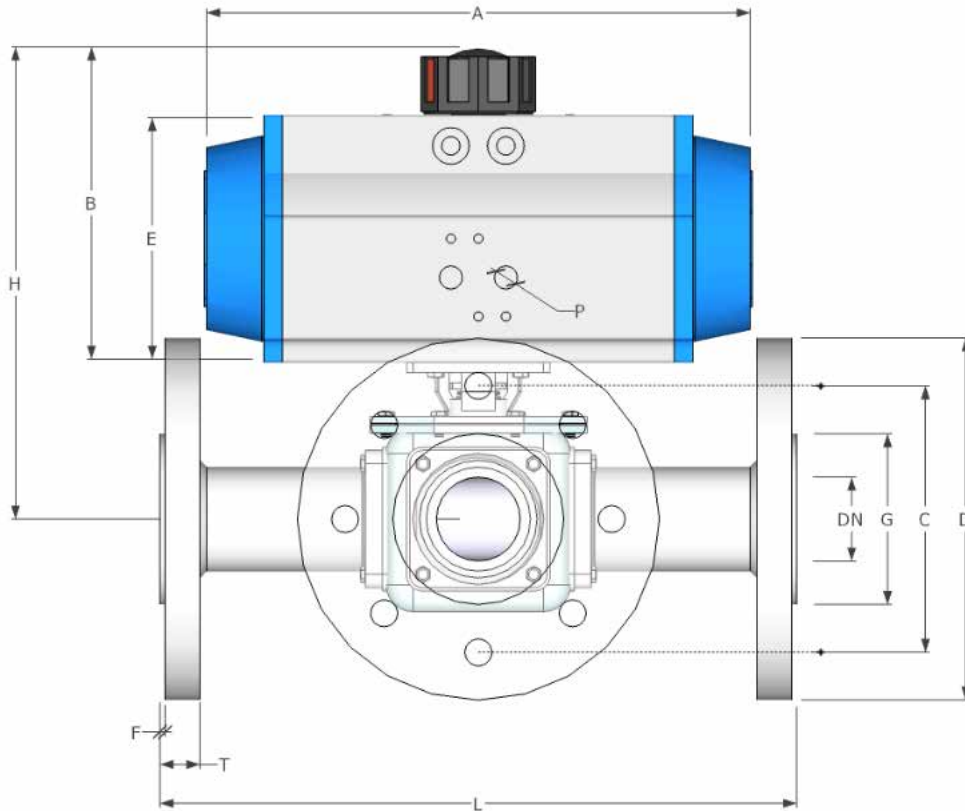
Item code: BV3WF-ACT-SUP1

### FEATURES:

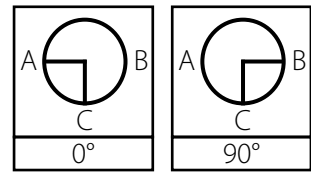
- High performance 3 way full bore 316 Stainless Steel ball valve with ANSI 150 flanged connections and a double acting pneumatic actuator.
- Self adjusting stem packing assembly with belleville spring for temperature fluctuations and vibration.
- Pre drilled metric ISO5211 direct mounting pad to minimise any thermal transfer from valve to actuator.
- Reinforced PTFE seats for temperatures up to 180°C.
- Anodized aluminium rack and pinion actuator with visual indicator, namur interface and stop adjustments.
- Typical applications include water treatment, chemical, marine, petrochemical and general industry.

### ANSI 150 3 WAY FLANGED DOUBLE ACTING:

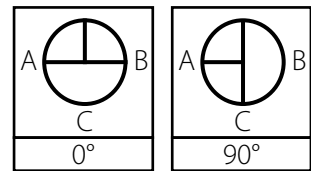
Model	DN (mm)	Actuator	Media Pressure	Media Temperature	Actuator Pressure
BLS3L4FA-DA-RT	15	DA50	Vacuum to 20 Bar	-20°C to 180°C	6 to 8 Bar
BLS3L5FA-DA-RT	20	DA63	Vacuum to 20 Bar	-20°C to 180°C	6 to 8 Bar
BLS3L6FA-DA-RT	25	DA63	Vacuum to 20 Bar	-20°C to 180°C	6 to 8 Bar
BLS3L7FA-DA-RT	32	DA75	Vacuum to 20 Bar	-20°C to 180°C	6 to 8 Bar
BLS3L8FA-DA-RT	40	DA75	Vacuum to 20 Bar	-20°C to 180°C	6 to 8 Bar
BLS3L9FA-DA-RT	50	DA88	Vacuum to 20 Bar	-20°C to 180°C	6 to 8 Bar
BLS3L10FA-DA-RT	65	DA100	Vacuum to 20 Bar	-20°C to 180°C	6 to 8 Bar
BLS3L11FA-DA-RT	80	DA115	Vacuum to 20 Bar	-20°C to 180°C	6 to 8 Bar
BLS3L12FA-DA-RT	100	DA125	Vacuum to 20 Bar	-20°C to 180°C	6 to 8 Bar



"L" Port Configuration



"T" Port Configuration



## DOUBLE ACTING – DIMENSIONS (mm):

Model	DN (mm)	Actuator	A	B	C	D	E	F	G	H	L	T
BLS3L4FA-DA-RT	15	DA50	138	90	60.5	89	70	1.6	35	134.5	152	11.2
BLS3L5FA-DA-RT	20	DA63	162	101	70	98	81	1.6	43	150	167	11.2
BLS3L6FA-DA-RT	25	DA63	162	101	79.5	108	81	1.6	51	155	190	12
BLS3L7FA-DA-RT	32	DA75	208	117	89	117	97	1.6	64	175.5	208	12.7
BLS3L8FA-DA-RT	40	DA75	208	117	98.5	127	97	1.6	73	180.5	220	14.3
BLS3L9FA-DA-RT	50	DA88	245	136	120.5	152	116	1.6	92	212	254	15.9
BLS3L10FA-DA-RT	65	DA100	266	142	139.5	178	122	1.6	105	231	292	17.5
BLS3L11FA-DA-RT	80	DA115	310	172	152.5	190.5	142	1.6	127	267.25	305	19.1
BLS3L12FA-DA-RT	100	DA125	340	184	190.5	229	154	1.6	157	298.5	369	23.9



## ANSI 150 3 WAY FLANGED SPRING RETURN:

Model	DN (mm)	Actuator	Media Pressure	Media Temperature	Actuator Pressure
BLS3L54FA-SR-RT	15	SR63	Vacuum to 20 Bar	-20°C to 180°C	6 to 8 Bar
BLS3L55FA-SR-RT	20	SR75	Vacuum to 20 Bar	-20°C to 180°C	6 to 8 Bar
BLS3L56FA-SR-RT	25	SR75	Vacuum to 20 Bar	-20°C to 180°C	6 to 8 Bar
BLS3L57FA-SR-RT	32	SR88	Vacuum to 20 Bar	-20°C to 180°C	6 to 8 Bar
BLS3L58FA-SR-RT	40	SR100	Vacuum to 20 Bar	-20°C to 180°C	6 to 8 Bar
BLS3L59FA-SR-RT	50	SR115	Vacuum to 20 Bar	-20°C to 180°C	6 to 8 Bar
BLS3L510FA-SR-RT	65	SR125	Vacuum to 20 Bar	-20°C to 180°C	6 to 8 Bar
BLS3L511FA-SR-RT	80	SR145	Vacuum to 20 Bar	-20°C to 180°C	6 to 8 Bar
BLS3L512FA-SR-RT	100	SR160	Vacuum to 20 Bar	-20°C to 180°C	6 to 8 Bar

## SPRING RETURN – DIMENSIONS (mm):

Model	DN (mm)	Actuator	A	B	C	D	E	F	G	H	L	T
BLS3L4FA-DA-RT	15	SR63	162	109	60.5	89	81	1.6	35	153.5	152	11.2
BLS3L5FA-DA-RT	20	SR75	208	118	70	98	97	1.6	43	167	167	11.2
BLS3L6FA-DA-RT	25	SR75	208	128	79.5	108	97	1.6	51	182	190	12
BLS3L7FA-DA-RT	32	SR88	245	137	89	117	116	1.6	64	195.5	208	12.7
BLS3L8FA-DA-RT	40	SR100	266	147	98.5	127	122	1.6	73	210.5	220	14.3
BLS3L9FA-DA-RT	50	SR115	310	172	120.5	152	142	1.6	92	248	254	15.9
BLS3L10FA-DA-RT	65	SR125	340	184	139.5	178	154	1.6	105	273	292	17.5
BLS3L11FA-DA-RT	80	SR145	401	209	152.5	190.5	179	1.6	127	304.25	305	19.1
BLS3L12FA-DA-RT	100	SR160	430	222	190.5	229	192	1.6	157	336.5	369	23.9



## FEATURES:

- High performance 3 way full bore 316 Stainless Steel ball valve with ANSI 150 flanged connections and a double acting pneumatic actuator.
- Self adjusting stem packing assembly with belleville spring for temperature fluctuations and vibration.
- Pre drilled metric ISO5211 direct mounting pad to minimise any thermal transfer from valve to actuator.
- Reinforced PTFE seats for temperatures up to 180°C.
- Anodized aluminium rack and pinion actuator with visual indicator, namur interface and stop adjustments.
- Typical applications include water treatment, chemical, marine, petrochemical and general industry.

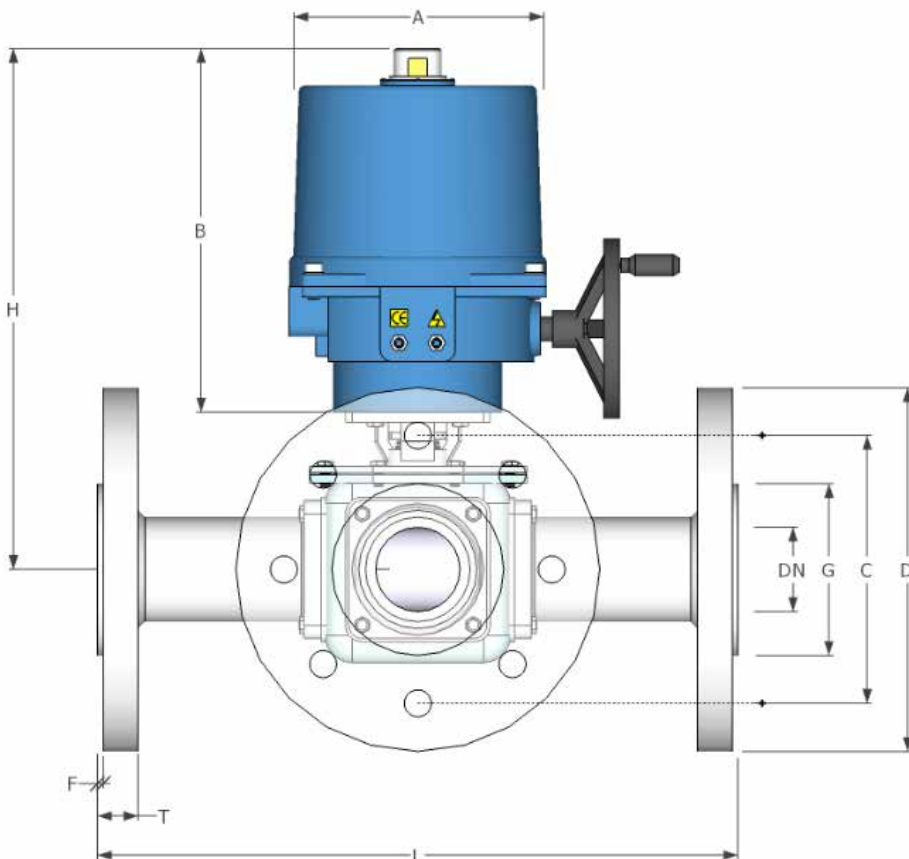
## ANSI 150 3 WAY FLANGED SPRING RETURN:

Model	DN (mm)	Actuator	Media Pressure	Media Temperature
BLS3L4FA-E*-RT	15	OM-1	Vacuum to 20 Bar	-20°C to 180°C
BLS3L5FA-E*-RT	20	OM-1	Vacuum to 20 Bar	-20°C to 180°C
BLS3L6FA-E*-RT	25	OM-1	Vacuum to 20 Bar	-20°C to 180°C
BLS3L7FA-E*-RT	32	OM-A	Vacuum to 20 Bar	-20°C to 180°C
BLS3L8FA-E*-RT	40	OM-2	Vacuum to 20 Bar	-20°C to 180°C
BLS3L9FA-E*-RT	50	OM-2	Vacuum to 20 Bar	-20°C to 180°C
BLS3L10FA-E*-RT	65	OM-3	Vacuum to 20 Bar	-20°C to 180°C
BLS3L11FA-E*-RT	80	OM-4	Vacuum to 20 Bar	-20°C to 180°C
BLS3L12FA-E*-RT	100	OM-4	Vacuum to 20 Bar	-20°C to 180°C

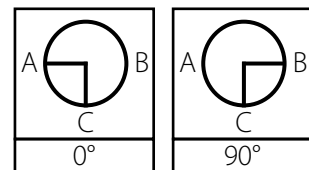


## SPRING RETURN – DIMENSIONS (mm):

Model	DN (mm)	Actuator	A	B	C	D	F	G	H	L	T
BLS3L4FA-E*-RT	15	0M-1	108	155	60.5	89	1.6	35	199.5	152	11.2
BLS3L5FA-E*-RT	20	0M-1	108	155	70	98	1.6	43	204	167	11.2
BLS3L6FA-E*-RT	25	0M-1	108	155	79.5	108	1.6	51	209	190	12
BLS3L7FA-E*-RT	32	0M-A	108	200	89	117	1.6	64	258.5	208	12.7
BLS3L8FA-E*-RT	40	0M-2	200	290	98.5	127	1.6	73	353.5	220	14.3
BLS3L9FA-E*-RT	50	0M-2	200	290	120.5	152	1.6	92	366	254	15.9
BLS3L10FA-E*-RT	65	0M-3	200	290	139.5	178	1.6	105	379	292	17.5
BLS3L11FA-E*-RT	80	0M-4	234	315	152.5	190.5	1.6	127	410.25	305	19.1
BLS3L12FA-E*-RT	100	0M-4	234	315	190.5	229	1.6	157	429.5	369	23.9



"L" Port Configuration



"T" Port Configuration

