



Full Bore Scr BSP

## NICKEL PLATED BRASS ACTUATED BALL VALVES

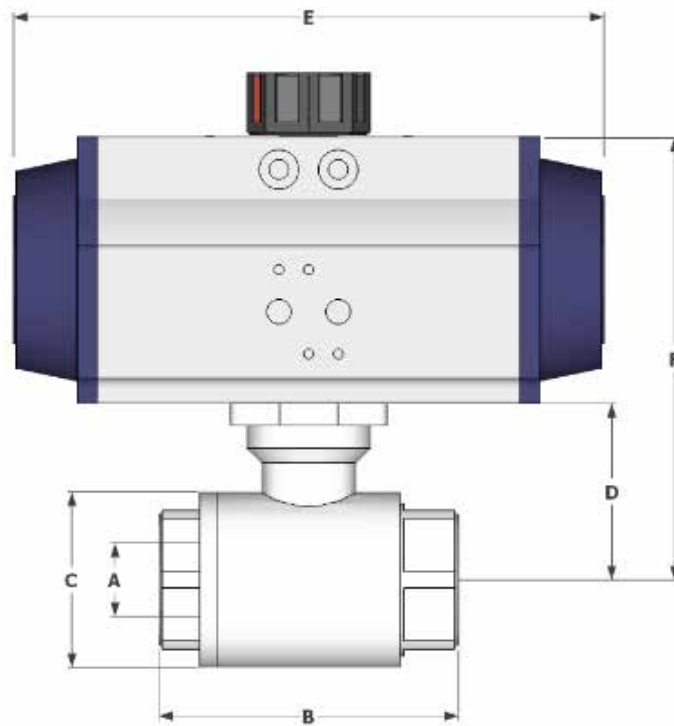
Item code: BVB-ACT-SUP1

Range of Double Acting Air, Spring Return Air or Electric Actuated Ball Valves.

- Economical 2 way brass ball valve.
- Direct pad mount to eliminate dirt ingress into bearings.
- Viton - Good with hydrocarbons, acids and chemicals (stem O-ring).
- Teflon - Has a wide range of chemical compatability (seats).
- Typical applications include control of water, compressed air, gases, non-corrosive fluids and general industry.

### DOUBLE ACTING PNEUMATIC – SPECIFICATIONS:

Model	Size BSP	Orifice (mm)	Actuator	Media Pressure	Media Temperature	Actuator Pressure	Material of Construction
BLB4B-DA-T	1/2	15	DA32	Vacuum to 16 Bar	-10°C to 100°C	6 to 8 Bar	2 piece Nickel Plated Brass Body RTFE seat (Teflon) Viton Seals Double Acting Aluminium Actuator
BLB5B-DA-T	3/4	20	DA32				
BLB6B-DA-T	1	25	DA32				
BLB7B-DA-T	1¼	32	DA32				
BLB8B-DA-T	1 ½	40	DA52				
BLB9B-DA-T	2	50	DA52				
BLB10B-DA-T	2 ½	65	DA63				
BLB11B-DA-T	3	80	DA63				
BLB12B-DA-T	4	100	DA85				



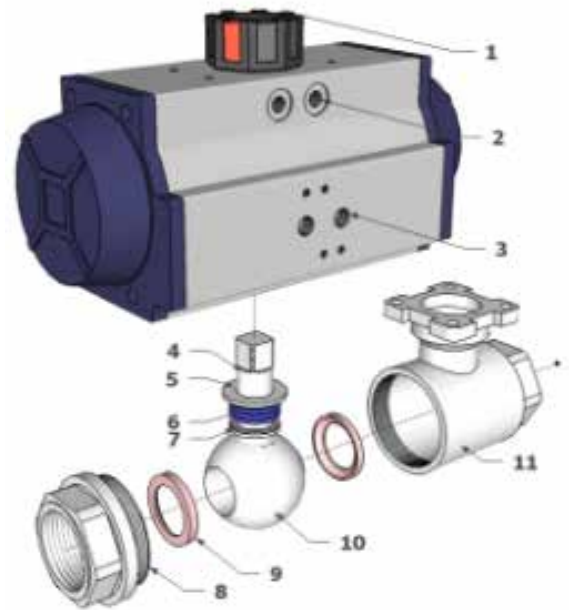
## DOUBLE ACTING PNEUMATIC – DIMENSIONS (mm):

Model	Actuator	A Orifice (mm)	B	C	E	F
BLB4B-DA-T	DA32	15	67	34	139.5	100
BLB5B-DA-T	DA32	20	76	40	139.5	102
BLB6B-DA-T	DA32	25	90	48	139.5	113
BLB7B-DA-T	DA32	32	102	60	139.5	116
BLB8B-DA-T	DA52	40	114	72	139.5	158
BLB9B-DA-T	DA52	50	138	92	139.5	168
BLB10B-DA-T	DA63	65	157	112	162	193
BLB11B-DA-T	DA63	80	188	136	162	202
BLB12B-DA-T	DA85	100	225	166	237	249



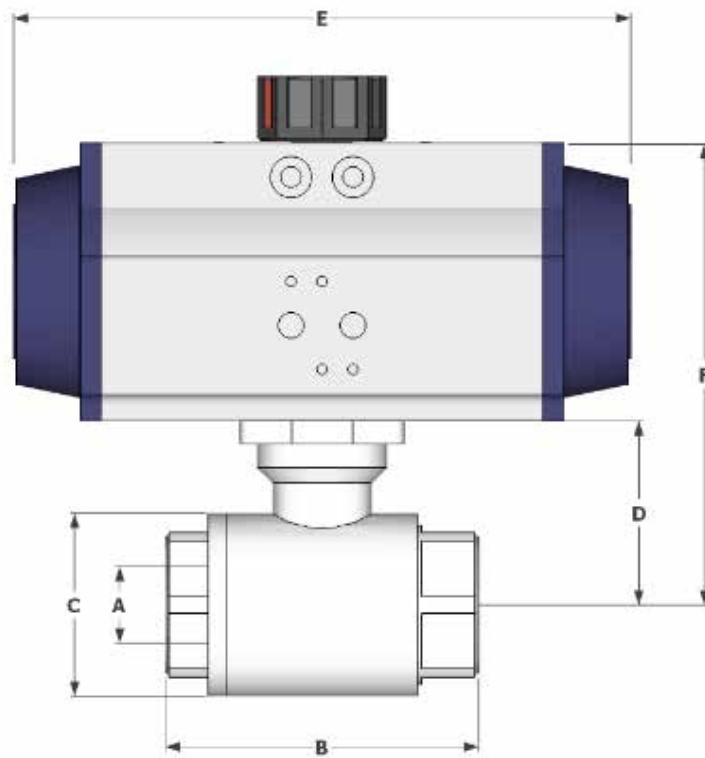
## DOUBLE ACTING PNEUMATIC – CONSTRUCTION:

Item	Article	Material
1	Visual Indicator	UV Stabilised Thermo Plastic
2	Stops	Stainless Steel
3	Inlet Ports/Namur Interface	Anodised Aluminium
4	Drive	Nickel Plated Brass
5	Chevron Seals	PTFE
6	Backing O-ring	Viton
7	Thrust Washer	PTFE
8	End Piece	Nickel Plated Brass
9	Seat	PTFE
10	Ball	316 Stainless Steel
11	Body	Nickel Plated Brass



## SPRING RETURN PNEUMATIC (AIR TO OPEN AND SPRING TO CLOSE) - SPECIFICATIONS:

Model	Size BSP	Orifice (mm)	Actuator	Media Pressure	Media Temperature	Actuator Pressure	Material of Construction
BLB4B-SR-T	1/2	15	SR52	Vacuum to 16 Bar	-10°C to 100°C	6 to 8 Bar	2 piece, Nickel Plated Brass Body RTFE seat (Teflon) Viton Deals Spring Return Aluminium Actuator
BLB5B-SR-T	3/4	20	SR52				
BLB6B-SR-T	1	25	SR52				
BLB7B-SR-T	1 ¼	32	SR52				
BLB8B-SR-T	1 ½	40	SR63				
BLB9B-SR-T	2	50	SR63				
BLB10B-SR-T	2 ½	65	SR85				
BLB11B-SR-T	3	80	SR85				
BLB12B-SR-T	4	100	SR100				



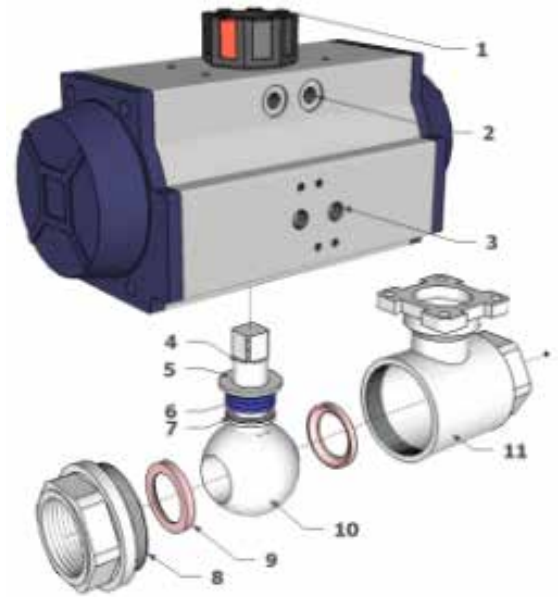
## SPRING RETURN PNEUMATIC – DIMENSIONS (mm):

Model	Actuator	A Orifice (mm)	B	C	E	F
BLB4B-SR-T	SR52	15	67	34	139.5	127
BLB5B-SR-T	SR52	20	76	40	139.5	129
BLB6B-SR-T	SR52	25	90	48	139.5	140
BLB7B-SR-T	SR52	32	102	60	139.5	143
BLB8B-SR-T	SR63	40	114	72	162	169
BLB9B-SR-T	SR63	50	138	92	162	179
BLB10B-SR-T	SR85	65	157	112	237.5	218
BLB11B-SR-T	SR85	80	188	136	237.5	227
BLB12B-SR-T	SR100	100	225	166	237.5	262



## SPRING RETURN PNEUMATIC – CONSTRUCTION:

Item	Article	Material
1	Visual Indicator	UV Stabilised Thermo Plastic
2	Stops	Stainless Steel
3	Inlet Ports/Namur Interface	Anodised Aluminium
4	Drive	Nickel Plated Brass
5	Chevron Seals	PTFE
6	Backing O-ring	Viton
7	Thrust Washer	PTFE
8	End Piece	Nickel Plated Brass
9	Seat	PTFE
10	Ball	316 Stainless Steel
11	Body	Nickel Plated Brass



## ELECTRICALLY ACTUATED (ON / OFF AND MODULATING) - SPECIFICATIONS:

Model	Size BSP	Orifice (mm)	Actuator	Media Pressure	Media Temperature	Material of Construction	Voltage Available
BLB4B-E-T	1/2	15	OM-1	Vacuum to 16 Bar	-10°C to 100°C	2 piece, Nickel Plated Brass Body  RTFE seat (Teflon) Viton Seals  IP67 Electric Actuator (with extra limit switches & man override except for OM-A)	12vDC 24vDC 24vAC 110vAC 240vAC 415vAC
BLB5B-E-T	3/4	20	OM-1				
BLB6B-E-T	1	25	OM-1				
BLB7B-E-T	1¼	32	OM-1				
BLB8B-E-T	1 ½	40	OM-1				
BLB9B-E-T	2	50	OM-1				
BLB10B-E-T	2 ½	65	OM-A				
BLB11B-E-T	3	80	OM-2				
BLB12B-E-T	4	100	OM-2				



OM-1

OM-2

OM Series

## 90° TURN ELECTRIC ACTUATOR IP67 WEATHER PROOF

The OM series is a robust range of 1/4 turn electric actuators suitable for the on/off activation of Ball or Butterfly valves.

A powerful motor with inbuilt thermal protection drives a pre-lubricated heavy duty steel gear train running in bronze bushes. They are encased in a powder coated die cast protective housing that has an IP67 rating (dust tight and submersible for limited periods).

All models have a visual position indicator and a manual override.

The ISO 5211 mounting and female square drive allows direct coupling to valves with a similar configuration. Standard models drive through 900 and can be fitted with voltage free contacts for end of stroke feedback. Positioner models with 4-20mA or 2-10v modulating control are also available in all sizes.

### STANDARD FEATURES:

- IP67 weatherproof rating and Humidity up to 95%.
- Ambient temp. -5°C ... +60°C.
- Duty cycle is 30% to 75% depending on ambient temperature, voltage and actuator model, and relates to the 135°C thermal (some modulating versions have a 75% duty cycle).
- Always allow a 35% safety margin when sizing torque requirements.

### OPTIONAL FEATURES:

- Torque limit switch (overload protection).
- Anti-condensation heater - 15 watt.
- Two SPOT voltage free micro switches and cams (end of stroke feedback).
- Potentiometer and position transmitter (4-20mA feedback).
- Modulating control (4-20mA or 2-10V input and feedback).

# PETRO INDUSTRIAL



petroind.com



## OM SERIES – SPECIFICATIONS:

Model	Torque Nm	Time (sec) 90°		(AMP) 12v AC/DC		(AMP) 24v AC/DC		(AMP) 110v AC		(AMP) 240v AC		(AMP) 415v	
		AC	DC	Run	Start	Run	Start	Run	Start	Run	Start	Run	Start
OM-1	35	13*	15	0.5	3	0.6	0.8	0.5	1.5	0.3	1	-	-
OM-AL	50	24*	24	0.5	3	0.7	0.8	0.5	1.5	0.3	1	-	-
OM-2	90	17	15	3.4	5	3	5	1	3	0.5	1.5	0.4	1.3
OM-3	150	26	22	3.4	5	3	5	1	3	0.5	1.5	0.4	1.3
OM-4	400	18	16	7.5	12	6	8	1.3	3.1	0.6	1.5	0.8	2.5
OM-5	500	25	22	8.0	13	6.5	8	1.5	3	0.7	1.5	0.8	2.5
OM-6	650	31	28	8.5	14	7.5	8	1.8	3	0.8	1.5	0.8	2.5
OM-7	1000	55	46	-	-	7	8	3.2	12	1.6	4	0.4	0.6
OM-8	1500	55	46	-	-	7.5	8	4	14	2	3.6	0.6	0.8
OM-9	2000	70	58	-	-	7	8	3.2	12	1.6	5	0.4	0.6
OM-10	2500	70	58	-	-	7.5	8	4	12	2	4	0.4	0.6
OM-11	3000	70	58	-	-	10	10	3	10	1.6	4	0.6	0.8
OM-12	3500	70	58	-	-	15	15	4	14	2.2	4	0.6	0.8

\*For 24vAC use the DC Speed

## OM SERIES – DIMENSIONS (mm):

Model	A	B	C	ISO 5211 Mounting	SQ Drive Female	ADJ. Stops	Manual Override
OM-1	108	155	-	FO3 / FO5	14	No	Spanner Drive
OM-AL	108	200	-	FO7	14	No	Lever
OM-2	200	290	330	FO7	22	Yes	Hand Wheel
OM-3	200	290	330	FO7	22		
OM-4	234	315	380	F10	35		
OM-5	234	315	380	F10	35		
OM-6	234	315	380	F10	35		
OM-7	234	420	520	F12 / F14	Ø65		
OM-8	234	420	520	F12 / F14	Ø65		
OM-9	260	590	540	F12 / F16	Ø75		
OM-10	260	590	540	F12 / F16	Ø75		
OM-11	260	590	540	F12 / F16	Ø75		
OM-12	260	590	540	F12 / F16	Ø75		

