



4344 MISSION BLVD.
(909) 627-0981

FAX (909) 628-3774

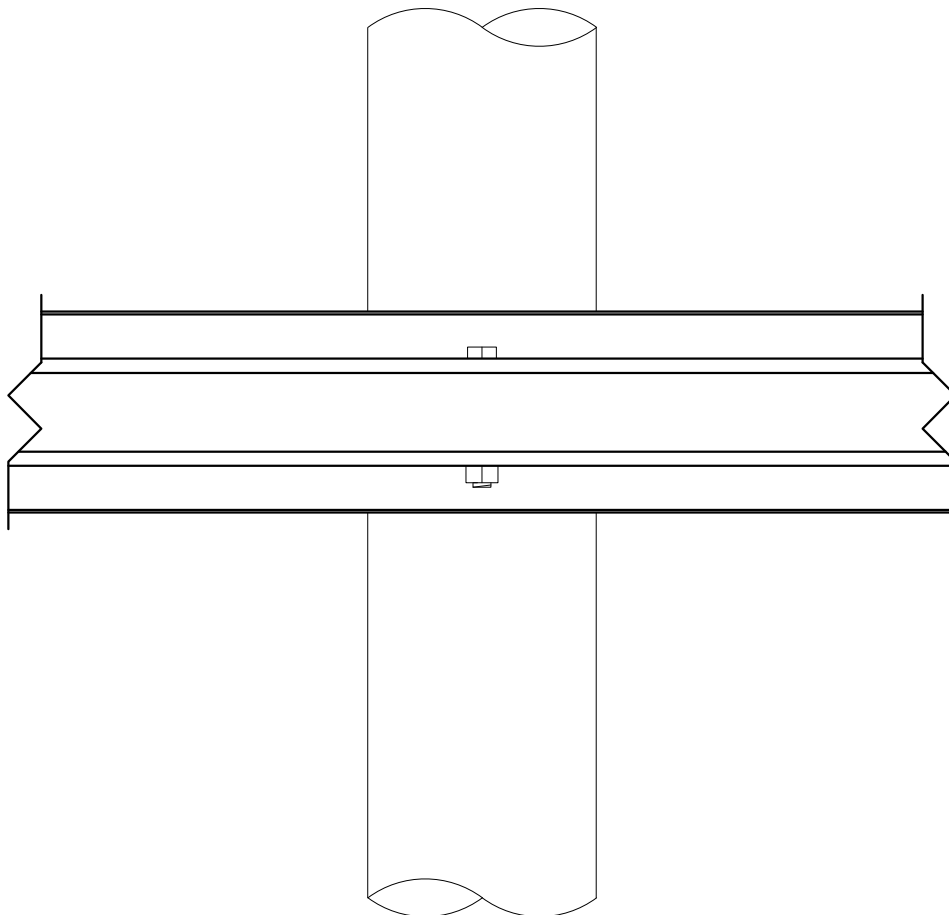
MONTCLAIR, CA. 91763
(800) 377-8441

SERVING AGRICULTURE SINCE 1946

A DIVISION OF JOHN L. CONLEY, INC.

GENERAL CONTRACTORS LICENSE NO. 323391-B

SIDEWALL AND ENDWALL GIRT INSTALLATION GREEN HOUSE SYSTEM



SUPPLEMENTAL
INSTRUCTION MANUAL
